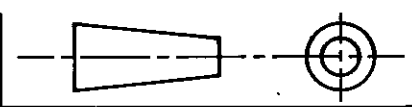
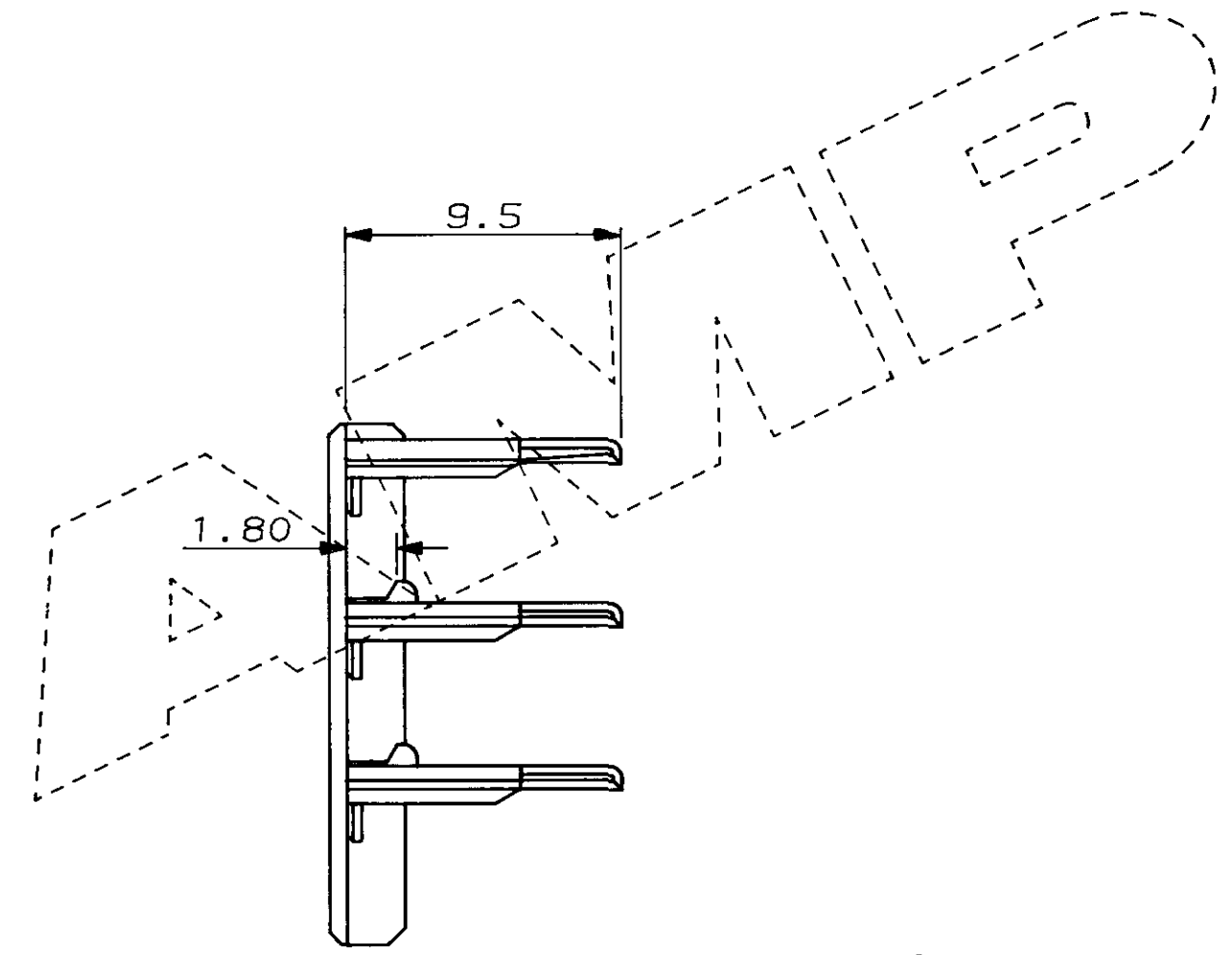
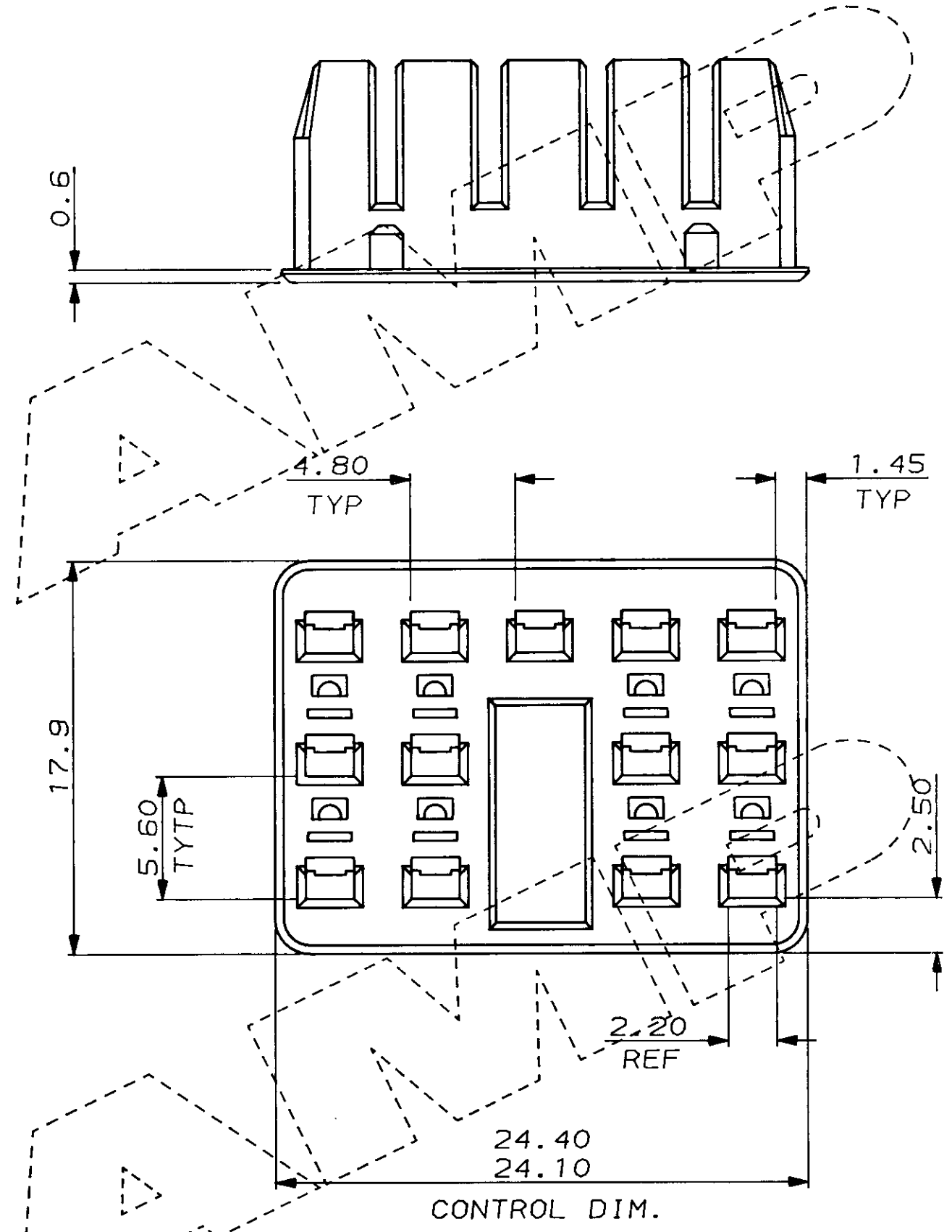



DO NOT SCALE | DIMENSIONS IN MM.



C.A.D. FILE CODE
S.C344264.B



FOR REFERENCE ONLY
WILL NOT BE UP-DATED

YELLOW		NYLON 6.6		344264-1	
FINISH		MATERIAL		PART NUMBER	
CUSTOMER DWG FOR REFERENCE ONLY		© COPYRIGHT 1987 BY AMP OF GREAT BRITAIN LTD. ALL INTERNATIONAL RIGHTS RESERVED. ALL PRODUCTS MAY BE COVERED BY BRITISH AND FOREIGN PATENTS AND/OR PATENTS PENDING.		RELEASED FOR PUBLICATION 06 NOV 1987	
-	-	-	-	TOLERANCES UNLESS OTHERWISE STATED : DEC ± 0.5 ANGLES ± 1°	
-	-	-	-	DR. R. S.	6.11.87
-	-	-	-	CH. R. J. S.	APP. B. J.
-	-	-	-	 AMP of Great Britain Ltd.	
B	UPDATED	CS241	15.8.88	NAME A/BACKOUT FOR 13 WAY REC. HSG. ECONOSEAL 3 LOW CURRENT	
A	UPDATED	CS014	2.8.88		
O	REL. FOR PROD.	C4898	17.3.88	SCALE	LOC
REV	APPROVED	ECN	DATE	SIZE	DWG.No.
				4/1	E A3
					C344264
				REV	SHEET
				B	1/1