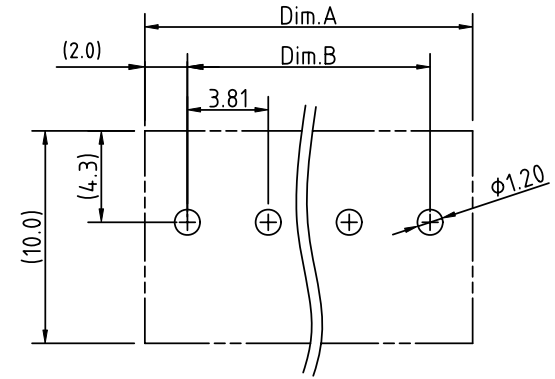
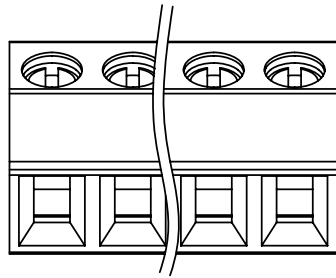
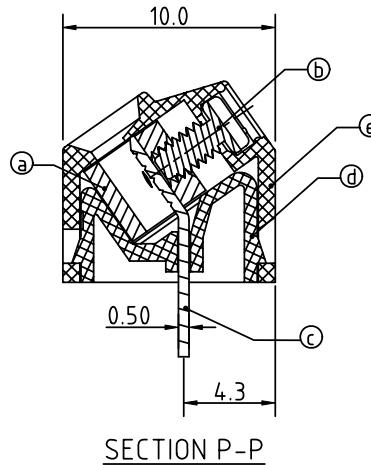
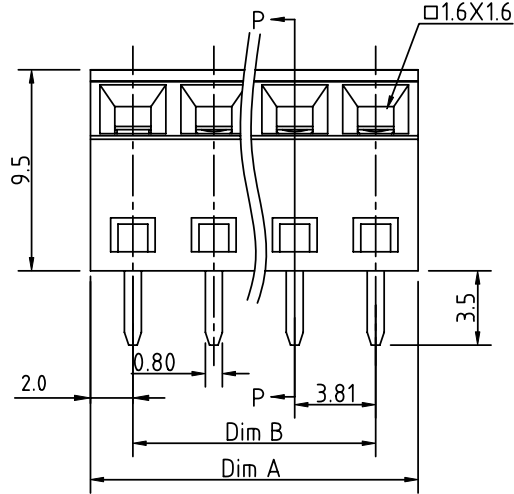


PRODUCT NUMBER	PITCH
TVxx31x000JOG	3.81mm



RECOMMENDED P.C.B LAYOUT
TOP VIEW



SECTION P-P

Material

- Item (a) Terminal body(metal housing): Brass(CuZn) Ni plated
- Item (b) Terminal screw: Steel Zinc plating "-" slot type
- Item (c) Contacts: Brass, Tin plated
- Item (d) Insulator (Cover): Thermoplastic (UL94V-0)
- Item (e) Insulator (Body): Thermoplastic (UL94V-0)

Electrical cULus

- Voltage rating: 300VAC
- Current rating: 10A
- Wire range:
 - Solid wire(AWG): 16-28
 - Stranded wire(AWG): 16-28
- Torque(Lb-In): 1.7
- Screw: M2
- Wire strip length: 5-6mm
- Withstanding Voltage: 1.6KV
- Operating temperature: -40°C to +115°C
- Soldering temperature: 260°C±5°C/5 Sec
- Safety Approval:

N = Number of poles
Dim A=Nx3.81
Dim B=(N-1)x3.81

Poles	Dim A	Dim B
2-6p	±0.20	±0.15
7-12p	±0.25	±0.20
13-18p	±0.30	±0.25
19-24p	±0.35	±0.30

PART NO.: TV xx 3 1 x 0 00JO G

Solid Block	0	Black (RAL9005)	RoHS compliant (lead<4%) In copper Alloy
No. of poles	2	Red (RAL3001/D)	
02	2 poles	3 Orange(RAL2011/P)	
03	3 poles	4 Yellow(RAL1018/A)	
...	...	5 Green(RAL6018/T)	
24	24 poles	6 Blue (RAL5015/A)	
		8 Grey(RAL7035/D)	
		9 White(RAL1102)	
		C Green(RAL6018/U)	

mat'l. code		surface ASME Y14.5	tolerance ASME Y14.5	projection	product family
ltr ecn no dr date		tolerances unless otherwise specified			TERMINAL BLOCK
		angles	X.±0.5	MM	title
		fil	X.X±0.3		TERMINAL BLOCK
		X*±1*	X.XX±0.1	scale	RISING CLAMP,55D WIRE INLET
		dr	EVIN ZHONG 040714		dwg no
		enr	EVIN ZHONG 040714		sheet 1 of 1
		chr	HANKE FENG 040714		size
		appd	SHI JUN 040714		A4
sheet index	revision sheet	A	1		type CUSTOMER Drawing