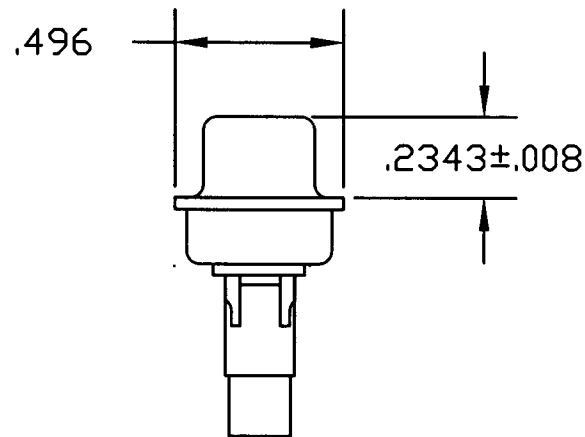
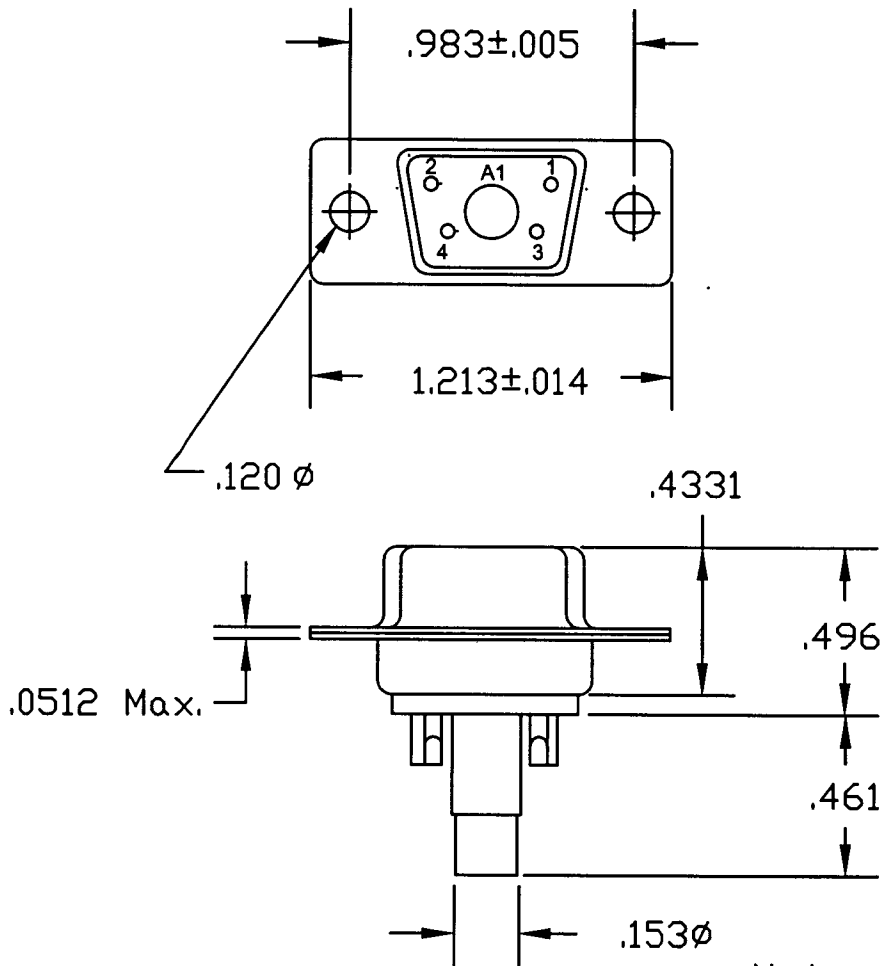


DESCRIPTION: 5W1 Female Connector - 75 Ohm Contact

Specification:

Shell: Steel, Tin Plated
 Insulator: PBT +30% Fibre-Glass,
 Black, UL 94V-0
 Contacts: Brass - Gold Flash
 Over Nickel

Current Rating: Signal - 5 Amps
 Coaxial Contact - 75 OHMS
 Contact Resistance: 15mOHMS MAX.
 Insulator Resistance: 1000 MOHMS MIN.
 Voltage: 500V AC for 1 minute
 Temperature: -50° C to +100°C



Note: Coaxial Contact must be ordered separately.
 75 OHM Coaxial Contact = Part Number 682-202-075-001



THESE DRAWINGS AND SPECIFICATIONS ARE THE PROPERTY OF NorComp AND SHALL NOT BE REPRODUCED, COPIED OR USED AS THE BASIS FOR THE MANUFACTURE OF APPARATUS WITHOUT WRITTEN PERMISSION.

NorComp

DRAWN: PAM JENKINS		DATE: 3-30-01	
CHECKED:		DATE:	
SCALE:	SHEET 1	OF 1	REV 1
DWG NO. 682-5W1-202-001			