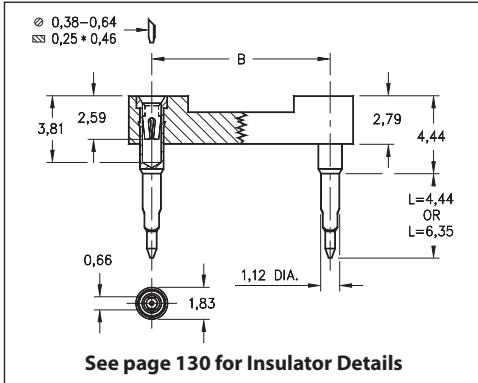
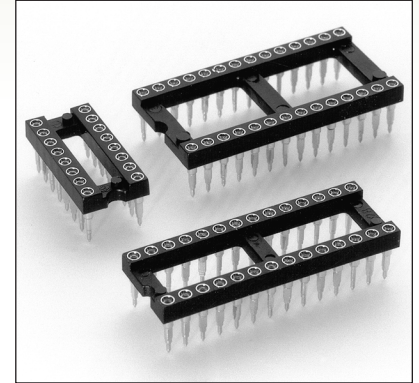


DUAL-IN-LINE SOCKETS

SERIES 104 • SOLDERLESS PRESS-FIT • OPEN FRAME



- Designed for solderless press-fit into plated through-holes
- Pin lengths are suitable for 1,57 and 2,36 - 3,18 thick panels
- Required plated through hole is 0,91 - 1,04. Use a 1.1mm drill prior to plating
- Series 104 uses MM #0477 or MM #0478 pins with a BeCu #30 contact, rated at 3 amps. See page 162 for details
- Insulators are high temperature thermoplastic
- For Electrical, Mechanical and Environmental Data, see page 264 for details



Total number of pins				Quantity per tube	ORDERING INFORMATION					
	A	B	C		L = 4,44 (for 1,57 thick panel)	L = 6,35 (for 3,18 thick panel)				
10	12,6	5,08	7,6	40	104-XX-210-41-770000	104-XX-210-41-780000				
4	5,0	7,62	10,1	102	104-XX-304-41-770000	104-XX-304-41-780000				
6	7,6	7,62	10,1	67	104-XX-306-41-770000	104-XX-306-41-780000				
8	10,1	7,62	10,1	50	104-XX-308-41-770000	104-XX-308-41-780000				
10	12,6	7,62	10,1	40	104-XX-310-41-770000	104-XX-310-41-780000				
14	17,7	7,62	10,1	28	104-XX-314-41-770000	104-XX-314-41-780000				
16	20,3	7,62	10,1	25	104-XX-316-41-770000	104-XX-316-41-780000				
18	22,8	7,62	10,1	22	104-XX-318-41-770000	104-XX-318-41-780000				
20	25,3	7,62	10,1	20	104-XX-320-41-770000	104-XX-320-41-780000				
22	27,8	7,62	10,1	18	104-XX-322-41-770000	104-XX-322-41-780000				
24	30,4	7,62	10,1	16	104-XX-324-41-770000	104-XX-324-41-780000				
28	35,5	7,62	10,1	14	104-XX-328-41-770000	104-XX-328-41-780000				
20	25,4	10,16	12,7	20	104-XX-420-41-770000	104-XX-420-41-780000				
22	27,8	10,16	12,7	18	104-XX-422-41-770000	104-XX-422-41-780000				
24	30,4	10,16	12,7	16	104-XX-424-41-770000	104-XX-424-41-780000				
28	35,5	10,16	12,7	14	104-XX-428-41-770000	104-XX-428-41-780000				
32	40,6	10,16	12,7	12	104-XX-432-41-770000	104-XX-432-41-780000				
24	30,4	15,24	17,7	16	104-XX-624-41-770000	104-XX-624-41-780000				
28	35,5	15,24	17,7	14	104-XX-628-41-770000	104-XX-628-41-780000				
32	40,6	15,24	17,7	12	104-XX-632-41-770000	104-XX-632-41-780000				
36	45,7	15,24	17,7	11	104-XX-636-41-770000	104-XX-636-41-780000				
40	50,8	15,24	17,7	10	104-XX-640-41-770000	104-XX-640-41-780000				
42	53,3	15,24	17,7	9	104-XX-642-41-770000	104-XX-642-41-780000				
48	60,9	15,24	17,7	8	104-XX-648-41-770000	104-XX-648-41-780000				
50	63,5	15,24	17,7	8	104-XX-650-41-770000	104-XX-650-41-780000				
52	66,0	15,24	17,7	7	104-XX-652-41-770000	104-XX-652-41-780000				
50	63,5	22,86	25,3	8	104-XX-950-41-770000	104-XX-950-41-780000				
52	66,0	22,86	25,3	7	104-XX-952-41-770000	104-XX-952-41-780000				
64	81,2	22,86	25,3	6	104-XX-964-41-770000	104-XX-964-41-780000				
SPECIFY PLATING CODE XX =					11	13				
Sleeve (Pin)					0,25µm Au	0,25µm Au				
Contact (Clip)					0,25µm Au	0,76µm Au				



XX=Plating Code
See Below

