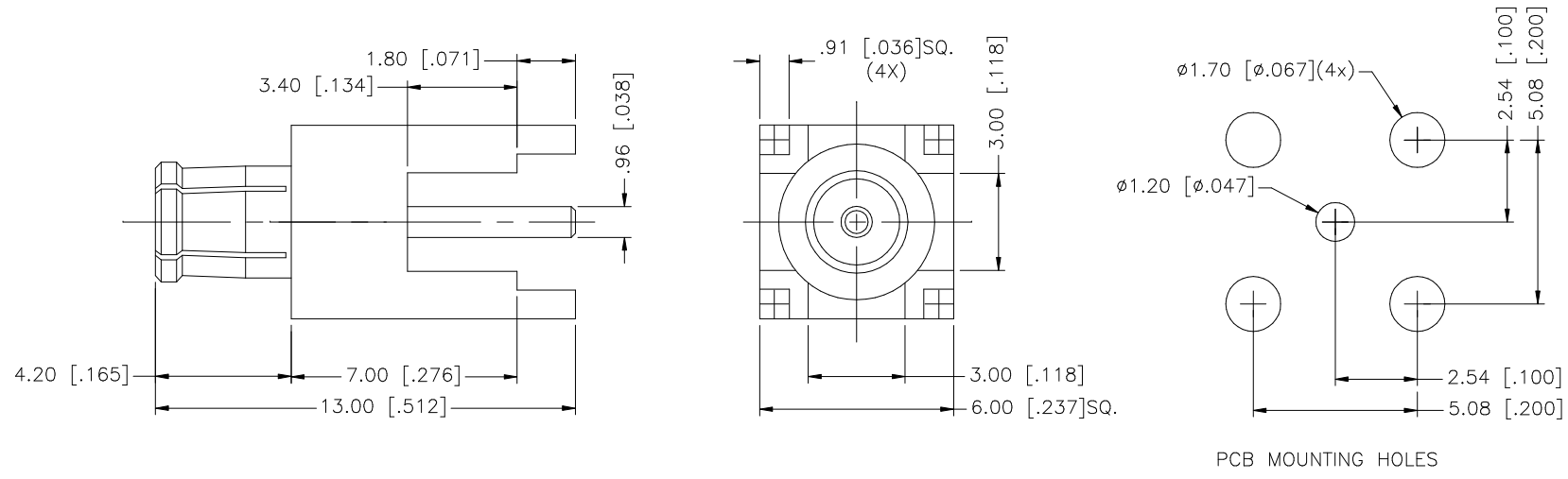


REV.	DATE	DESCRIPTION
A	04/31/03	UPDATE DRAWING FORMAT



8					UNLESS OTHERWISE SPECIFIED DIMENSIONS ARE IN MILLIMETERS. DIMENSIONS IN [ ] ARE IN INCHES AND FOR CUSTOMER REFERENCE ONLY.	APPROVALS	DATE	<b>Amphenol Connex</b>				
7						DRAWN	G.R.S.					04/31/03
6					UNLESS OTHERWISE SPECIFIED TOLERANCES FOR MILLIMETERS ARE: 0.5 - 8mm ± 0.20mm 8 - 30mm ± 0.40mm 30 - 120mm ± 0.50mm	CHECKED		PART DESCRIPTION <b>MCX P.C. BOARD RECEPTACLE PLUG</b>				
5						ISSUED						
4					UNLESS OTHERWISE SPECIFIED TOLERANCES FOR INCHES ARE: .020 - .315 = ± 0.007" .315 - 1.180 = ± 0.015" 1.180 - 4.724 = ± 0.020"	SHEET	1 OF 1	PART NO. <b>252153</b>				
3	CONTACT PIN	BRASS	GOLD	1		CAD FILE	C:/252/252153.DWG					DWG. NO.
2	INSULATOR	TEFLON	NATURAL	1	DO NOT SCALE DRAWING							
1	HOUSING	BRASS	GOLD	1								