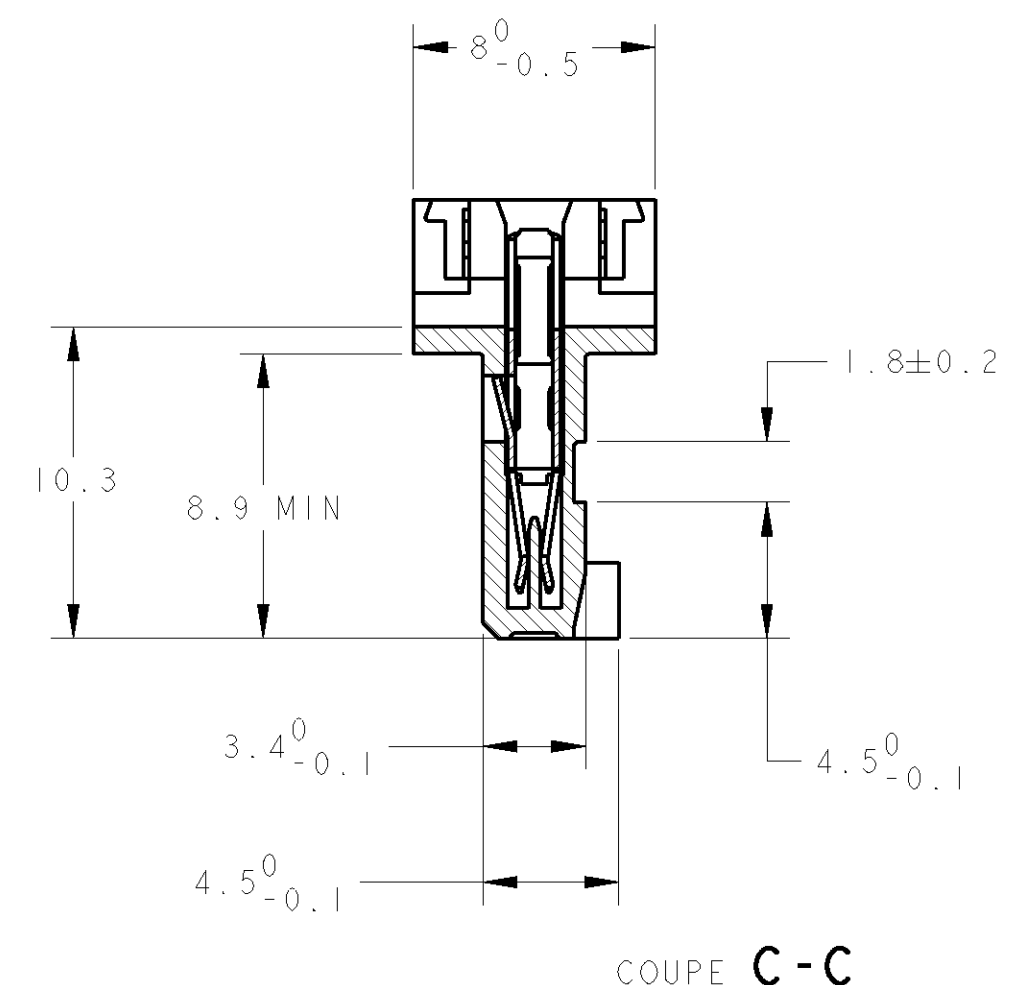
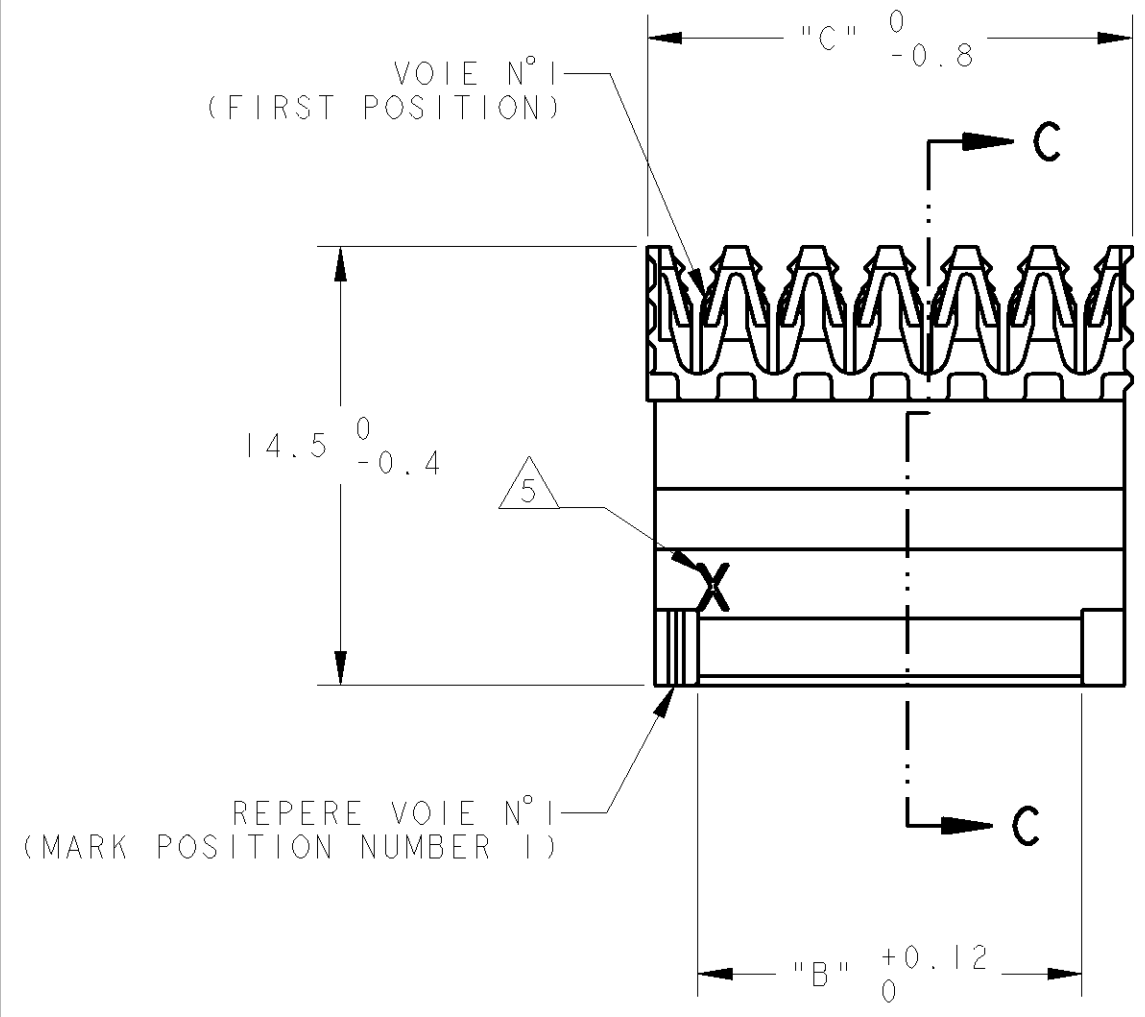
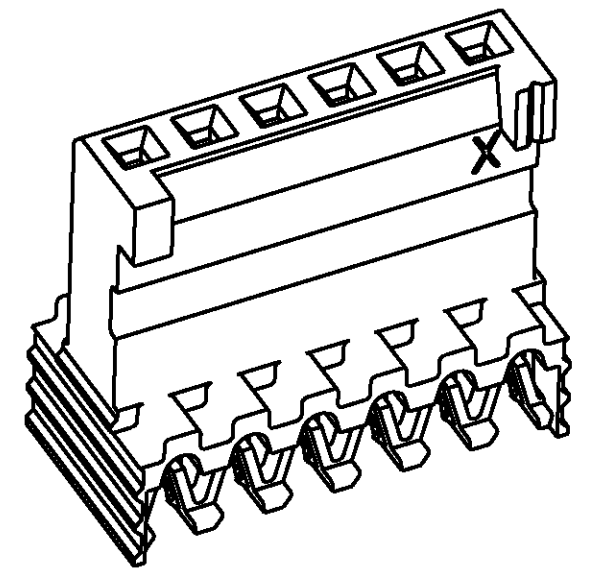
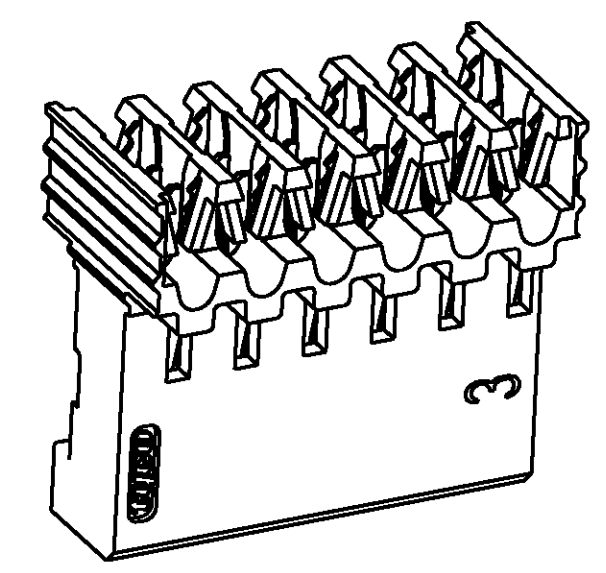
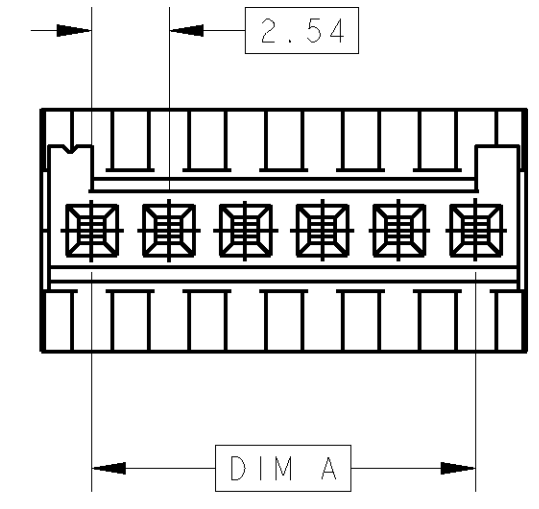


THIS DRAWING IS UNPUBLISHED. DIFFUSION RESTREINTE
 RELEASED FOR PUBLICATION LIBRE A LA DIFFUSION
 ALL RIGHTS RESERVED. TOUS DROITS RESERVES

FILS ADMISSIBLES (ACCEPTABLES WIRES)	
JAUGE (AWG) SECTION / 7 BRINS (7 STRANDS)	24 0.22mm ²
ISOLANT: Ø MAX / MATIERE (INSUL.: Ø MAX / MAT'L)	Ø 1.2 / PVC

LOC	DIST	REVISIONS					
F	7	P	LTR	DESCRIPTION MODIFICATIONS	DATE	DWN DESS.	APVD APP.
		D1		REVISED PER ECO-11-005150	27APR11	RK	HMR



OBSOLETE	9	64.30	68.96	25	2	201700-5	2	144270-5
OBSOLETE	9	61.76	58.42	24	2	201700-4	2	144270-4
OBSOLETE	10	59.22	55.00	23	2	201700-3	2	144270-3
OBSOLETE	10	56.68	53.34	22	2	201700-2	2	144270-2
OBSOLETE	10	54.14	50.00	21	2	201700-1	2	144270-1
OBSOLETE	11	51.60	48.26	20	2	201700-0	2	144270-0
OBSOLETE	12	49.06	45.72	19	1	201700-0	1	144270-0
	12	46.52	43.18	18	1	1-281708-8 *	1	1-144270-8 *
OBSOLETE	13	43.98	40.64	17	1	201700-7	1	144270-7
OBSOLETE	14	41.44	38.10	16	1	201700-6	1	144270-6
	15	38.90	35.56	15	1	1-281708-5 *	1	1-144270-5 *
OBSOLETE	16	36.36	33.02	14	1	201700-4	1	144270-4
OBSOLETE	17	33.82	30.48	13	1	201700-3	1	144270-3
	18	31.28	27.94	12	1	1-281708-2 *	1	1-144270-2 *
OBSOLETE	20	28.74	25.40	11	1	201700-1	1	144270-1
	20	26.20	22.86	10	1	1-281708-0 *	1	1-144270-0 *
OBSOLETE	25	23.66	20.32	9	0	201700-0	0	144270-0
	25	21.12	17.78	8	0	0-281708-8 *	0	0-144270-8 *
	30	18.58	15.24	7	0	0-281708-7	0	0-144270-7
	35	16.04	12.70	6	0	0-281708-6 *	0	0-144270-6 *
	40	13.50	10.16	5	0	0-281708-5 *	0	0-144270-5 *
	50	10.96	7.62	4	0	0-281708-4 *	0	0-144270-4 *
	70	8.42	5.08	3	0	0-281708-3 *	0	0-144270-3 *
	100	5.88	2.54	2	0	0-281708-2	0	0-144270-2
QUANT/TUBE		C	A,B		Nb DE POS	REFERENCES (PART No)		
		DIMENSIONS				4 VRAC (L.P.)		

- 1 CES CONNECTEURS SONT PREVUS POUR ETRE ACCOUPLES AVEC LES EMBASES 'HE1402' SIMPLE RANGEE
- 2 LES REFERENCES SUIVIES D'UN ' * ' SONT LES VERSIONS NORMALISEES SELON LA 'CEI 603-8'
- 3 REVETEMENT DES CONTACTS: ETAME
- 4 CONNECTEURS CONDITIONNES SOUS TUBE PVC
- 5 ' X ' EST REMPLACE PAR LE DEUXIEME CHIFFRE DES JAUGES AWG
- 6 MATIERES - BOITIER: PBT UL94V0
- CONTACTS: BRONZE PHOSPHOREUX.

- (THESE CONNECTEURS ARE DESIGNED TO BE MATED WITH 'HE1402' HEADERS SINGLE ROW)
- (THE PART-NO FOLLOWED BY ' * ' ARE COVERED BY THE INTERNATIONAL STANDARD 'IEC603-8')
- (THE CONTACTS ARE TIN PLATED)
- (THESE CONNECTEURS ARE PACKAGED IN TUBE)
- (' X ' REPLACED BY THE SECOND DIGIT OF AWG AS DEFINED IN TABLE)
- (MATERIALS - CASE: PBT UL94V0
- CONTACTS: PHOSPHOR BRONZE)

DWN/DESSINE 17NOV2000 C. COMBEDOUZON		TE Connectivity	
CHK/VERIFIE 17NOV2000 T. CORRIOU		HE 1402 PLUG, 90deg IDC SINGLE ROW	
APVD/APPROUVE 17NOV2000 Y. PETRONIN		NAME TITRE	
PRODUCT SPEC 108-15053		SIZE FORMAT A2	
APPLICATION SPEC 114-15030		CAGE CODE 00779	
WEIGHT MASSE APPROX. -		DRAWING NO No PLAN C-281708	
CUSTOMER DRAWING /PLAN CLIENT		RESTRICTED TO RESERVE A	
UNIFORMEMENT POUR REFERENCE		SHEET FEUILLE OF DE	
SCALE ECHELLE 4		REV D1	