

THIS DRAWING IS UNPUBLISHED. RELEASED FOR PUBLICATION  
 © COPYRIGHT BY TYCO ELECTRONICS CORPORATION. ALL RIGHTS RESERVED.

LOC	DIST	REVISIONS					
FT	0	P	LTR	DESCRIPTION	DATE	DWN	APVD
			F	REVISED PER ECO-10-004812	05MAY10	HMR	CR

**MATERIAL:**  
 HOUSING: THERMOPLASTIC, UL94V-0, BLACK.  
 TERMINAL: BRIGHT TIN PLATED COPPER ALLOY.  
 SCREW: 8-32, ZINC PLATED STEEL.

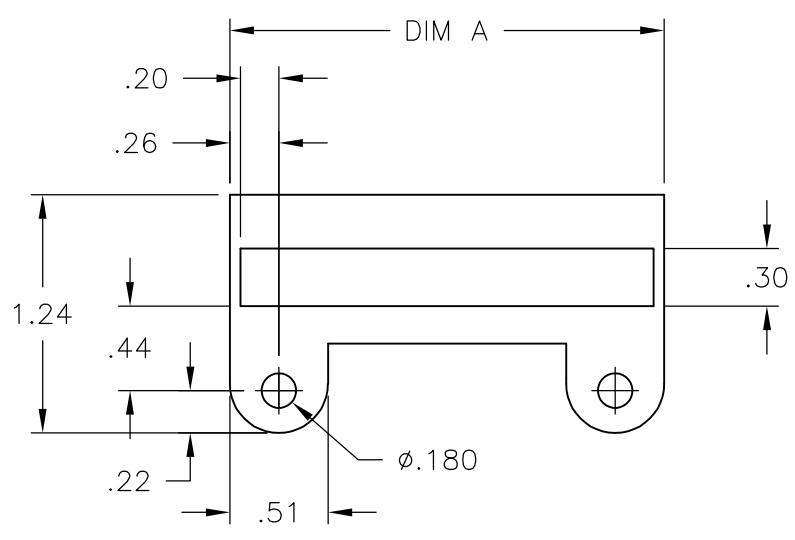
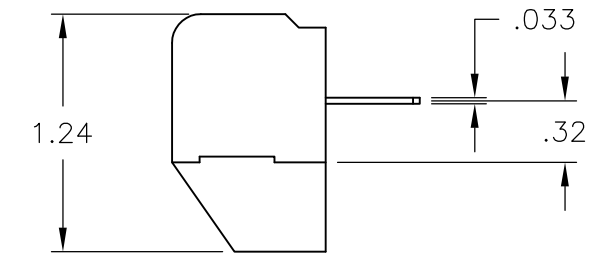
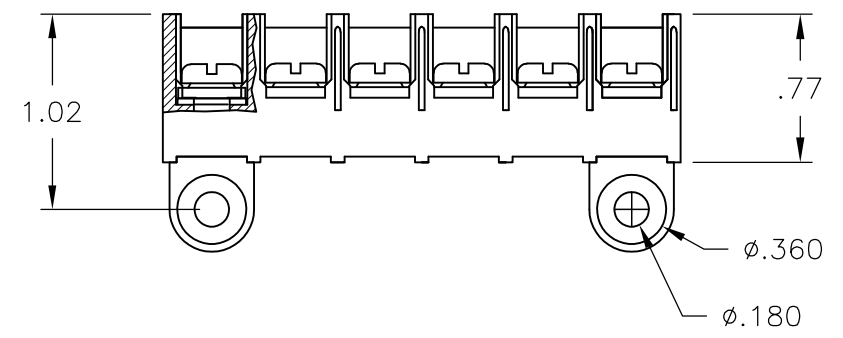
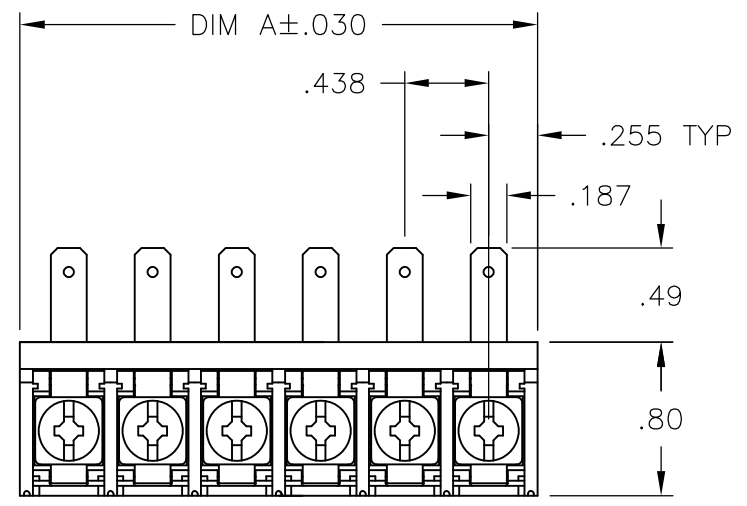
**ELECTRICAL:**  
 CURRENT RATING: 30A  
 VOLTAGE RATING: 600V  
 WIRE RANGE: 10-18 AWG (UL)  
 10-22 AWG (CSA)

**MECHANICAL:**  
 RECOMMENDED TORQUE: 20 IN-LB.  
 OPERATING TEMP.: -40°C TO +120°C.

1 INK MARKED APPROX AS SHOWN.

3 OBSOLETE PART NUMBER.

4 OBSOLETE PARTS: OBSOLETE CIS STREAMLINING PER D.RENAUD/D.SINISI



RECOMMENDED PANEL LAYOUT

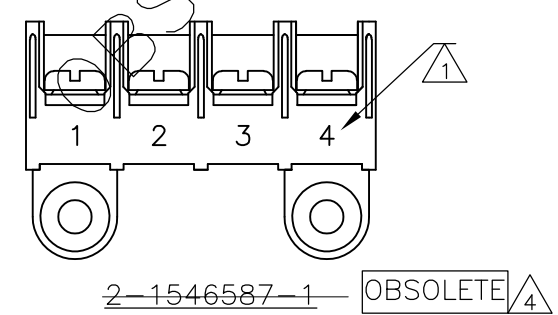
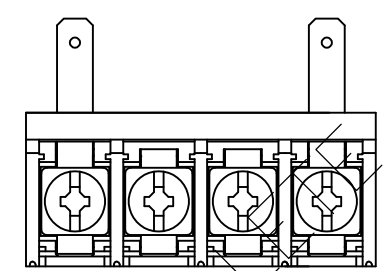
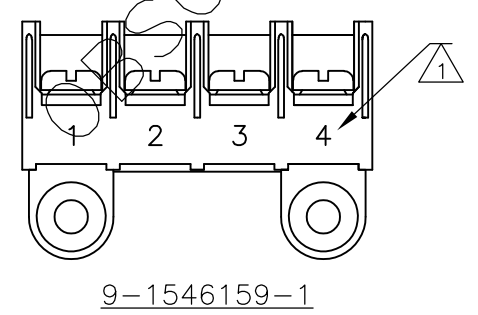
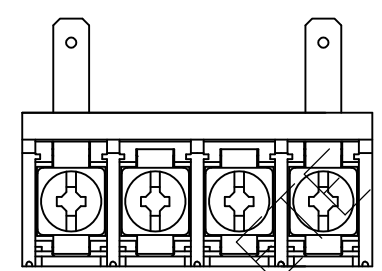
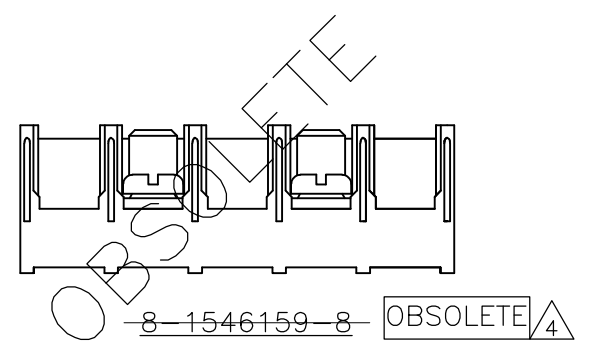
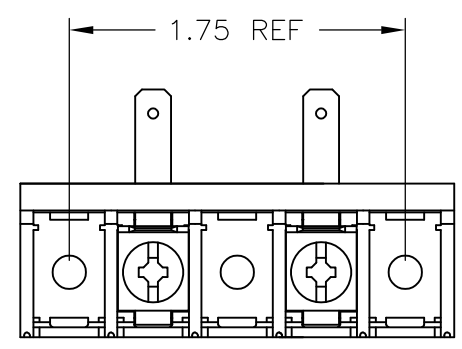
8.823	20	8QCR-20-006	2-1546587-0
8.385	19	8QCR-19-006	1-1546587-9
7.948	18	8QCR-18-006	1-1546587-8
7.510	17	8QCR-17-006	1-1546587-7
7.073	16	8QCR-16-006	1-1546587-6
6.635	15	8QCR-15-006	1-1546587-5
6.198	14	8QCR-14-006	1-1546587-4
5.760	13	8QCR-13-006	1-1546587-3
5.323	12	8QCR-12-006	1-1546587-2
4.885	11	8QCR-11-006	1-1546587-1
4.448	10	8QCR-10-006	1-1546587-0
4.010	9	8QCR-09-006	1546587-9
3.573	8	8QCR-08-006	1546587-8
3.135	7	8QCR-07-006	1546587-7
2.698	6	8QCR-06-006	1437659-6
2.260	5	8QCR-05-006	9-1546159-2
1.823	4	8QCR-04-661	2-1546587-4
1.823	4	8QCR-04-527	9-1546159-1
1.823	4	8QCR-04-006	9-1437658-5
1.385	3	8QCR-03-006	8-1546159-9
2.260	2	8QCR-02-302	8-1546159-8
.948	2	8QCR-02-006	1546587-2
DIM A	NO OF POS	CATALOG NUMBER	TE PART NO

SEE FIGURE 4 OBSOLETE  
 SEE FIGURE 3  
 SEE FIGURE 4 OBSOLETE

THIS DRAWING IS A CONTROLLED DOCUMENT.		DWN S SCHLEGEL 6/25/04	Tyco Electronics Corporation Harrisburg, Pa 17105-3608	
DIMENSIONS: INCHES		CHK S YODER 6/25/04		
TOLERANCES UNLESS OTHERWISE SPECIFIED:		APVD S YODER 6/25/04	NAME	
0 PLC ± -		PRODUCT SPEC		
1 PLC ± -		APPLICATION SPEC		
2 PLC ± .02		SIZE CAGE CODE DRAWING NO RESTRICTED TO		
3 PLC ± .010		A3 00779 C-1437659-6		
4 PLC ± -		SCALE NTS SHEET 1 OF 2 REV F		
ANGLES ± -		CUSTOMER DRAWING		
FINISH				

THIS DRAWING IS UNPUBLISHED. RELEASED FOR PUBLICATION  
 © COPYRIGHT BY TYCO ELECTRONICS CORPORATION. ALL RIGHTS RESERVED.

LOC	DIST	REVISIONS				
P	LTR	DESCRIPTION	DATE	DWN	APVD	
FT	0	SEE SHEET 1	-	-	-	



THIS DRAWING IS A CONTROLLED DOCUMENT.

DIMENSIONS: INCHES	TOLERANCES UNLESS OTHERWISE SPECIFIED:
	0 PLC ± -
	1 PLC ± -
	2 PLC ± .02
	3 PLC ± .010
	4 PLC ± -
	ANGLES ± -
MATERIAL	FINISH
-	-

DWN S SCHLEGEL 6/25/04	Tyco Electronics Corporation Harrisburg, Pa 17105-3608
CHK S YODER 6/25/04	
APVD S YODER 6/25/04	
PRODUCT SPEC	NAME 8QCR-XX-006 ASSEMBLY
APPLICATION SPEC	SIZE A3
WEIGHT -	CAGE CODE 00779
CUSTOMER DRAWING	DRAWING NO C-1437659-6
	RESTRICTED TO -
	SCALE NTS
	SHEET 2 OF 2
	REV F