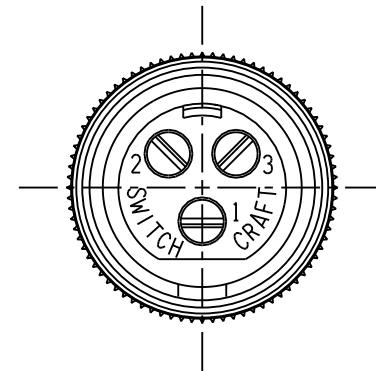


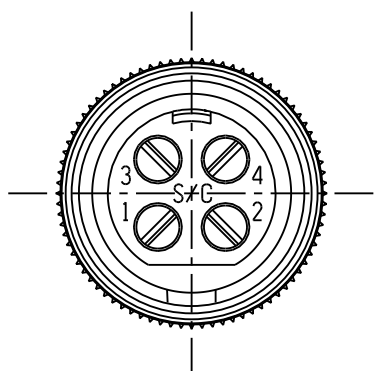
SL412FX

2 PIN



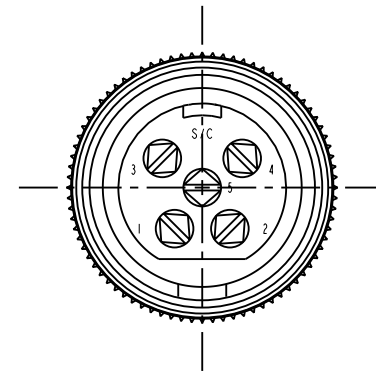
SL413FX

3 PIN



SL414FX

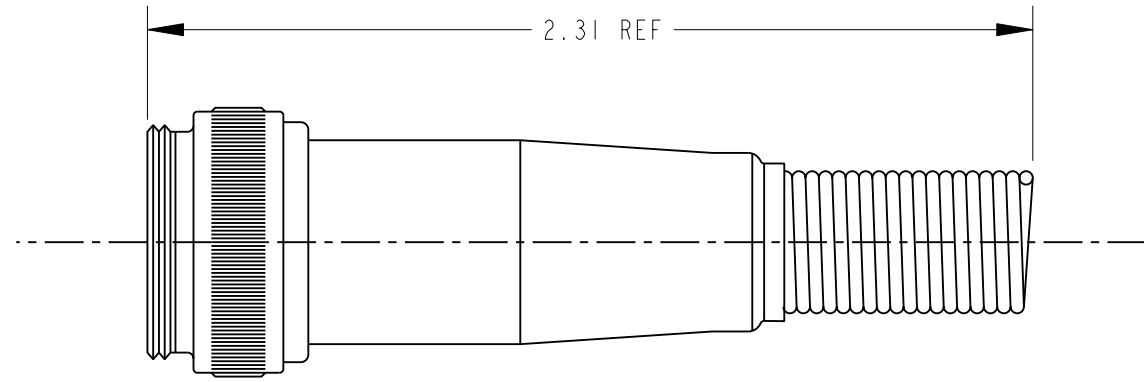
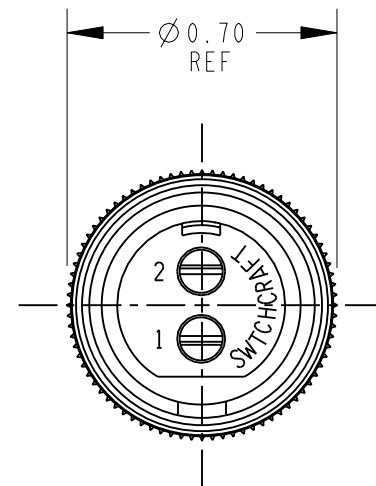
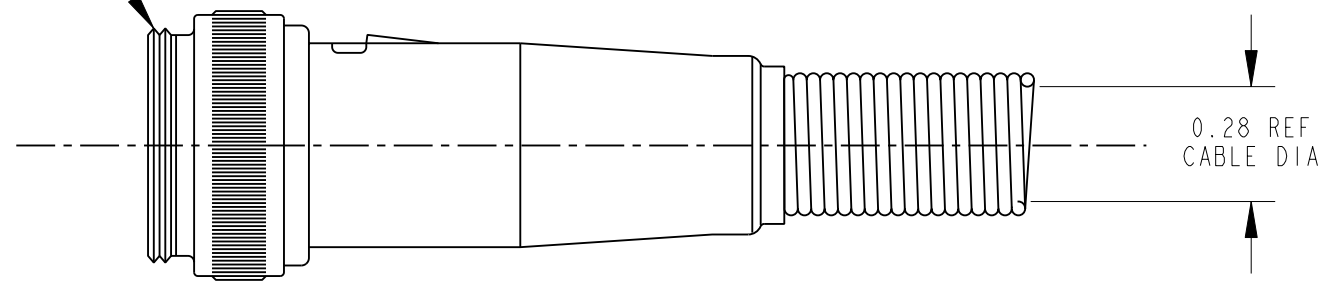
4 PIN



SL415FX

5 PIN

5/8-27 UNS-2A THREAD



CUSTOMER DRAWING

NOTES:

- MATERIALS:
 HOUSING - COPPER ALLOY, NICKEL PLATED
 INSERT - GLASS REINFORCED THERMOPLASTIC
 CONTACTS - COPPER ALLOY SILVER PLATED
 CABLE CLAMP - STEEL, TIN PLATED
 STRAIN RELIEF - STEEL, NICKEL PLATED
 LATCH - STEEL, NICKEL PLATED
- THESE PRODUCTS ARE RoHS COMPLIANT.

REV	ECO NUMBER	DATE	BY	APVD
B	25254	1-17-06	JEB	TJK
A	25221	12-5-05	JEB	TJK
REVISIONS				

★ STAR SYMBOL DENOTES CRITICAL DIMENSION

UNLESS OTHERWISE SPECIFIED

- ALL DIMENSIONS IN INCHES
 - TWO PLACE DECIMALS ±0.01
 - THREE PLACE DECIMALS ±0.005
 - ANGLES ±1°
 - ALL DIA. CONCENTRIC WITHIN 0.005 T.I.R.
- FEATURES ON THE SAME CENTERLINE MUST BE ALIGNED WITHIN ±0.002
- REMOVE ALL BURRS

DO NOT SCALE DRAWING

THIS DRAWING DESCRIBES A DESIGN CONSIDERED PROPRIETARY IN NATURE, DEVELOPED AND MANUFACTURED BY SWITCHCRAFT INC. AND IS RELEASED ON A CONFIDENTIAL BASIS FOR IDENTIFICATION PURPOSES ONLY.										
SIZE		WIDTH		MULT		LBS/M		TEMPER		
FINISH					MATERIAL					
SPEC No.					SPEC No.					
FIRST USED ON				SCALE						
				2:1						
DATE DRAWN	BY	CHKD	APVD	Switchcraft®						
25-Jul-08	JEB	JEB	TJK							
			7-29-08	1-8-09		SHEET		OF		
NAME			PART No.			REV				
FEMALE SLIM LINE			SL412FX-SL415FX			B				
CORD PLUG W/O COUPLER, RoHS										