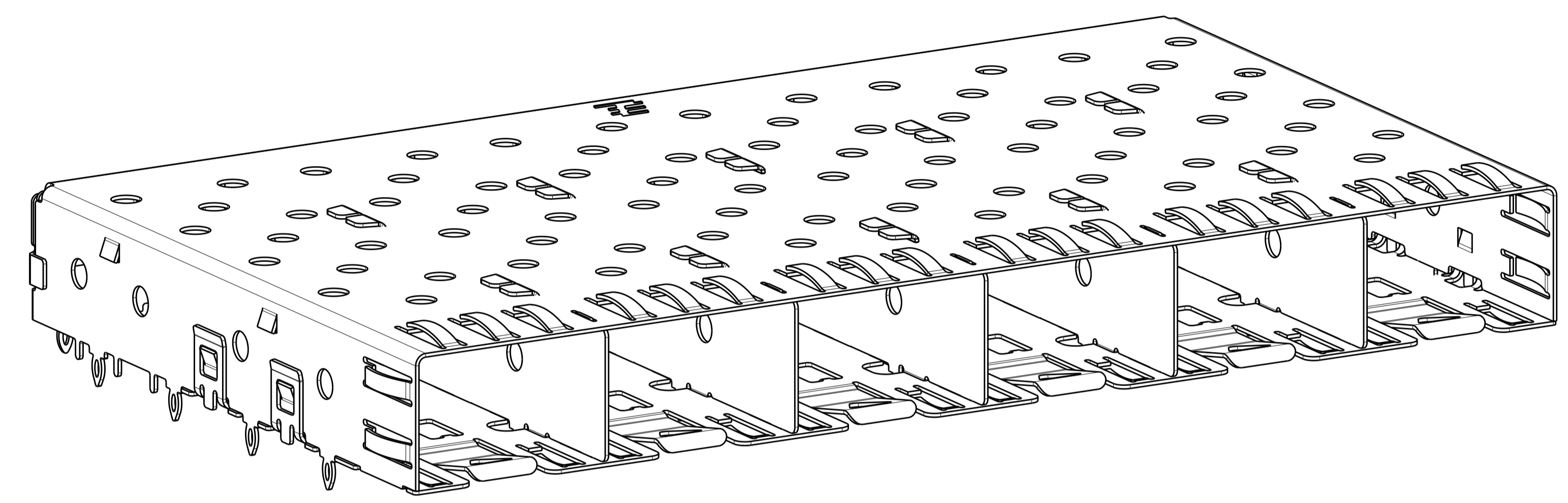
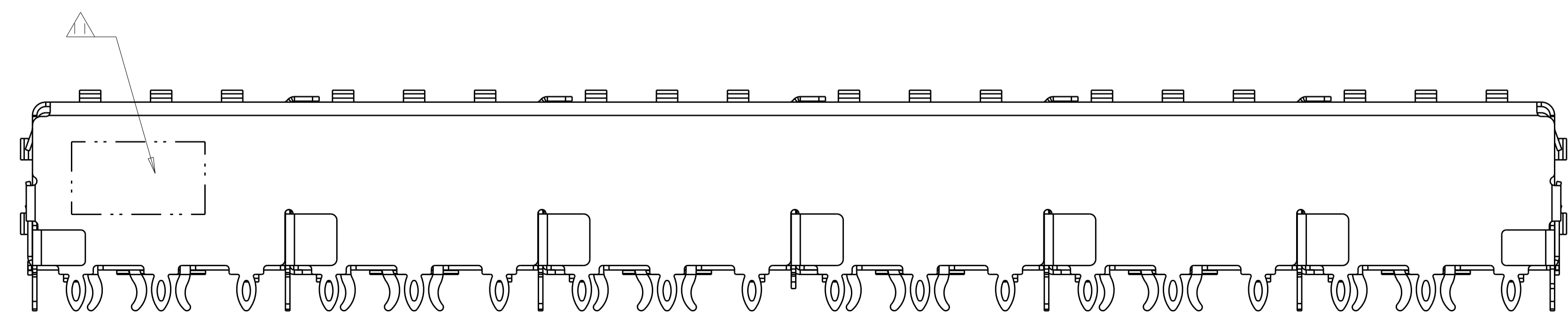
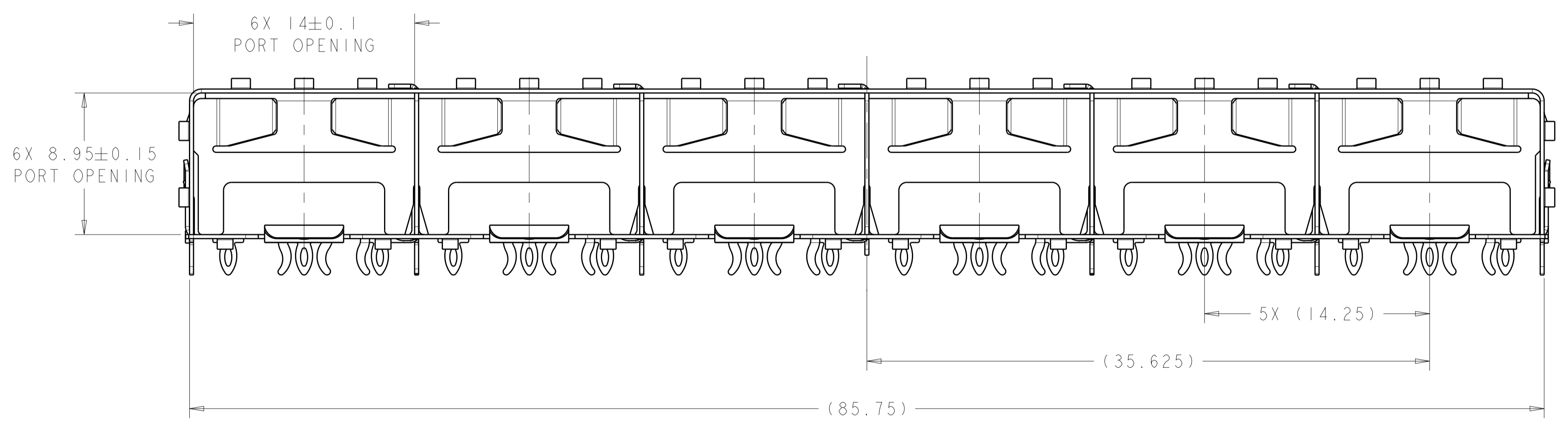
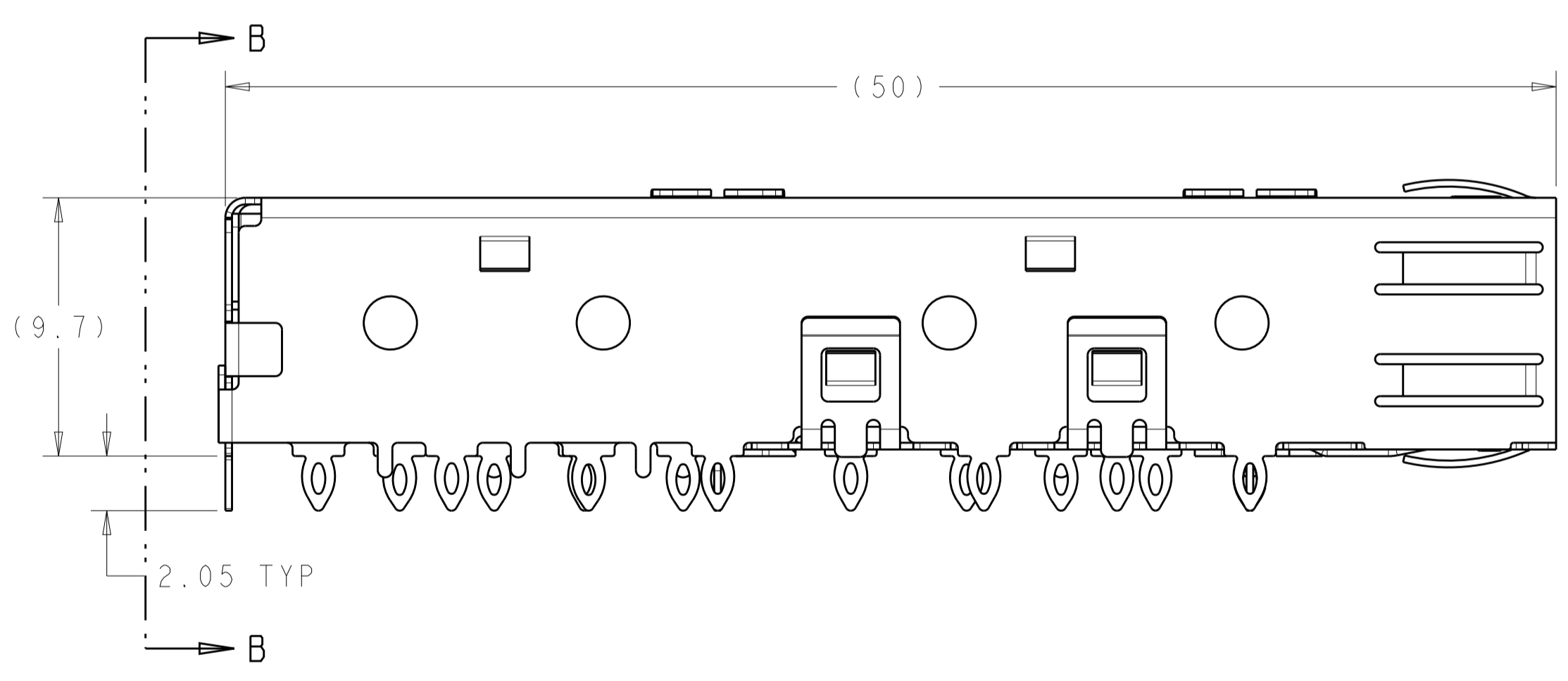


LOC		DIST		REVISIONS			
GP	00	P	LTN	DESCRIPTION	DATE	DMN	APVD
		B		RELEASED PER ECO-10-007728	15APR2010	CJV	MRS
		C		REVISED PER ECO-14-000886	20FEB2014	JW	SH
		C1		REVISED PER ECO-14-010419	11JUL2014	JW	SH
		D		REVISED PER ECO-15-013594	25SEP2015	JW	SH



2110957-1&2
 SCALE 4:1

- 1. PADS AND VIAS CHASSIS GROUND.
- 2. DATUM AND BASIC DIMENSIONS ESTABLISHED BY CUSTOMER.
- 3. LIGHT PIPE KIT WHICH IS SEPARATE FROM CAGE ASSEMBLY, KIT TO BE ATTACHED AFTER SEATING OF 1761015-1 ON PC BOARD.
- 4. LABEL ON CAGE WILL HAVE PART NUMBER 1761015-1.
- 5. REFERENCE STYLE 1 ON APPLICATION SPECIFICATION 114-13165 FOR ADDITIONAL INFORMATION ON CAGE ASSEMBLIES WITH LIGHT PIPES.
- 6. REFERENCE APPLICATION SPEC 114-13120, HOLE A, FOR RECOMMENDED DRILL HOLES DIAMETER AND PLATING THICKNESSES.
- 7. PATTERN REPEATS FOR EACH PORT. SPACING BETWEEN PORTS IS 14.25mm.
- 8. MINIMUM PC BOARD THICKNESS = 1.50mm.
- 9. MATERIAL: COPPER ALLOY.
- 10. TIN PLATING PER ASTM B 545, 1.25µm MINIMUM THICKNESS, ALL OVER NICKEL FLASH PER QQ-N-290. NON-PLATED EDGES ARE PERMISSIBLE.
- 11. DATE CODE AND PART NUMBER IN APPROXIMATE LOCATION SHOWN
- 12. NICKEL SILVER ALLOY(NO PLATING)



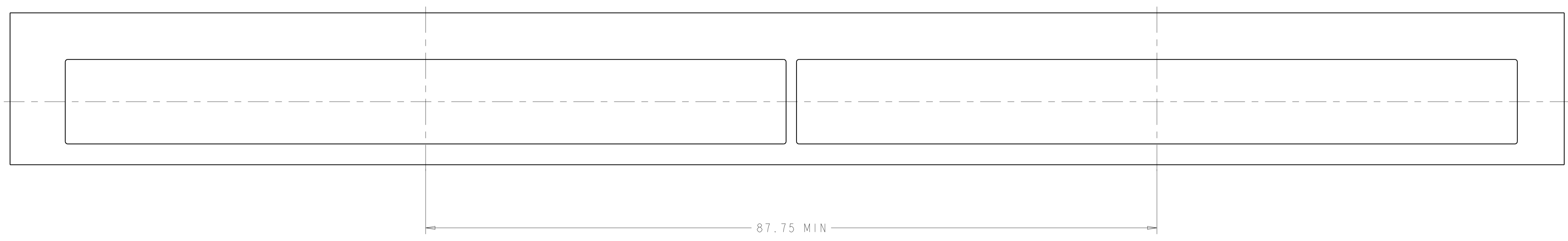
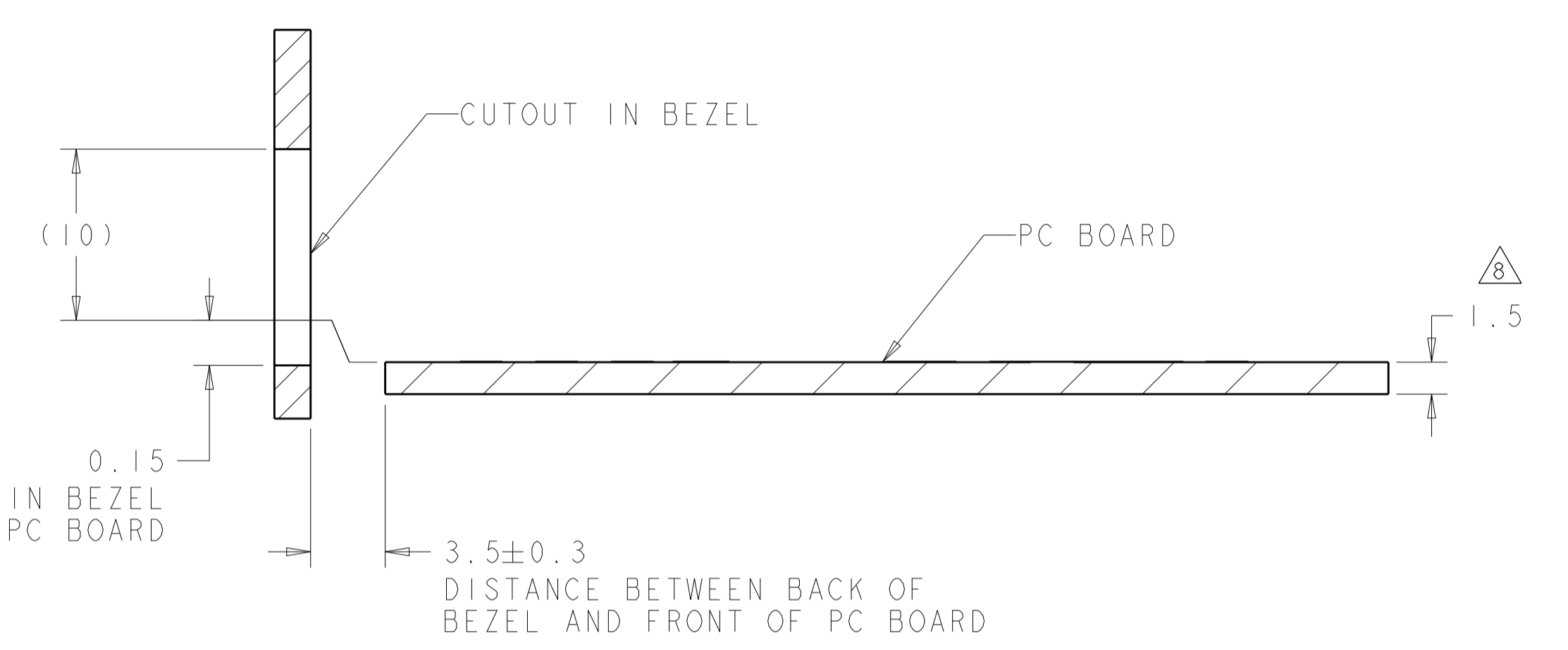
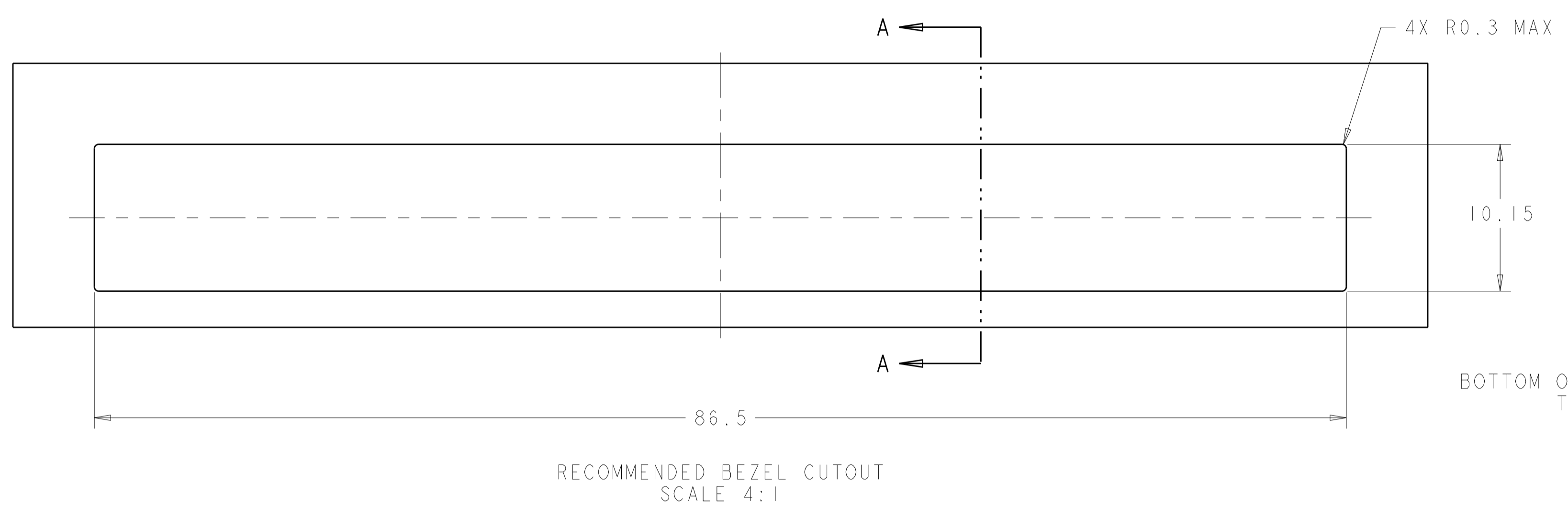
SECTION B-B

SUPERSEDED BY:
 2110957-2

NO	12	2110957-2
	9	2110957-1
FINISH	MATERIAL	PART NUMBER

THIS DRAWING IS A CONTROLLED DOCUMENT.		DMN Z. M. BEAM 21SEP2009	TE Connectivity	
DIMENSIONS: mm		CHK M. R. SCHMITT 21SEP2009		
TOLERANCES UNLESS OTHERWISE SPECIFIED:		APVD R. H. WERTZ 21SEP2009	NAME SFP 1X6 CAGE ASSEMBLY PRESS-FIT	
0 PLC	±0.10	PRODUCT SPEC	SIZE A1	
1 PLC	±0.10	108-1950	CAGE CODE C=2110957	
2 PLC	±0.10	APPLICATION SPEC	RESTRICTED TO	
3 PLC	±0.10	114-13120	SCALE 5:1	
4 PLC	±0.10	WEIGHT	SHEET 1 of 3	
ANGLES	±1°	CUSTOMER DRAWING	REV D	

LOC		DIST		REVISONS			
P	LTN	DESCRIPTION	DATE	DMN	APVD		
-	-	SEE SHEET 1	-	-	-		



THIS DRAWING IS A CONTROLLED DOCUMENT.		DMN Z.M.BEAM	21SEP2009	STE TE Connectivity	
DIMENSIONS:		CHK M.B.SCHMITT	21SEP2009		
mm	TOLERANCES UNLESS OTHERWISE SPECIFIED:	APVD B.H.WERTZ	21SEP2009	NAME SFP	
0 PLC	±0.10	PRODUCT SPEC		1X6 CAGE ASSEMBLY	
1 PLC	±0.10	108-1950		PRESS-FIT	
2 PLC	±0.10	APPLICATION SPEC		SIZE CAGE CODE DRAWING NO RESTRICTED TO	
3 PLC	±0.10	114-13120		A1 C=2110957 -	
4 PLC	±0.10	WEIGHT		SCALE 5:1 SHEET 2 OF 3 REV D	
ANGLES	±1°	CUSTOMER DRAWING			

