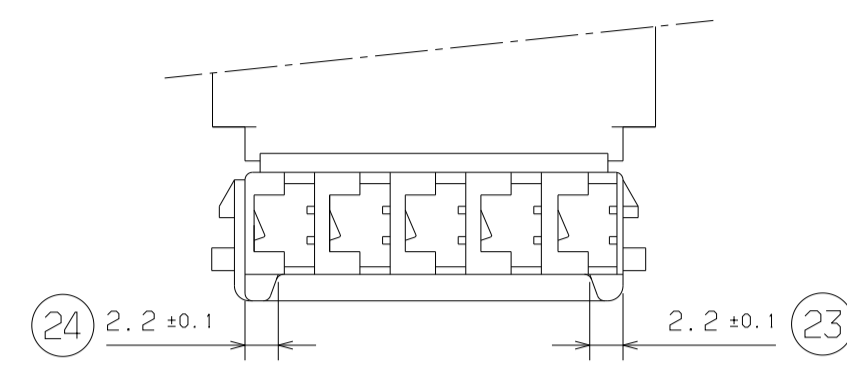
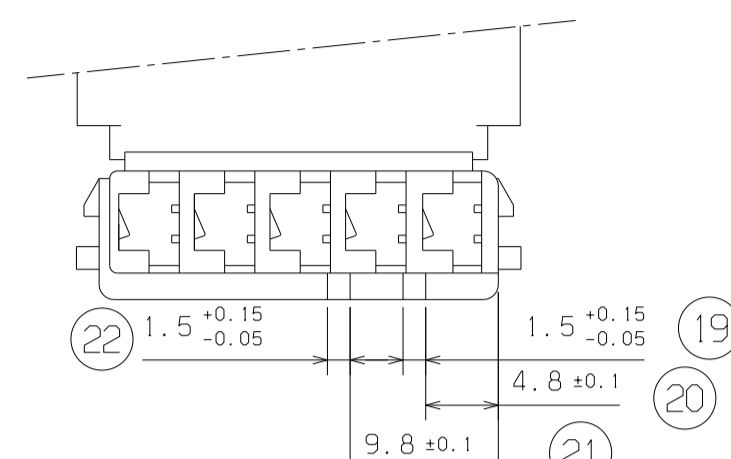


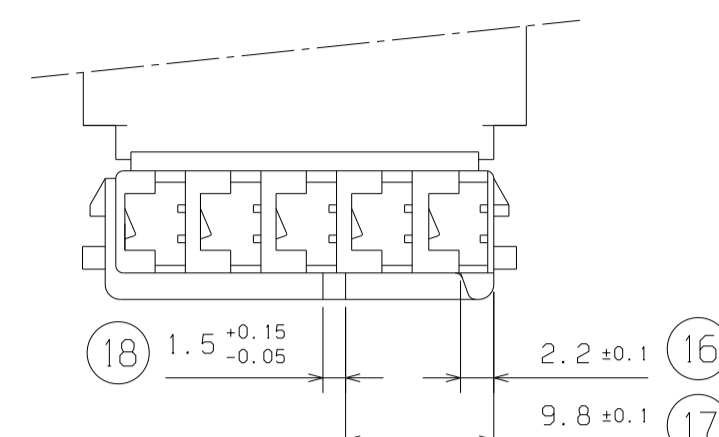
FROM DRAWING P/N 417-2... IND.P 95/06/08
 P1 CHANGE PART NUMBERS, SUPPLIER LOGO AND DRAWING FRAME 05/09/23
 P2 CHANGE P/N 0989361050 to 0989361074 2012/11/21
 P3 UPDATE MODEL MANAGER FOR PDF 2012/11/29
 O REVIEWED



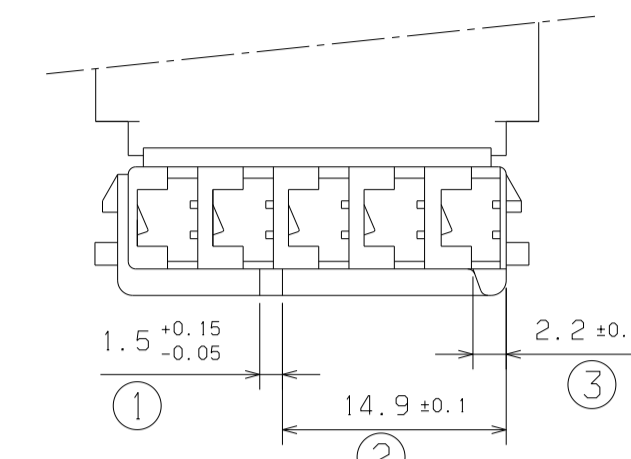
0989361051



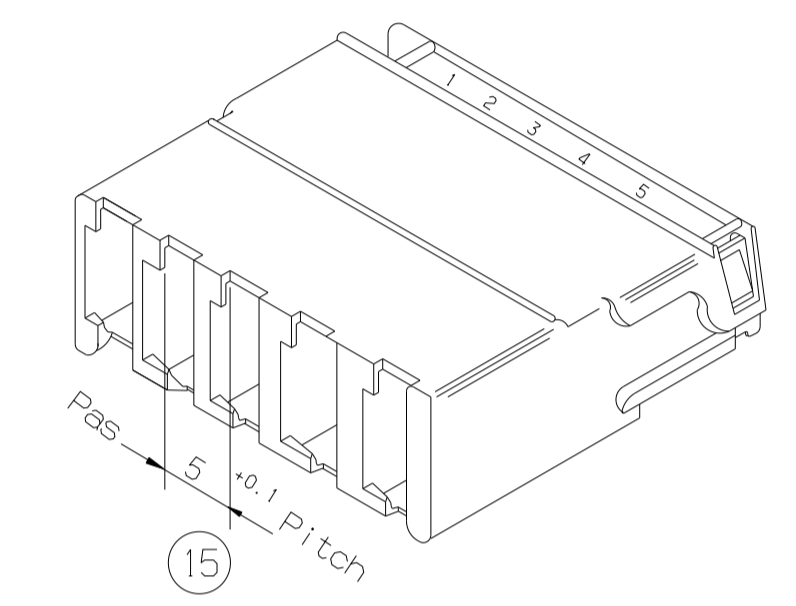
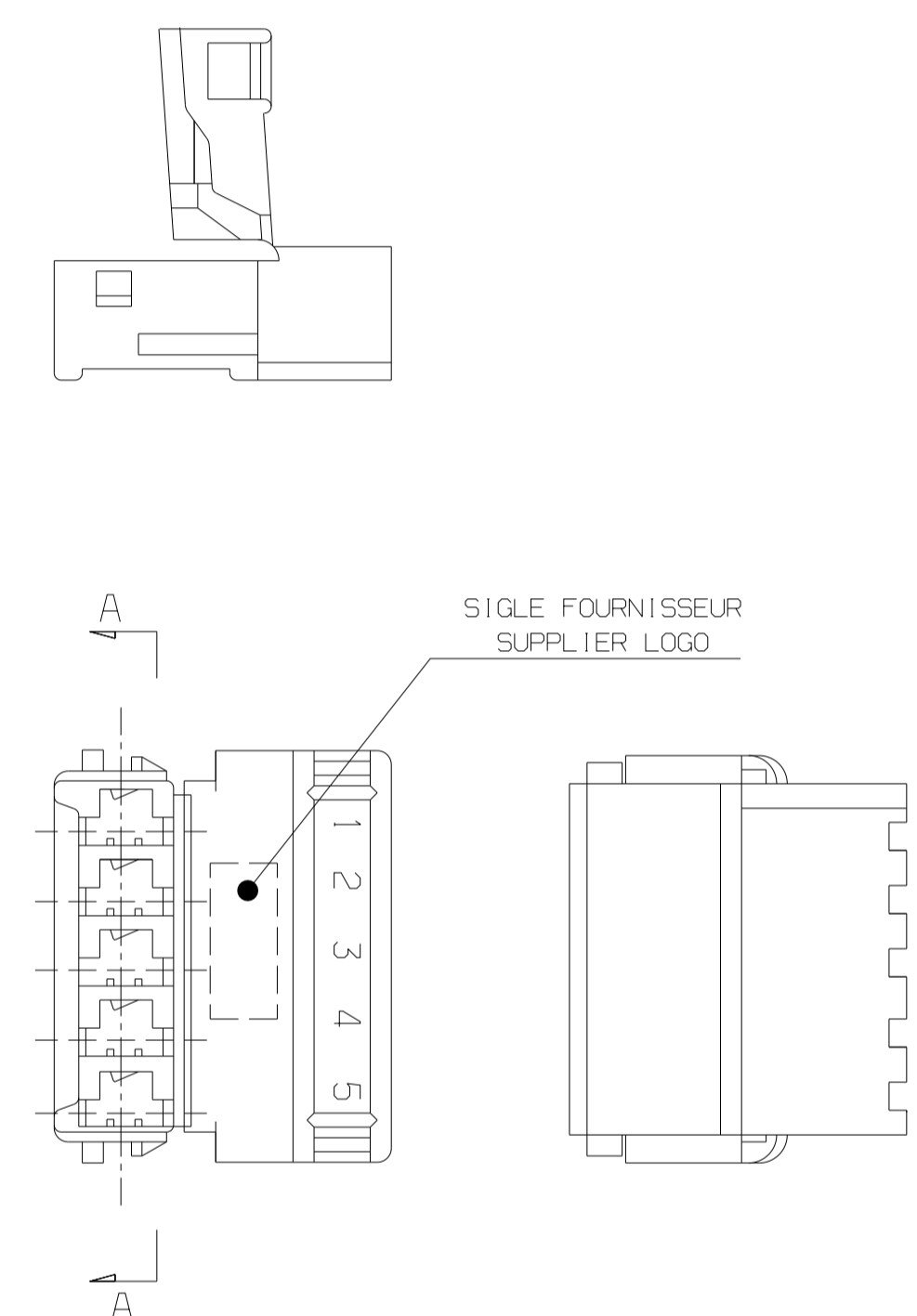
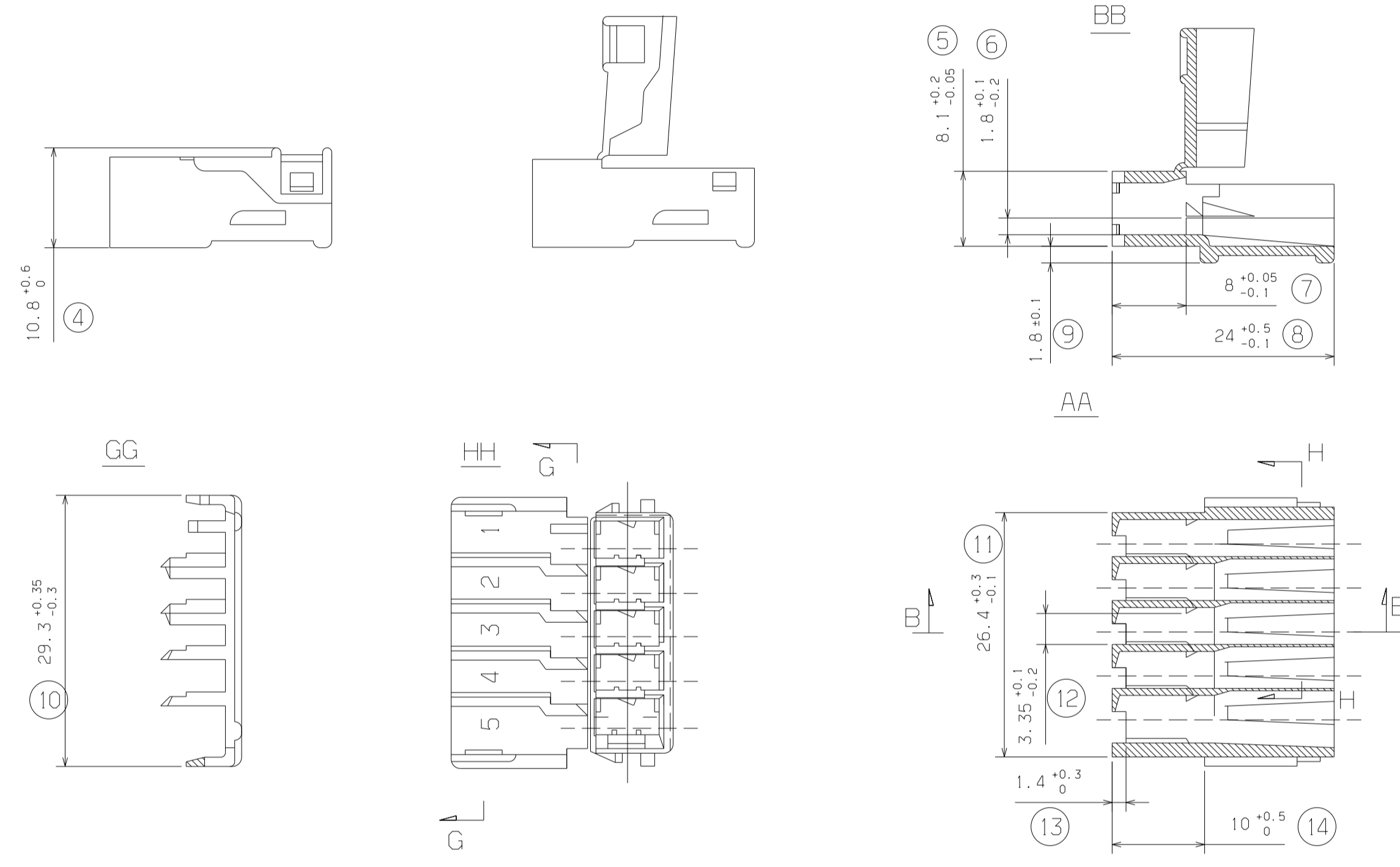
0989361053



0989361055



0989361058



			PA 6.6
Gris	0989361058	Grey	
Vert	0989361055	Green	
Orange	0989361053	Orange	
Noir	0989361051	Black	
Couleur	Référence	Color	Material

Connexions à employer :
 Use terminals :

0988951011
0988952011
0988951012
0988952012
0988951013
0988952013
0988951014
0988952014

NOTA
NOTE
 Cotes à contrôler sur pièces en état stabilisé à 2.5% ± 0.5% de teneur en eau.
 Measurements to check on parts in a stabilized state of 2.5% ± 0.5% of water absorption.

CAPACITY OF CAVITIES CAPACITE DES ALVEOLES		
CRIMP SERTISSAGE	for wire size conducteur section en mm ²	insulation isolant Ø ext. en mm
single wire sur fil unitaire	3 ² maxi	4 maxi
coupled wires	1 ² + 1.4 ²	2.7 max+3 max
sur fils jumelés	0.6 ² + 2 ²	2.4 max+3.2 max

ENTER DESCRIPTION EC NO: G2015-0078 DRAWN: TEBADAROUX 2014/11/28 CH: KD: JOUGLOS 2014/11/28 APPR: OFLESSIS 2014/11/28	QUALITY SYMBOLS ▽=0 ▽=0	GENERAL TOLERANCES (UNLESS SPECIFIED)		DIMENSION STYLE MM ONLY		SCALE 2:1	DESIGN UNITS METRIC	FIRST ANGLE PROJECTION			
		4 PLACES ± 3 PLACES ± 2 PLACES ± 1 PLACE ±	mm INCH ± ± ± ± ± ±	DRAWN BY HE	DATE 81/10/16	TITLE CSP5 Rcpt Hsq W/Cap PA 5cct					
		ANGULAR ± °		CHECKED BY JLD		DATE 05/09/23		APPROVED BY LST		DATE 05/09/23	
		DRAFT WHERE APPLICABLE MUST REMAIN WITHIN DIMENSIONS		MATERIAL NO. SEE CHART		DOCUMENT NO. SD-98936-001		SHEET NO. 1 OF 1			
		SIZE A1		THIS DRAWING CONTAINS INFORMATION THAT IS PROPRIETARY TO MOLEX INCORPORATED AND SHOULD NOT BE USED WITHOUT WRITTEN PERMISSION							