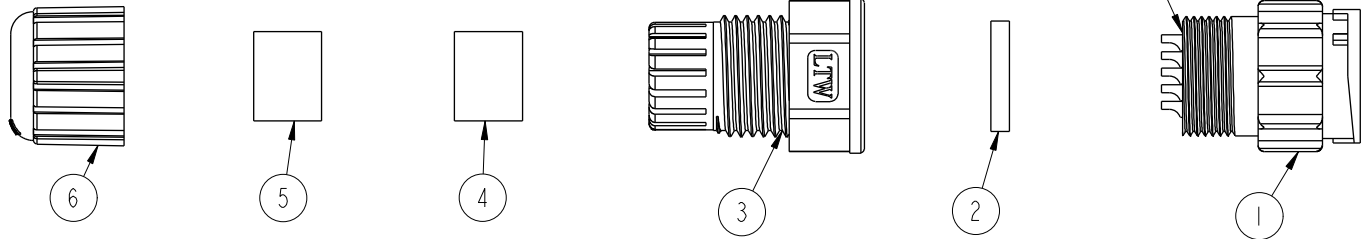


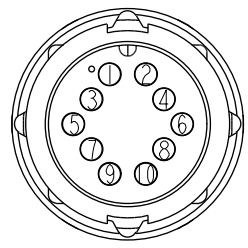
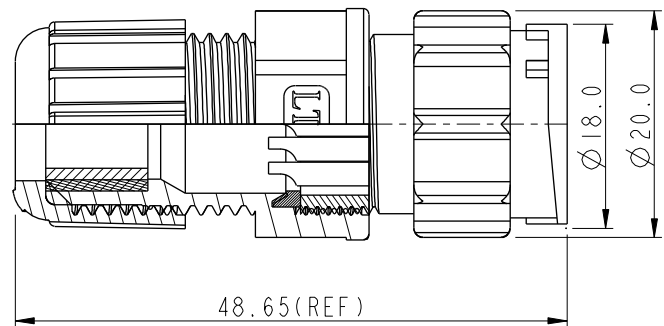
REV.	ECN NO.	DATE	SIGN	DESCRIPTION

ALTW  
DCC. DEPT.  
CONFIDENTIAL  
2012-06-11  
**ISSUED**



ALTW  
CONFIDENTIAL  
2012-04-13  
R&D DEPT.

Note:  
 \* Seal B1 for Cable OD:  $\varnothing 7.6\text{mm} \sim \varnothing 9.6\text{mm}$   
 (防水墊圈B1線徑:  $\varnothing 7.6\text{mm} \sim \varnothing 9.6\text{mm}$ )  
 \* Seal B2 for Cable OD:  $\varnothing 4.0\text{mm} \sim \varnothing 7.6\text{mm}$   
 (防水墊圈B2線徑:  $\varnothing 4.0\text{mm} \sim \varnothing 7.6\text{mm}$ )  
 \* One Set Unassembled in One PE Bag  
 (每一組未組裝, 放置於一個PE袋, 並封口)  
 \*  $\varnothing$  Important Dimension.  
 ( $\varnothing$  為重點檢驗尺寸)



Pin Assignments  
Front View 前視圖

NO.	NAME	COLOR	SPECIFICATION	QTY	NOTE
7	PE Bag		90*85mm(Sealed)	1	HPE00900085
6	Sealing Nut	Black	Nylon	1	ANC179XXX01
5	Seals B2	Black	EPDM	1	DGA0036EP70
4	Seals B1	Black	EPDM	1	DGA0035EP70
3	Clamp Ring	Black	Nylon	1	ANC178XXX01
2	Gasket	Black	Silicone	1	DGA0034S170
1	Connector	Black	10Pin Male Conn. Male Pin		ZSE00100682

UNIT: mm			TITLE Lock Type Connector For Field Installation 180° 10Pin Male Connector Male Pin(5A)
TOLERANCE .X ±0.25 .XX ±0.1 .XXX ±0.05 ANGLES ±1°	SCALE 1:1	SIZE A4	SHEET 1 OF 1
REV. A	WC-REV. A.2	QC: Inspection item	

**Amphenol LTW**  
安費諾亮泰企業股份有限公司

ITEM NO. CD-10BMMA-LL7001	DRAWN BY SamChang	DATE 2012-04-13
DWG NO. CD-10BMMA-LL7001	CHECKED BY Jeffrey	DATE 2012-06-11
CUSTOMER ALTW	APPROVED BY Lion	DATE 2012-06-11

THIS DOCUMENT IS SUBJECT TO CHANGE WITHOUT NOTICE. IT IS CONFIDENTIAL AND A PROPERTY OF Amphenol LTW. DISCLOSURE TO THIRD PARTY HAS TO BE AUTHORIZED BY Amphenol LTW.