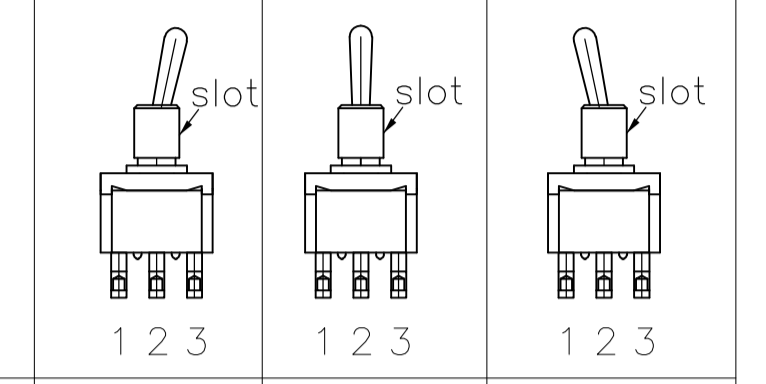


DATE CODE PRINTING LAST DIGIT OF YEAR  
 A-L = JANUARY TO DECEMBER DAY

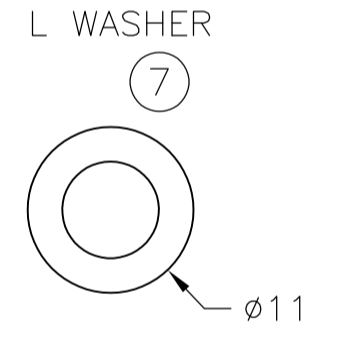
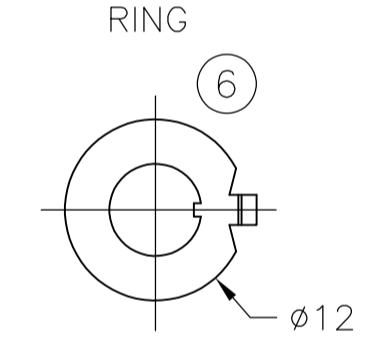
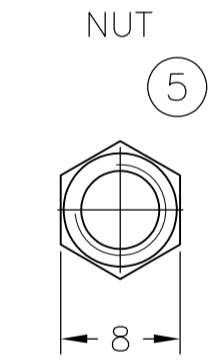
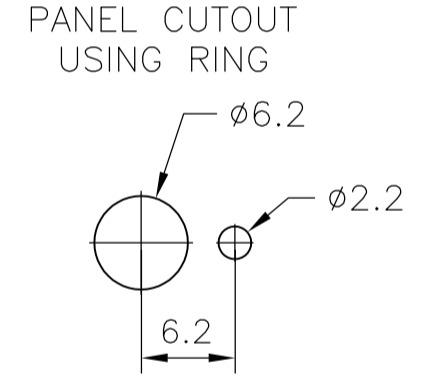
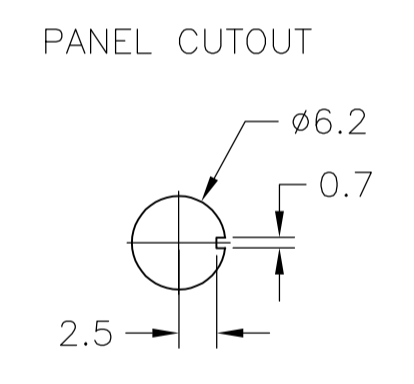
PRINTING OF LOGO AND RATING  
 MODEL NO.  
 RATING  
 SW. FUNCT.

FUNCTION CHART



TE PN	PART	TERMINALS 1 AND 2	TERMINALS 2 AND 3
2-6437630-0	FTD0904	ON	NONE
5-6437630-7	FTF0904	(ON)	NONE
6-6437630-2	FTE0904	ON	OFF
4-6437630-8	FTH0904	(ON)	OFF
5-6437630-5	FTG0904	(ON)	OFF
3-6437630-4	FTD09G04	ON	NONE
6-6437630-3	FTF09G04	(ON)	NONE
5-6437630-1	FTE09G04	ON	OFF
6-6437630-4	FTH09G04	(ON)	OFF
3-6437630-8	FTG09G04	(ON)	OFF

(ON): MOMENTARY ACTION  
 OFF: MECHANICAL POSITION WITHOUT ELECTRICAL CONNECTION  
 NONE: NO MECHANICAL POSITION



1.5 THICK      1 THICK      0.63 THICK

- 0.5VA NO SWITCH FUNCTION WILL BE MARKED BUT WILL BE MARKED GOLD CON.
- 2 OPERATING TEMPERATURE -20°C TO +70°C
- 3 ALL MATERIALS AND FINISHES COMPLY WITH RoHS DIRECTIVE

CONTACT MATERIAL	TE PN	PART	RATING	INITIAL CONTACT RESISTANCE	INSULATION RESISTANCE	DIELECTRIC STRENGTH	ENDURANCE
C3602BD Ep-Cu/Ni3,Au1b	3-6437630-4 6-6437630-3 5-6437630-1 3-6437630-8	FTD09G04 FTF09G04 FTE09G04 FTG09G04	20V AC/DC 0.4VA MAX	MAX 10 MILLIOHMS AT DC 2~4V 0.1A	MIN 1000 M Ohms AT DC 500V	AC 1KV/1MIN (AC 1.2KV/1SEC)	ELECTRICALLY 50,000 CYCLES AT 20 CYCLES/MIN (RATED LOAD RESISTIVE) MECHANICALLY 100,000 CYCLES AT 20 CYCLES/MIN
	6-6437630-4	FTH09G04					ELECTRICALLY 25,000 CYCLES AT 20 CYCLES/MIN (RATED LOAD RESISTIVE) MECHANICALLY 50,000 CYCLES AT 20 CYCLES/MIN
99.8% Silver + C3602BD Ep-Cu/Ni3,AuFb	5-6437630-7	FTF0904	AC 125V 6A AC 250V 6A	MAX 10 MILLIOHMS AT DC 2~4V 1A	MIN 1000 M Ohms AT DC 500V	AC 1KV/1MIN (AC 1.2KV/1SEC)	ELECTRICALLY 50,000 CYCLES AT 20 CYCLES/MIN (RATED LOAD RESISTIVE) MECHANICALLY 100,000 CYCLES AT 20CYCLES/MIN
	2-6437630-0 6-6437630-2 4-6437630-8 5-6437630-5	FTD0904 FTE0904 FTH0904 FTG0904					ELECTRICALLY 50,000 CYCLES AT 20 CYCLES/MIN (RATED LOAD RESISTIVE) MECHANICALLY 100,000 CYCLES AT 20CYCLES/MIN

MATERIALS CHART			
Ep-Fe/Cu2,Ni4b	SK-5	L WASHER	7
Ep-Fe/Cu2,Ni3b	SPCC	RING	6
Ep-Cu/Ni3b	C3602BD	NUT	5
Ep-Cu/Ni3,Cr1b	C3602BD	ACTUATOR	4
Ep-Cu/Ni3b	C3602BD	BUSHING	3
	SUS	FRAME	2
	POLYESTER RESIN	CASE	1
OPTIONAL DESCRIPTION	MATERIAL/SURFACE	PART NAME	PART NO

THIS DRAWING IS A CONTROLLED DOCUMENT.

DIMENSIONS: mm	TOLERANCES UNLESS OTHERWISE SPECIFIED:	DIN RAGHAVENDRA 02AUG10	02AUG10	02AUG10	02AUG10
0 PLC ± -	1 PLC ± -	2 PLC ± -	3 PLC ± -	4 PLC ± -	ANGLES ± -

APPROVED: MICHAEL WILBOURN

NAME: MICHAEL WILBOURN

PRODUCT SPEC: TOGGLE SWITCH F-SERIES SP STANDARD LEVER

APPLICATION SPEC: TOGGLE SWITCH F-SERIES SP STANDARD LEVER

WEIGHT: A1 00779 ©=1968510

CUSTOMER DRAWING SCALE: 1:1 SHEET: 1 of 1 REV: A1