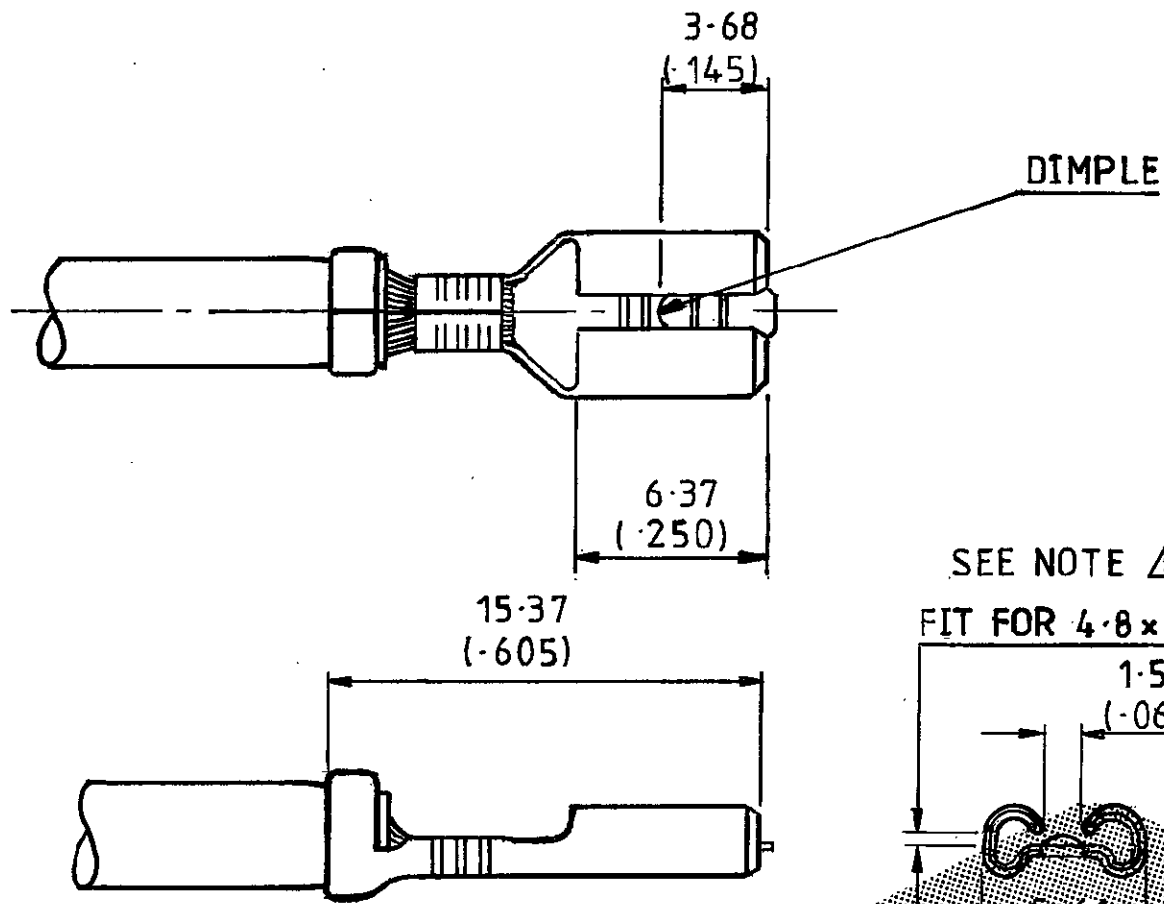


DO NOT SCALE

DIMENSIONS IN m.m.

(IMPERIAL IN BRACKETS)

METRIC



SEE NOTE Δ
FIT FOR 4.8 x 0.81 (.187 x .032) TAB

SEE NOTE
SEE NOTE
SEE NOTE

SEE NOTE

Δ MAX. INSERTION FORCE
33N (7.5 lbf) WITH 0.81 TAB.

Δ TO SUIT 4.8 x 0.51 (.187 x 0.020) TAB
(PART NO 150681-8)

LOOSE PIECE	FINISH	MATERIAL	PART NUMBER
	NONE	BRASS	1-150681-3
	ELECTRO-TIN	PHOS. BRONZE	1-150681-2
	NONE	PHOS. BRONZE	1-150681-1
	NONE	NICKEL SILVER	150681-8
	NONE	NICKEL SILVER	150681-7
	NICKEL	STEEL	150681-6
	NONE	STEEL	150681-5
151457-4	ELECTRO-TIN	BRASS	150681-4
151457-3	NONE	BRASS	150681-3
151457-2	ELECTRO-TIN	PHOS. BRONZE	150681-2
151457-1	NONE	PHOS. BRONZE	150681-1

CUSTOMER DWG FOR REFERENCE ONLY

THIS DRAWING IS UNPUBLISHED | RELEASED FOR PUBLICATION 1963BP
 © COPYRIGHT 19 BY AMP OF GREAT BRITAIN LTD. ALL INTERNATIONAL RIGHTS RESERVED. AMP PRODUCTS MAY BE COVERED BY BRITISH AND FOREIGN PATENTS AND/OR PATENTS PENDING.

ISS	REVISION RECORD	DR	DATE	ISS	REVISION RECORD	DR	DATE
				F	REDRAWN	D.M.	10-5-82
				E	-7 ADDED	D.M.	1-8-79
				D	-5 & 6 ADDED	P.S.	2-11-76
				J	C 5031	ABH	24-8-88
				H	1-150681-8 ADDED	DAB	3.3.87
				G	1-150681-1,2,3 ADDED	DAB	22.9.86

TOLERANCES UNLESS OTHERWISE STATED:-	INS. DIA. RANGE	WIRE RANGE	SCALE
DEC \pm 0,5	.090 - .130	20 - 16 AWG.	4:1
ANGLES \pm 1°	AMP TERMINAL HOUSE, STANMORE, MIDDX. of Great Britain Ltd.		
DR. A.B.HAYDEN			
CHK. <i>Manu Khan</i>	NAME WIRE TERMINAL .187		
APP. <i>Manu Khan</i>	SERIES FASTON REECEPLE		
	A3	LOC. DWG. NO. E C150681	SHEET 1 of 1