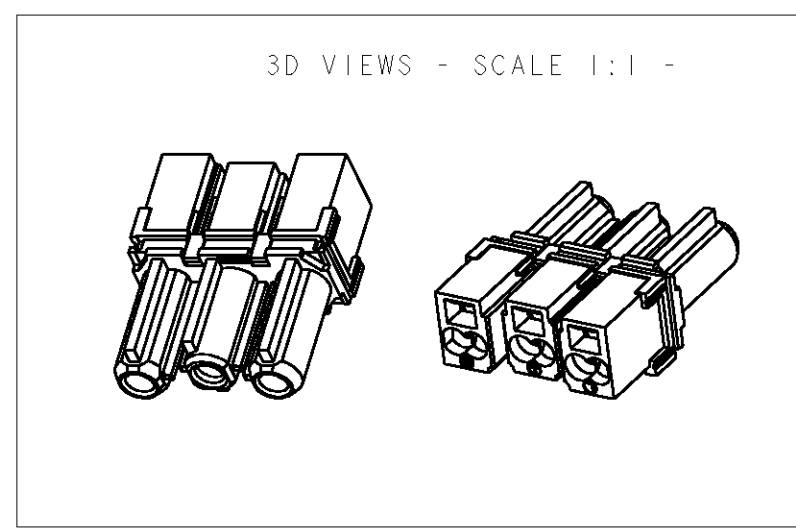
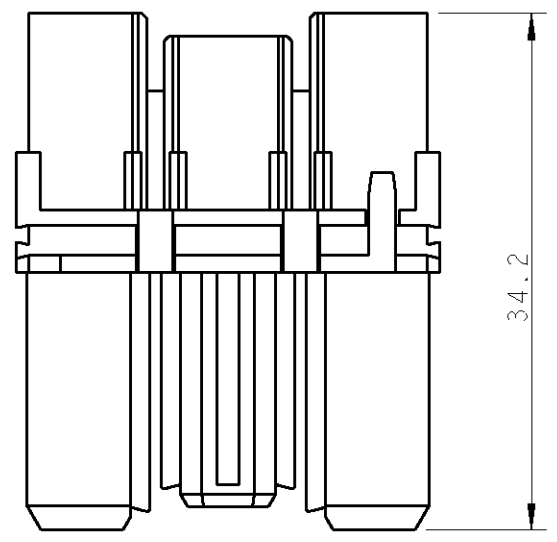
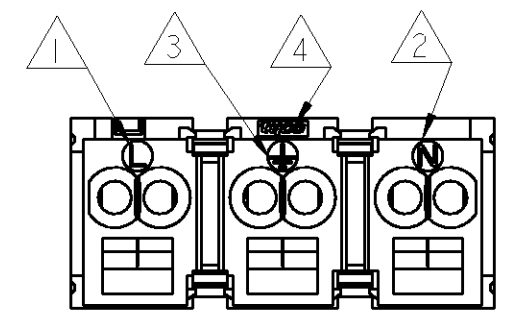
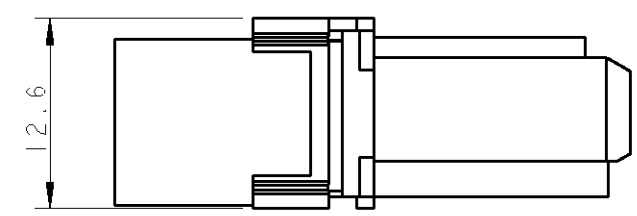
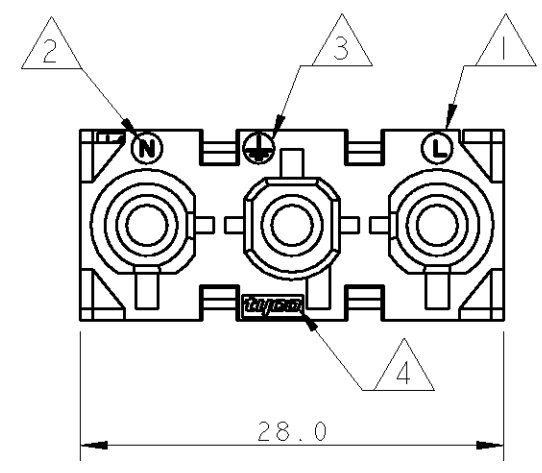


THIS DRAWING IS UNPUBLISHED. RELEASED FOR PUBLICATION 2006
 © COPYRIGHT 2006 BY TYCO ELECTRONICS CORPORATION. ALL RIGHTS RESERVED.

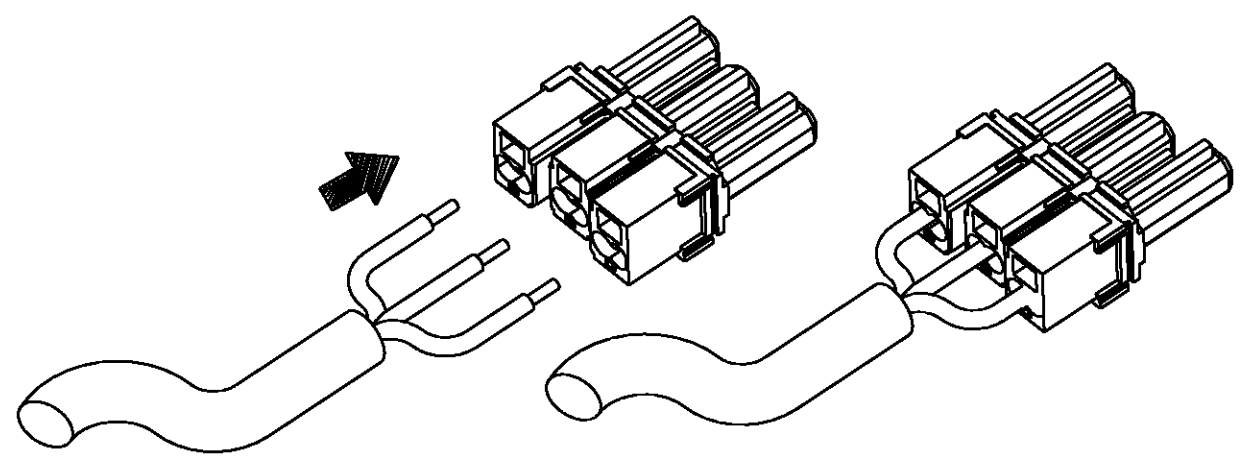
LOC	DIST	REVISIONS					
		P	LTR	DESCRIPTION	DATE	DWN	APVD
1	-		0	FIRST ISSUE	10APR2006	UA	GT



NOTES:

- 1) LINE SYMBOL
- 2) NEUTRAL SYMBOL
- 3) PE SYMBOL
- 4) TYCO TRADEMARK
- 5) PACKAGING ACCORDING TO TYCO SPEC. 107-20252
- 6) FOR FREE-HANGING VERSION (SEE SHEET 2 OF 2) TYCO NECTOR* HERMAPH. SHELL P/N 293054 MUST BE USED
- 7) FOR PANEL MOUNT VERSION (SEE SHEET 2 OF 2) TYCO NECTOR* PANEL MOUNT FRAME P/N 293053 MUST BE USED
- 8) FOR INSTALLATIONS ACCORDING TO VDE 0606-200 LOCKING DEVICES P/N 293129 (FREE-HANGING VERSION) OR P/N 293130 (PANEL MOUNT VERSION) MUST BE USED
- 9) FOR UNENGAGED INSTALLATIONS ACCORDING TO VDE 0606-200 PLASTIC TAPS P/N 293134 (FOR RECPT. CONNS.) OR P/N 293135 (FOR PLUG CONNS.) MUST BE USED

- INSULATION DIA < 9.0 mm: REMOVE INSULATION JACKET FOR A LENGTH OF 20 ± 1 mm
- INSULATION DIA ≥ 9.0 mm: REMOVE INSULATION JACKET FOR A LENGTH OF 30 ± 1 mm
- STRIP WIRES FOR A LENGTH OF 11 mm
- MAKE ULTRASOUND SOLDERING ON THE WRAPPED WIRES



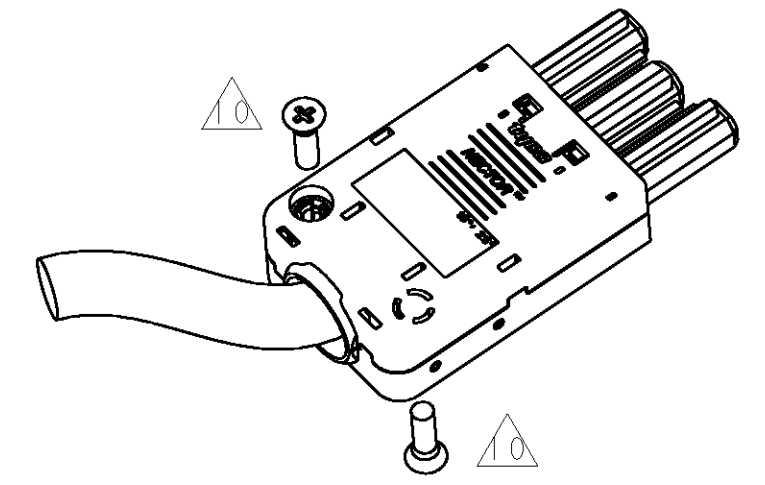
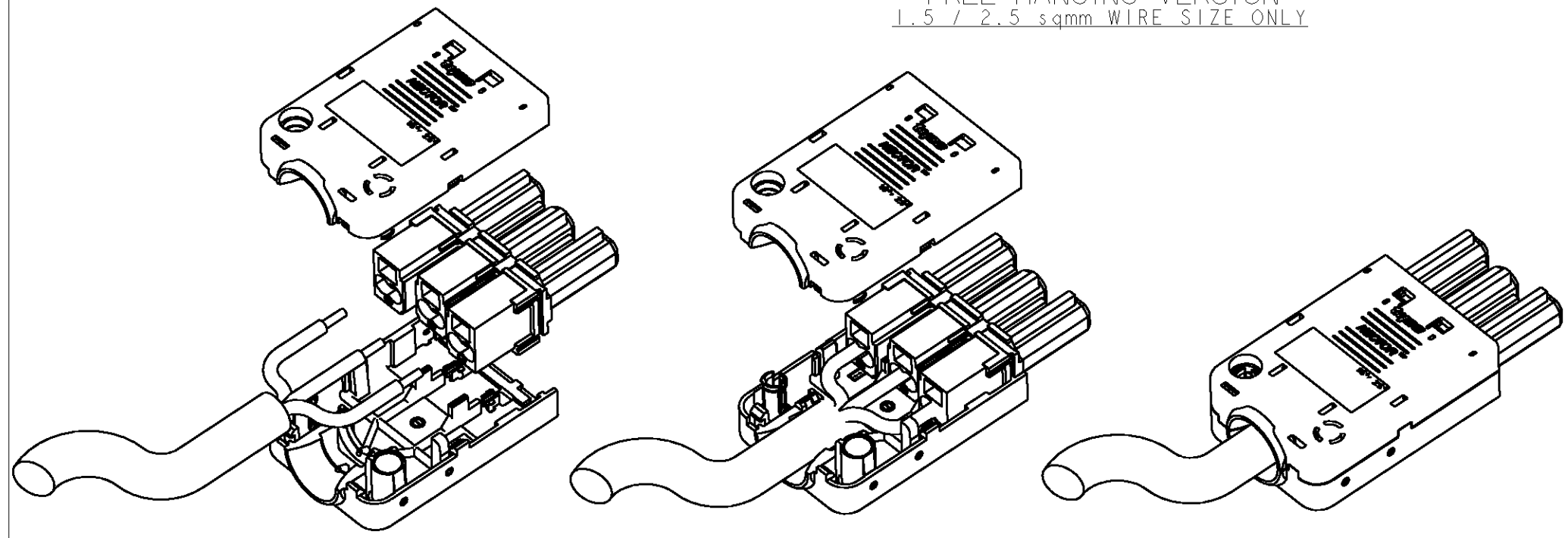
293046-2	WHITE	A
293046-1	BLACK	A
TYCO P/N	COLOUR	REV.

<small>THIS DRAWING IS A CONTROLLED DOCUMENT FOR TYCO ELECTRONICS CORPORATION IT IS SUBJECT TO CHANGE AND THE CONTROLLING ENGINEERING ORGANIZATION SHOULD BE CONTACTED FOR THE LATEST REVISION.</small>		DWN U.A.I.M.E 10APR2006 CHK U.A.I.M.E 10APR2006 APVD G.TURCO 10APR2006		AMP Italia S.p.A. C.so F.lli Cervi 15 Collegno (TO)
DIMENSIONS: mm	TOLERANCES UNLESS OTHERWISE SPECIFIED: 0 PLC ±- 1 PLC ±0.3 2 PLC ±- 3 PLC ±- 4 PLC ±- ANGLES ±1	PRODUCT SPEC - APPLICATION SPEC - WEIGHT -	NAME TYCO NECTOR* 3 POS. PLUG CONN. SPRING CLAMP TERM.	
MATERIAL -	FINISH -	CUSTOMER DRAWING	SIZE A3 CAGE CODE 00779 DRAWING NO C-293046	RESTRICTED TO - SCALE 2:1 SHEET 1 OF 2 REV 0

THIS DRAWING IS UNPUBLISHED. RELEASED FOR PUBLICATION 2006
 © COPYRIGHT 2006 BY TYCO ELECTRONICS CORPORATION. ALL RIGHTS RESERVED.

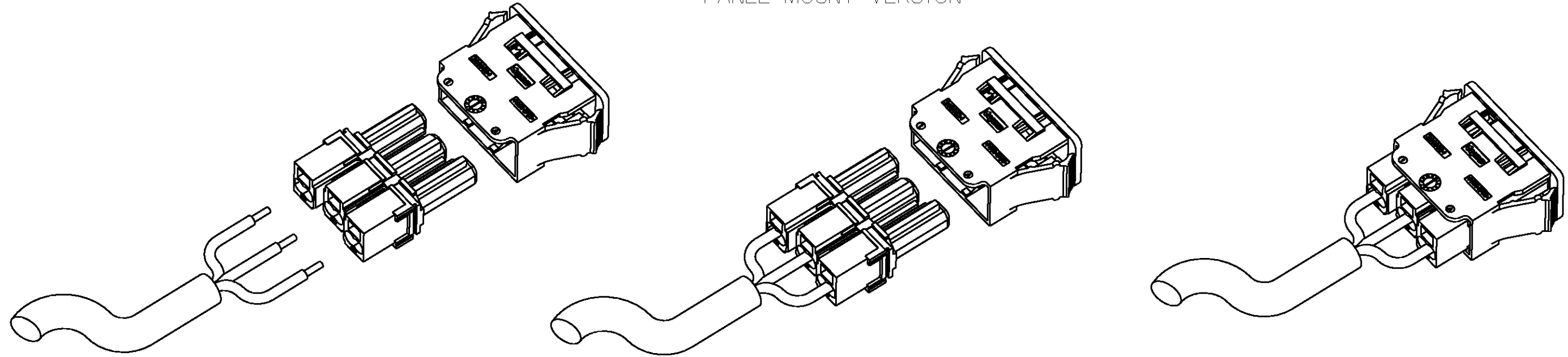
LOC	DIST	REVISIONS			
P	LTR	DESCRIPTION	DATE	DWN	APVD

FREE HANGING VERSION
 1.5 / 2.5 sqmm WIRE SIZE ONLY



OPTIONAL SCREWS M3 x 12 - NOT INCLUDED
 (SCREWS ACCORDING TO: "UNI 9709" OR
 "UNI 9707" OR "UNI 10228" OR "UNI 10227")

PANEL MOUNT VERSION



THIS DRAWING IS A CONTROLLED DOCUMENT FOR TYCO ELECTRONICS CORPORATION
 IT IS SUBJECT TO CHANGE AND THE CONTROLLING ENGINEERING ORGANIZATION
 SHOULD BE CONTACTED FOR THE LATEST REVISION.

DIMENSIONS: mm		TOLERANCES UNLESS OTHERWISE SPECIFIED:	
	0 PLC ±-	1 PLC ±0.3	
	2 PLC ±-	3 PLC ±-	
	4 PLC ±-	ANGLES ±1	
MATERIAL -	FINISH -		

DWN	U.A.I.M.E	10APR2006
CHK	U.A.I.M.E	10APR2006
APVD	G.TURCO	10APR2006
PRODUCT SPEC	-	
APPLICATION SPEC	-	
WEIGHT	-	
CUSTOMER DRAWING		

tyco Electronics		AMP Italia S.p.A. C.so F.lli Cervi 15 Collegno (TO)	
NAME TYCO NECTOR* 3 POS. PLUG CONN. SPRING CLAMP TERM.			
SIZE	CAGE CODE	DRAWING NO	RESTRICTED TO
A3	00779	C=293046	-
SCALE	2:1	SHEET	2 OF 2
		REV	0