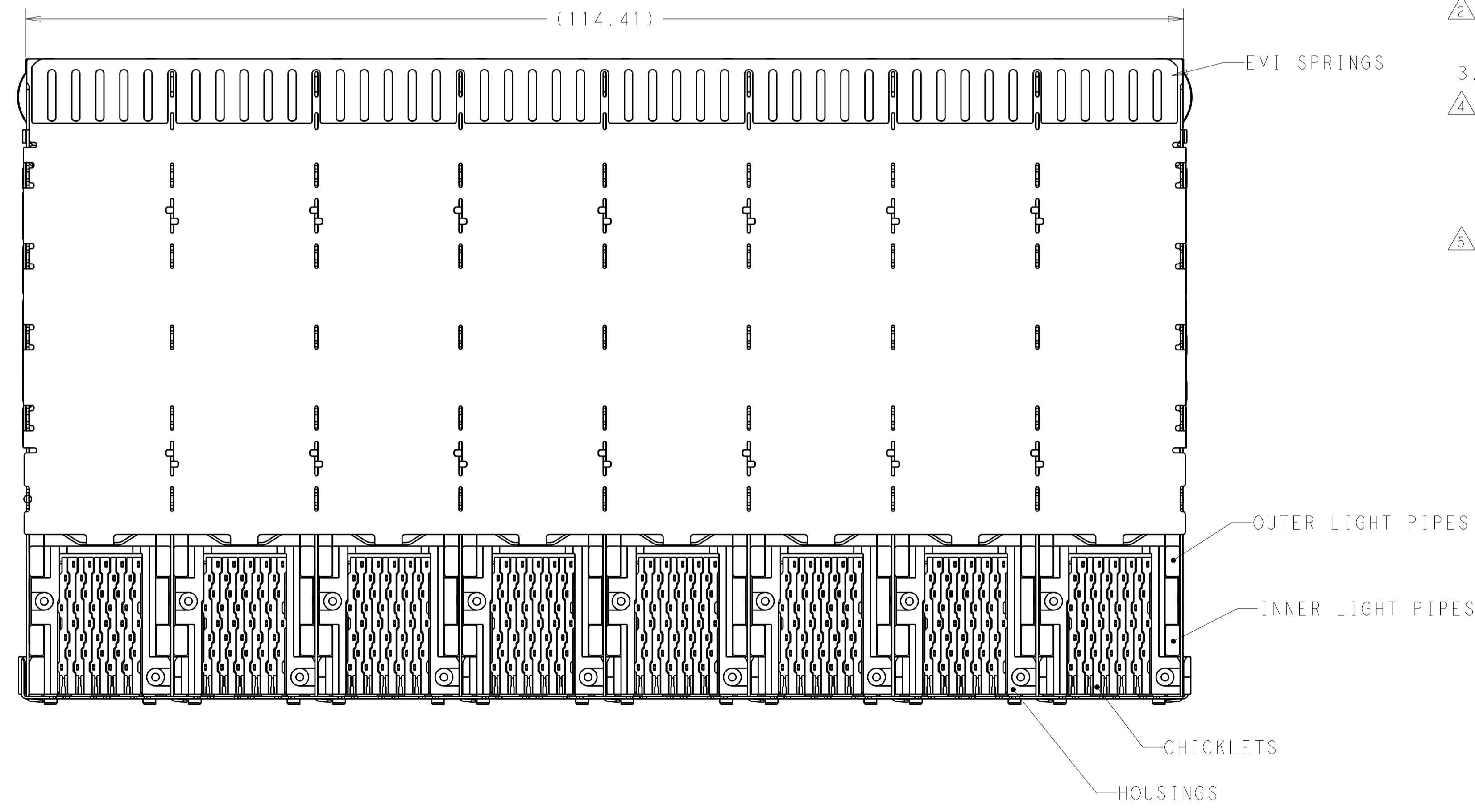
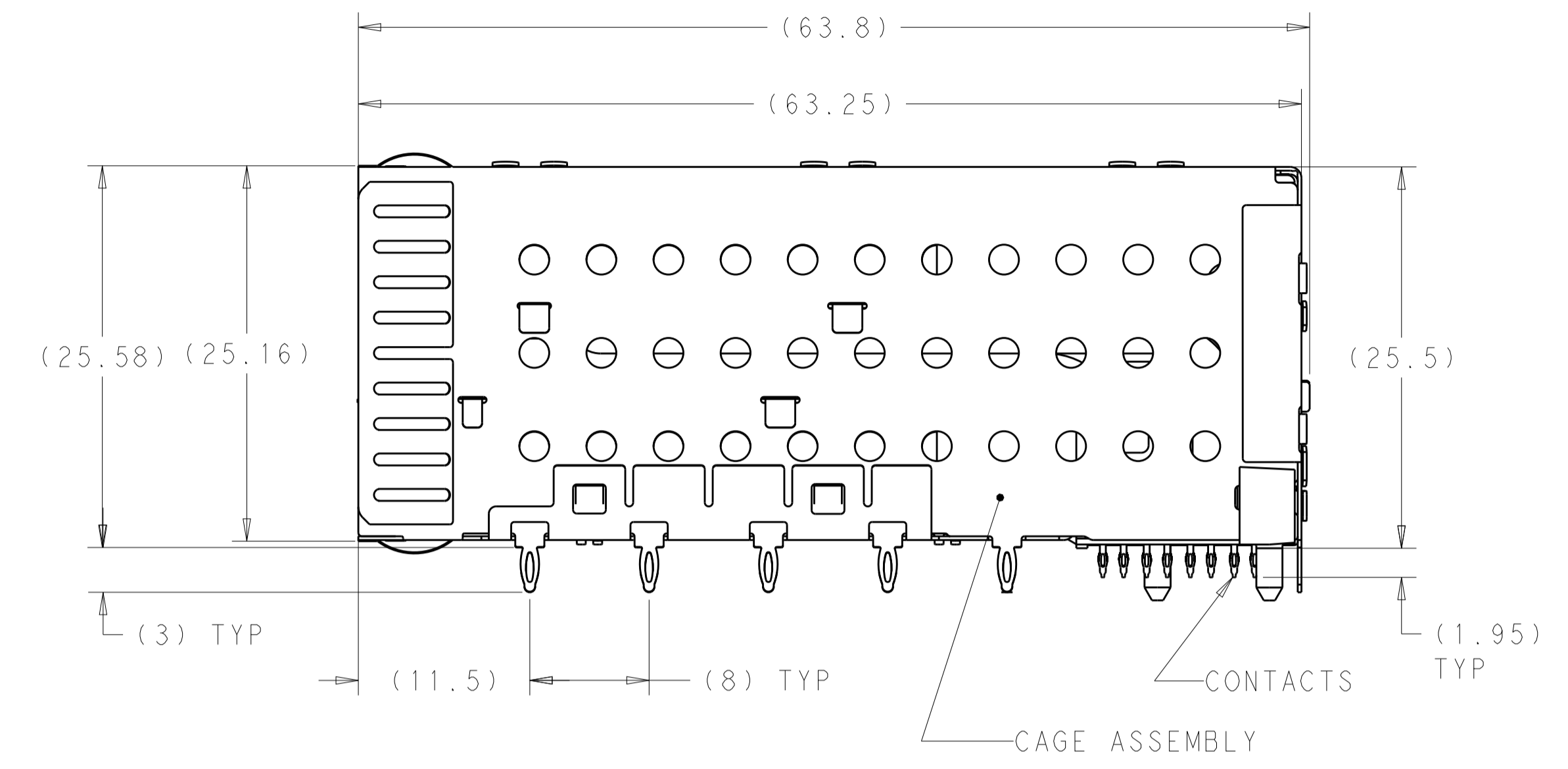
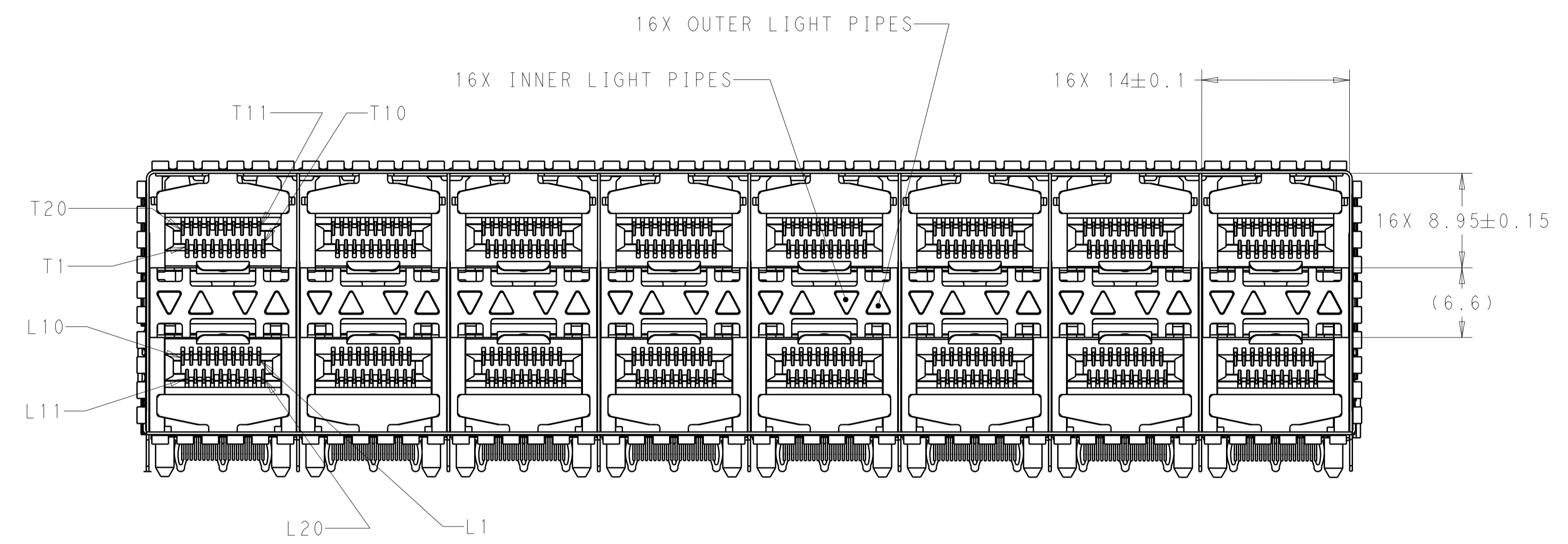


LOC	DIST	REVISIONS					
GP	00	P	LTN	DESCRIPTION	DATE	DWN	APVD
		B		REVISED PER ECO-15-017919	04APR2016	AP	RP



- ⚠ MATERIALS:
 CAGE ASSEMBLY- NICKEL SILVER ALLOY PER ASTM B 122.
 EMI SPRINGS- COPPER ALLOY.
 HOUSING- BLACK LCP, UL 94V-0 RATED.
 CHICKLET- BLACK LCP, UL 94V-0 RATED.
 LIGHT PIPE- POLYCARBONATE, CLEAR.
 CONTACT- COPPER ALLOY.
- ⚠ DATUM AND BASIC DIMENSIONS ESTABLISHED BY CUSTOMER.
- 3. MINIMUM PCB THICKNESS OF 1.5.
- ⚠ CONTACT FINISH- CONFORMS TO THE REQUIREMENTS OF TYCO ELECTRONICS PRODUCT SPECIFICATION 108-2331, BASED ON EIA/ECA-364-1000.01A, (CONTROLLED ENVIRONMENT APPLICATIONS) ON MATING INTERFACE, TIN-LEAD ON NEEDLE EYE.
- ⚠ CONTACT FINISH- CONFORMS TO THE REQUIREMENTS OF TYCO ELECTRONICS PRODUCT SPECIFICATION 108-2331, BASED ON EIA/ECA-364-1000.01A, (CONTROLLED ENVIRONMENT APPLICATIONS) ON MATING INTERFACE, TIN ON NEEDLE EYE.
- ⚠ FOR HOLE SIZE AND PLATINGS, SEE APPLICATION SPEC 114-13219.
- ⚠ THE ENTIRE AREA OF THE CONNECTOR FOOTPRINT, INDICATED BY THE DASHE LINE, TO BE CONSIDERED THE KEEP-OUT AREA FOR COMPONENTS AND SIGNAL TRACES, TOP SIDE ONLY. TOP SIDE TRACES ALLOWED WITHIN CONNECTOR HOLE PATTERN.
- ⚠ LIGHT PIPE PAD LAYOUT IS FOR 0805 LOW PROFILE LED PACKAGE WITH A HEIGHT OF 0.8mm.
- ⚠ EMI SPRING FINISH: 0.8µm MINIMUM MATTE TIN OVER 0.8µm MINIMUM NICKEL, NONPLATED EDGES PERMISSIBLE.
- ⚠ ADDITIONAL COMPONENT LOCATED WITHIN LATCH PLATE FOR EMI SUPPRESSION.

YES	NO	ENHANCED EMI	FINISH	DESCRIPTION	PART NUMBER
YES ⚠	NO	NO	NO	NO LIGHT PIPES	1-2149490-8
				OUTER 2 LIGHT PIPES	1-2149490-7
				INNER 2 LIGHT PIPES	1-2149490-6
NO	NO	NO	4 LIGHT PIPES	1-2149490-5	
			NO LIGHT PIPES	2149490-8	
			OUTER 2 LIGHT PIPES	2149490-7	
NO	NO	NO	INNER 2 LIGHT PIPES	2149490-6	
			4 LIGHT PIPES	2149490-5	
			NO LIGHT PIPES	2149490-4	
NO	NO	NO	OUTER 2 LIGHT PIPES	2149490-3	
			INNER 2 LIGHT PIPES	2149490-2	
			4 LIGHT PIPES	2149490-1	

4805 (3/11)

THIS DRAWING IS A CONTROLLED DOCUMENT. DIMENSIONING AND TOLERANCING PER ASME Y14.5M-2009.

DIMENSIONS: mm

TOLERANCES UNLESS OTHERWISE SPECIFIED:

0 PLC	±
1 PLC	±0.10
2 PLC	±0.15
3 PLC	±0.20
4 PLC	±0.30
ANGLES	±0.10

MATERIAL: 1

FINISH: 4, 5, 9

THIS DRAWING IS A CONTROLLED DOCUMENT. DIMENSIONING AND TOLERANCING PER ASME Y14.5M-2009.

DWN: C. VALENTINE 08OCT2010

CHK: J. PETERSON 08OCT2010

APVD: J. PETERSON 08OCT2010

NAME: CAGE AND PT CONNECTOR ASSEMBLY, WITH EMI SPRINGS, PRESS FIT, 2X8, STACKED SFP+

PRODUCT SPEC: 108-2331

APPLICATION SPEC: 114-13219

WEIGHT: -

CUSTOMER DRAWING

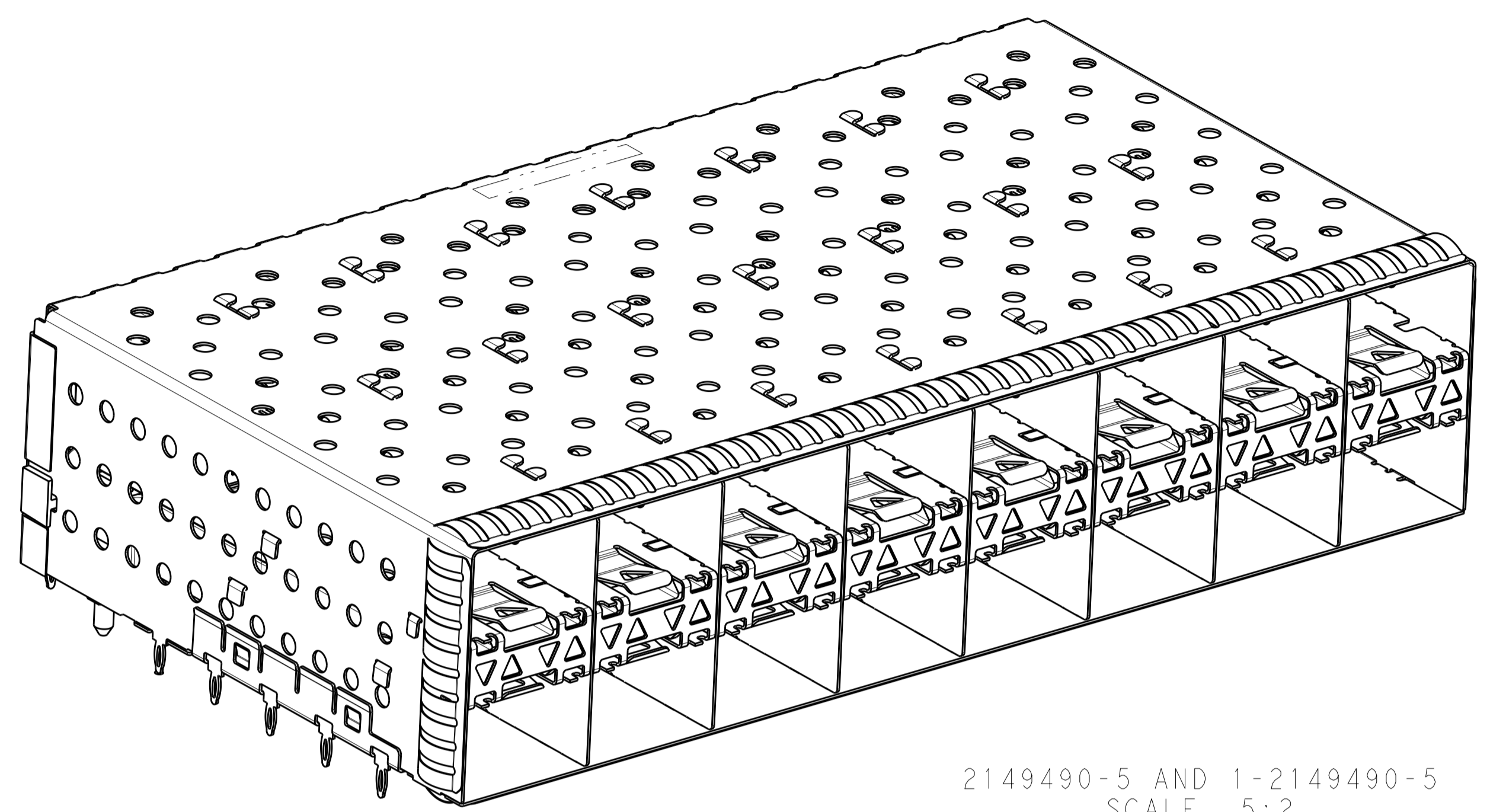
SCALE: 3:1

SHEET 1 OF 4

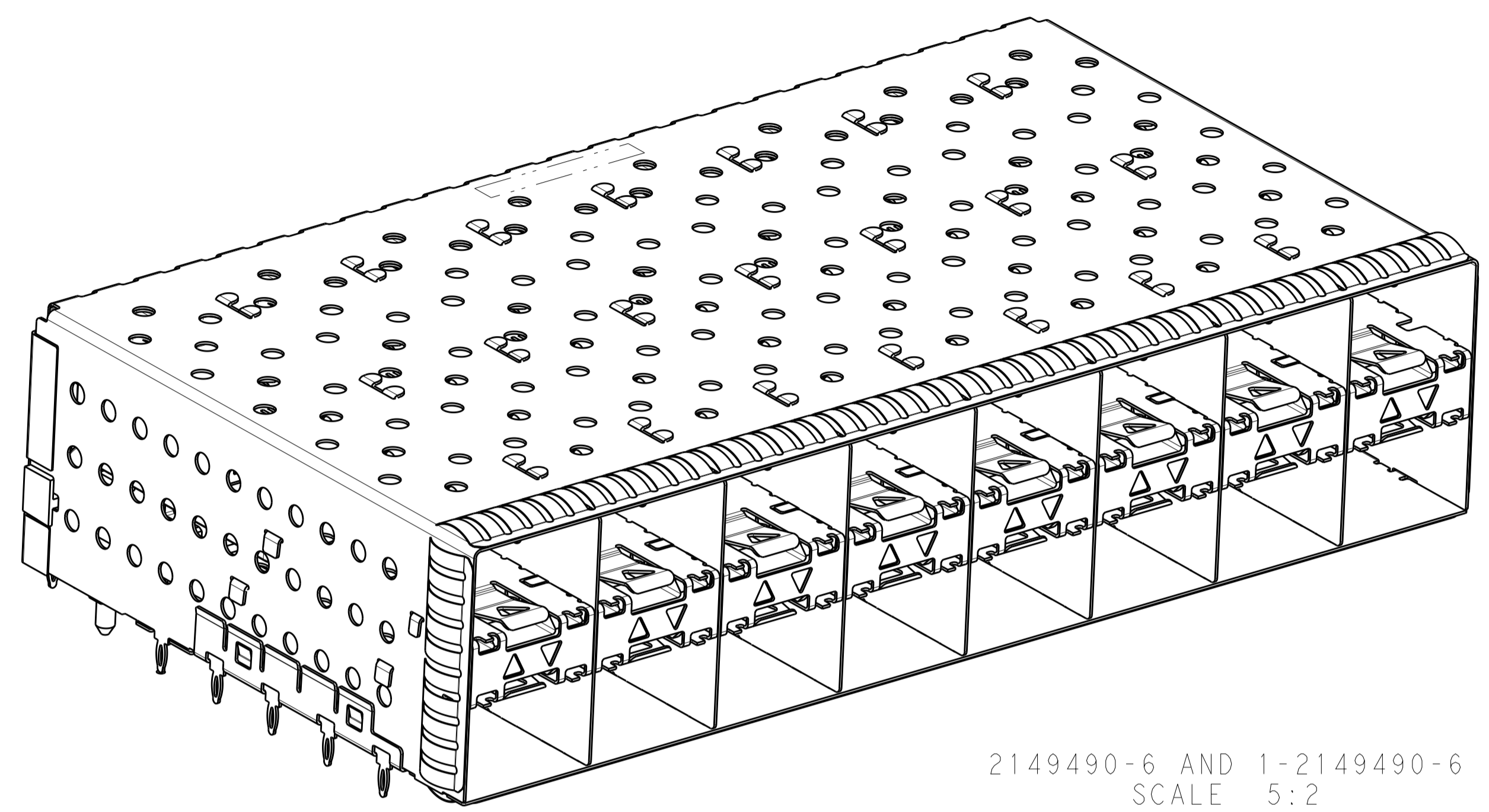
REV B

STE TE Connectivity

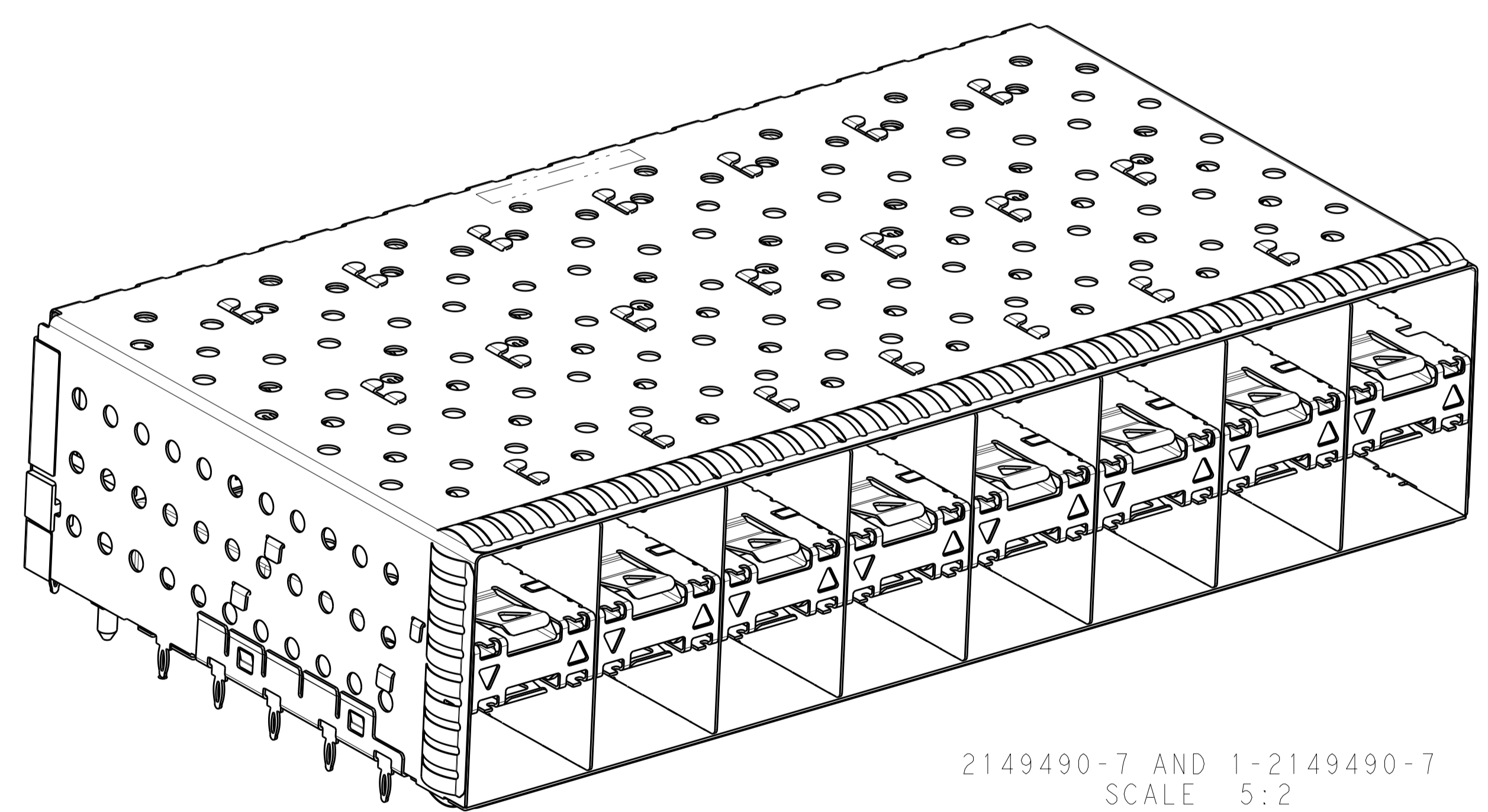
LOC	DIST	REVISIONS			
P.	LTN	DESCRIPTION	DATE	DMN	APVD
-	-	SEE SHEET 1	-	-	-



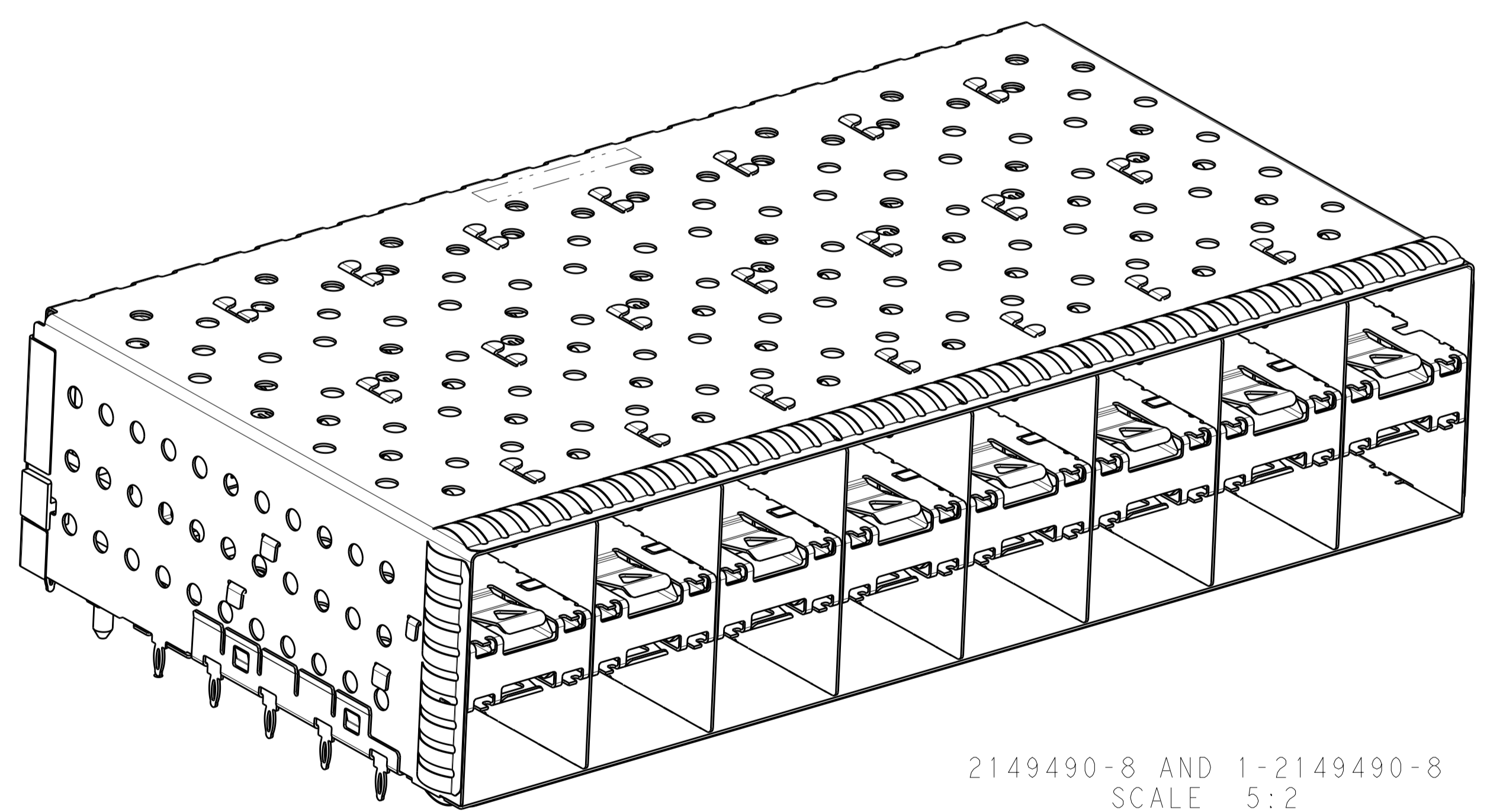
2149490-5 AND 1-2149490-5
 SCALE 5:2



2149490-6 AND 1-2149490-6
 SCALE 5:2



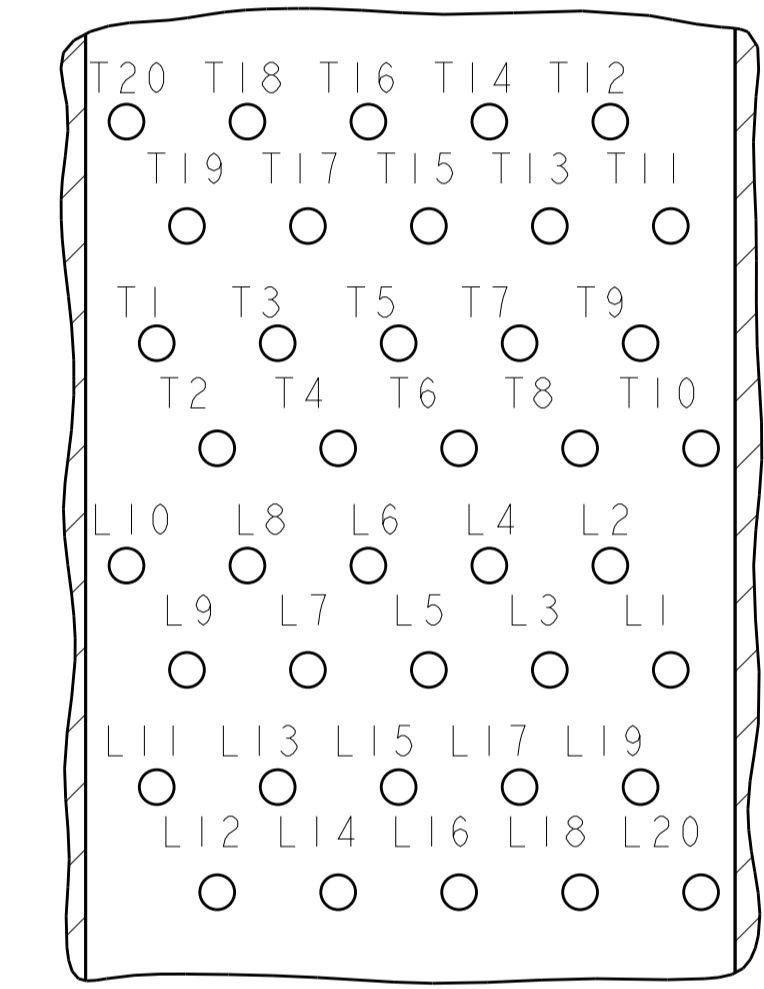
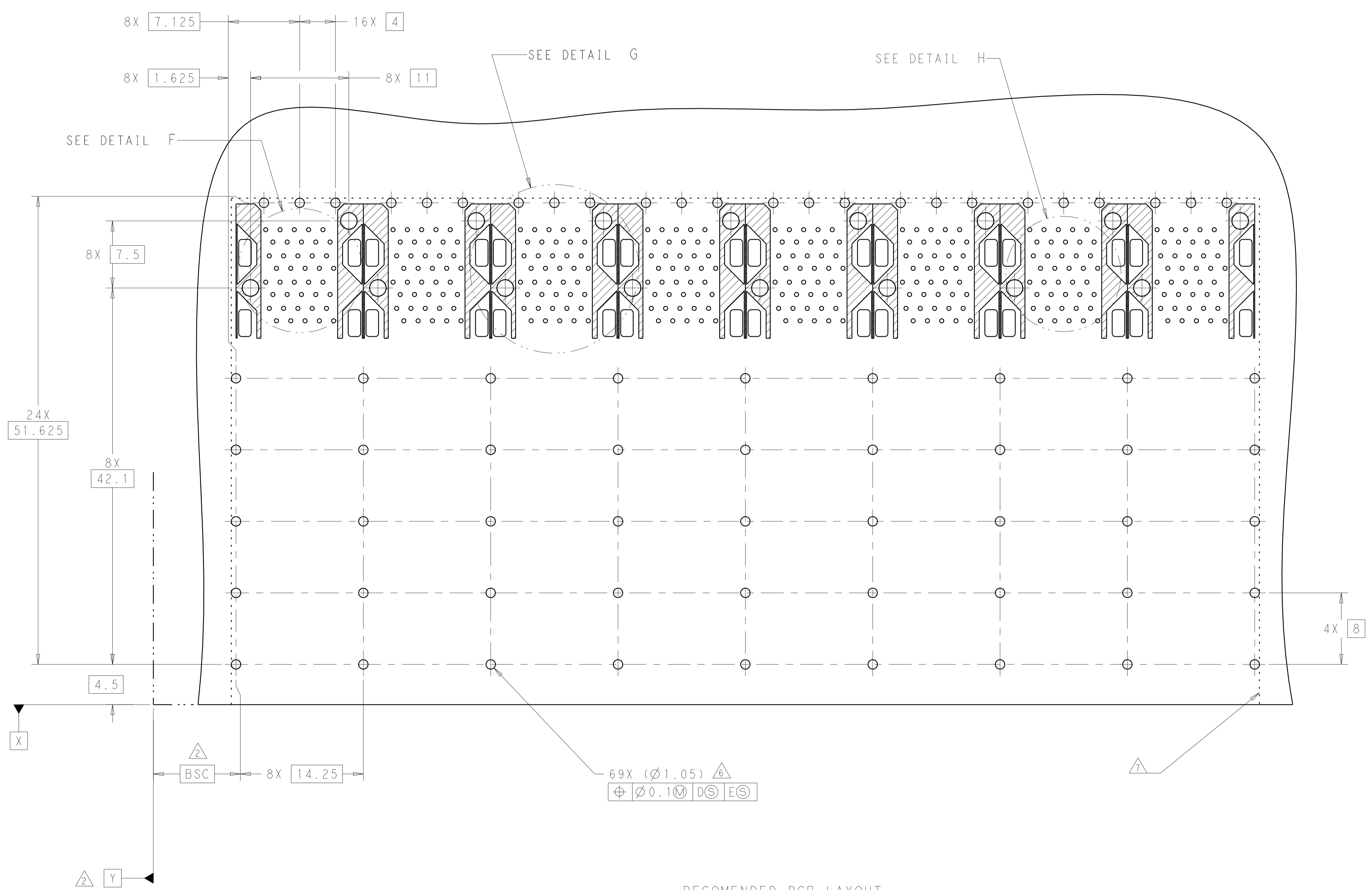
2149490-7 AND 1-2149490-7
 SCALE 5:2



2149490-8 AND 1-2149490-8
 SCALE 5:2

THIS DRAWING IS A CONTROLLED DOCUMENT. DIMENSIONING AND TOLERANCING PER ASME Y14.5M-2009		DMN C. VALENTINE 08OCT2010 CHK J. PETERSON 08OCT2010 APVD J. PETERSON 08OCT2010	TE Connectivity
DIMENSIONS: mm	TOLERANCES UNLESS OTHERWISE SPECIFIED: 0 PLC ± 1 PLC ±0.10 2 PLC ±0.10 3 PLC ±0.10 4 PLC ±0.10 ANGLES ±0.10	NAME CAGE AND PT CONNECTOR ASSEMBLY, WITH EMI SPRINGS, PRESS FIT, 2X8, STACKED SFP+ PRODUCT SPEC 108-2331 APPLICATION SPEC 114-13219 WEIGHT CUSTOMER DRAWING	
MATERIAL FINISH		SCALE 3:1 SHEET 2 OF 4 REV B	

LOC	DIST	REVISIONS					
		P.	LTH	DESCRIPTION	DATE	DWN	APVD
		-	-	SEE SHEET 1	-	-	-

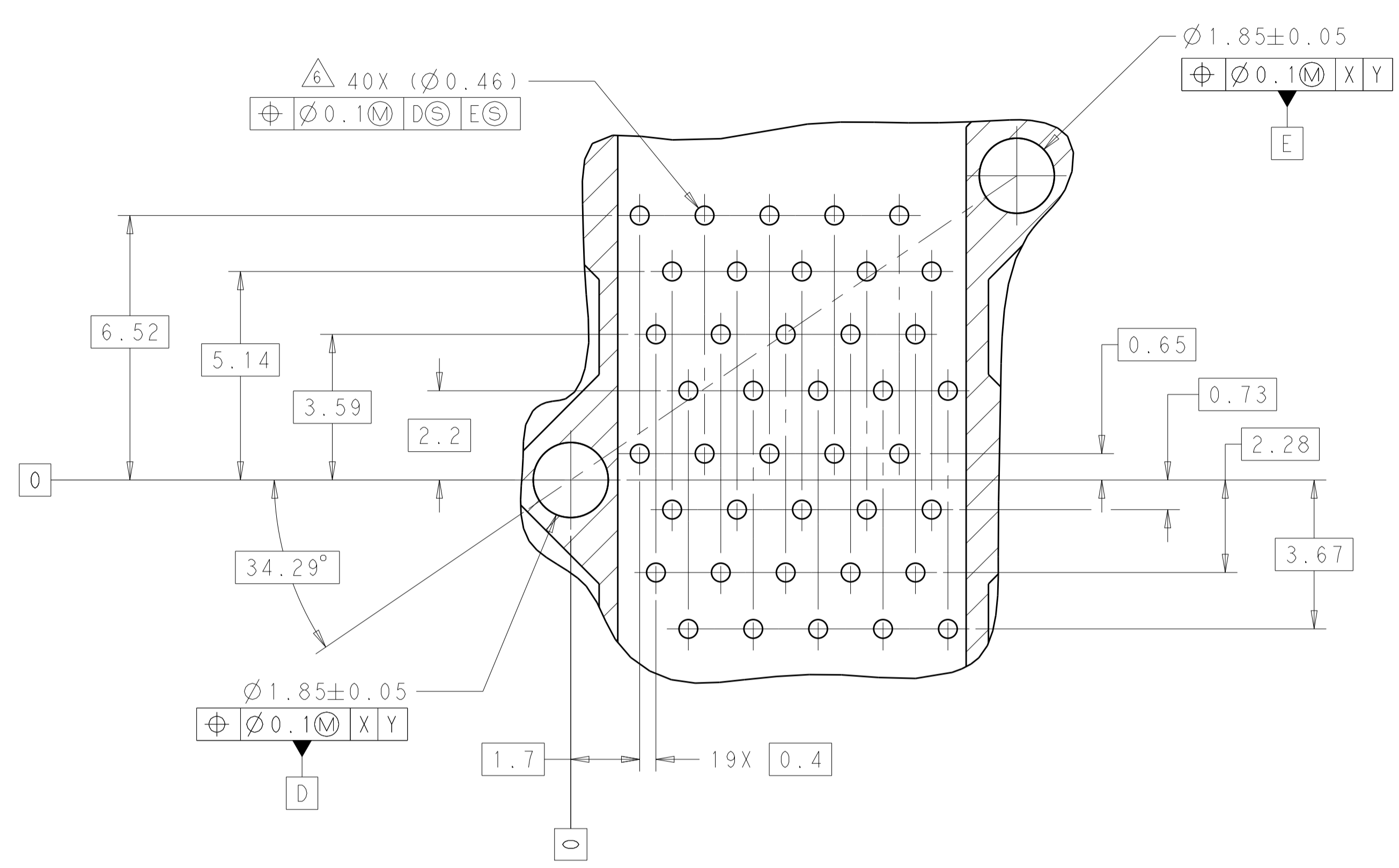


DETAIL H
 CONNECTOR PIN-OUT
 COMPONENT SIDE OF BOARD
 8X INDIVIDUALLY
 SCALE 10:1

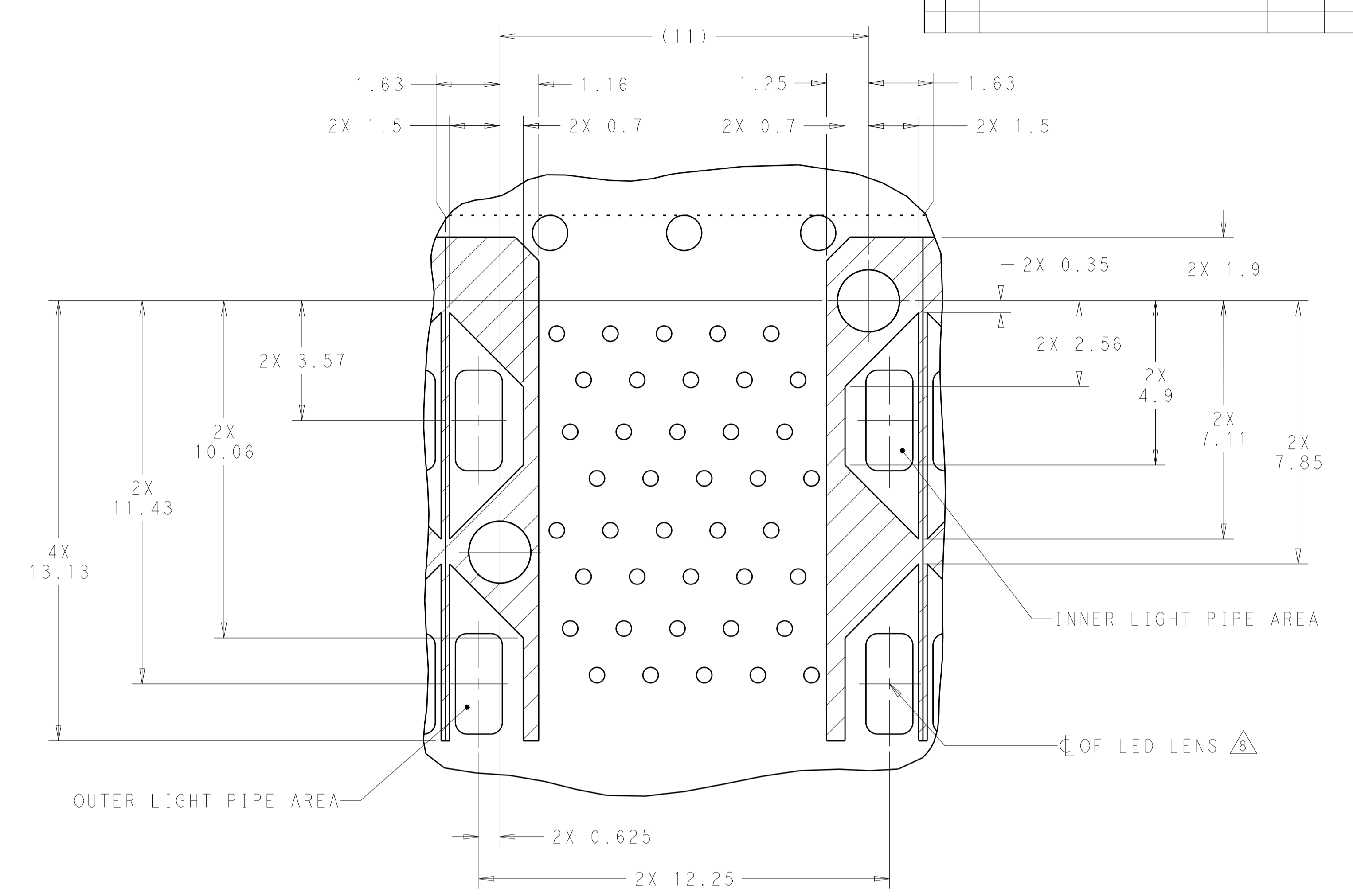
RECOMENDED PCB LAYOUT
 COMPONENT SIDE OF THE BOARD
 SCALE 4:1

THIS DRAWING IS A CONTROLLED DOCUMENT. DIMENSIONING AND TOLERANCING PER ASME Y14.5M-2009.		DWN C. VALENTINE 08OCT2010	TE Connectivity NAME CAGE AND PT CONNECTOR ASSEMBLY, WITH EMI SPRINGS, PRESS FIT, 2X8, STACKED SFP+
DIMENSIONS: mm		CHK J. PETERSON 08OCT2010	
TOLERANCES UNLESS OTHERWISE SPECIFIED:		APVD J. PETERSON 08OCT2010	PRODUCT SPEC 108-2331
0 PLC ±.10		APPLICATION SPEC 114-13219	SIZE A1
1 PLC ±0.10		WEIGHT	CAGE CODE 00779
2 PLC ±0.10		FINISH	DRAWING NO 2149490
3 PLC ±0.10			RESTRICTED TO
4 PLC ±0.10			
ANGLES ±.10			
CUSTOMER DRAWING		SCALE 3:1	SHEET 3 OF 4
			REV B

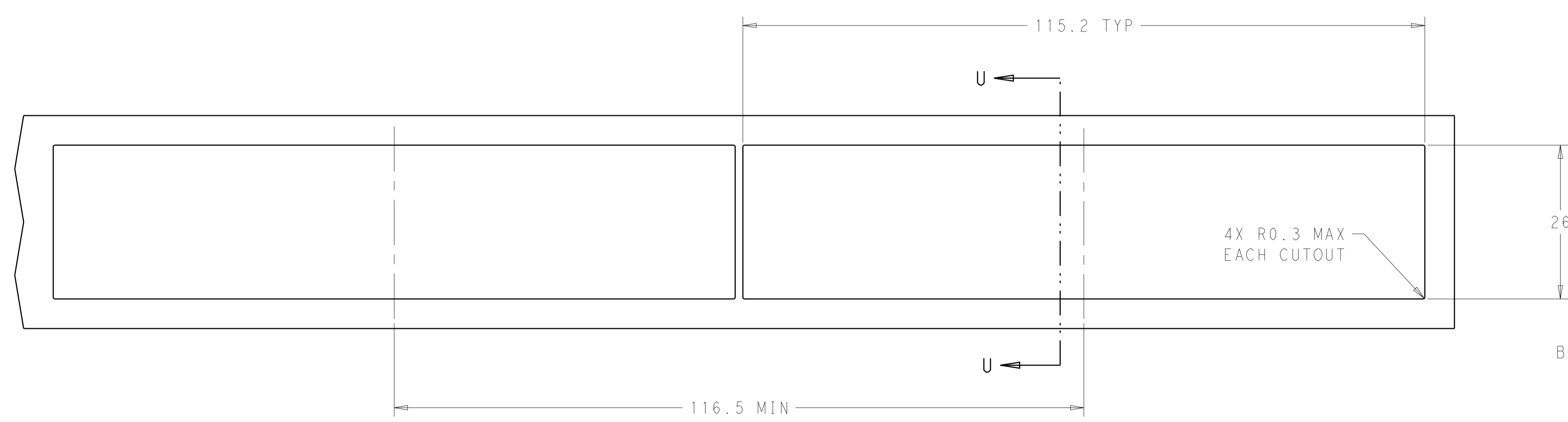
LOC	DIST	REVISIONS			
P	LTN	DESCRIPTION	DATE	DMN	APVD
-	-	SEE SHEET 1	-	-	-



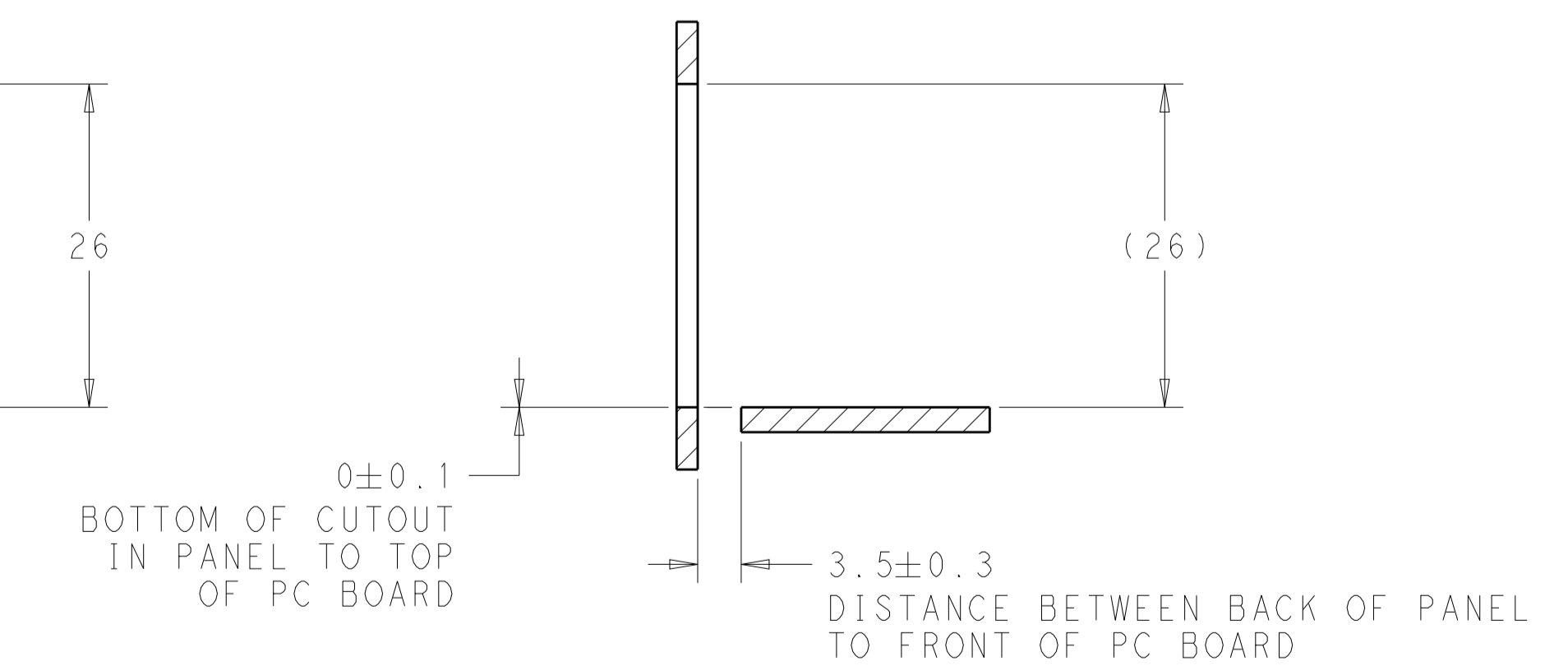
DETAIL F
8X INDIVIDUALLY
SCALE 10:1



DETAIL G
CONNECTOR HOUSING
KEEPOUT ZONE
8X INDIVIDUALLY
SCALE 10:1



RECOMMENDED PANEL CUTOUT
AND PC BOARD, PANEL LAYOUT
SCALE 2:1



SECTION U-U
SCALE 2:1

THIS DRAWING IS A CONTROLLED DOCUMENT. DIMENSIONING AND TOLERANCING PER ASME Y14.5M-2009.		DMN C. VALENTINE 08OCT2010	TE Connectivity
DIMENSIONS: mm		CHK J. PETERSON 08OCT2010	
TOLERANCES UNLESS OTHERWISE SPECIFIED:		APVD J. PETERSON 08OCT2010	NAME CAGE AND PT CONNECTOR ASSEMBLY, WITH EMI SPRINGS, PRESS FIT, 2X8, STACKED SFP+
0 PLC ±.10		PRODUCT SPEC	
1 PLC ±0.10		108-2331	SIZE CAGE CODE DRAWING NO A100779C=2149490
2 PLC ±0.10		APPLICATION SPEC	
3 PLC ±0.10		114-13219	RESTRICTED TO -
4 PLC ±0.10		WEIGHT	
ANGLES ±0.10		CUSTOMER DRAWING	SCALE 3:1 SHEET 4 OF 4 REV B
FINISH			