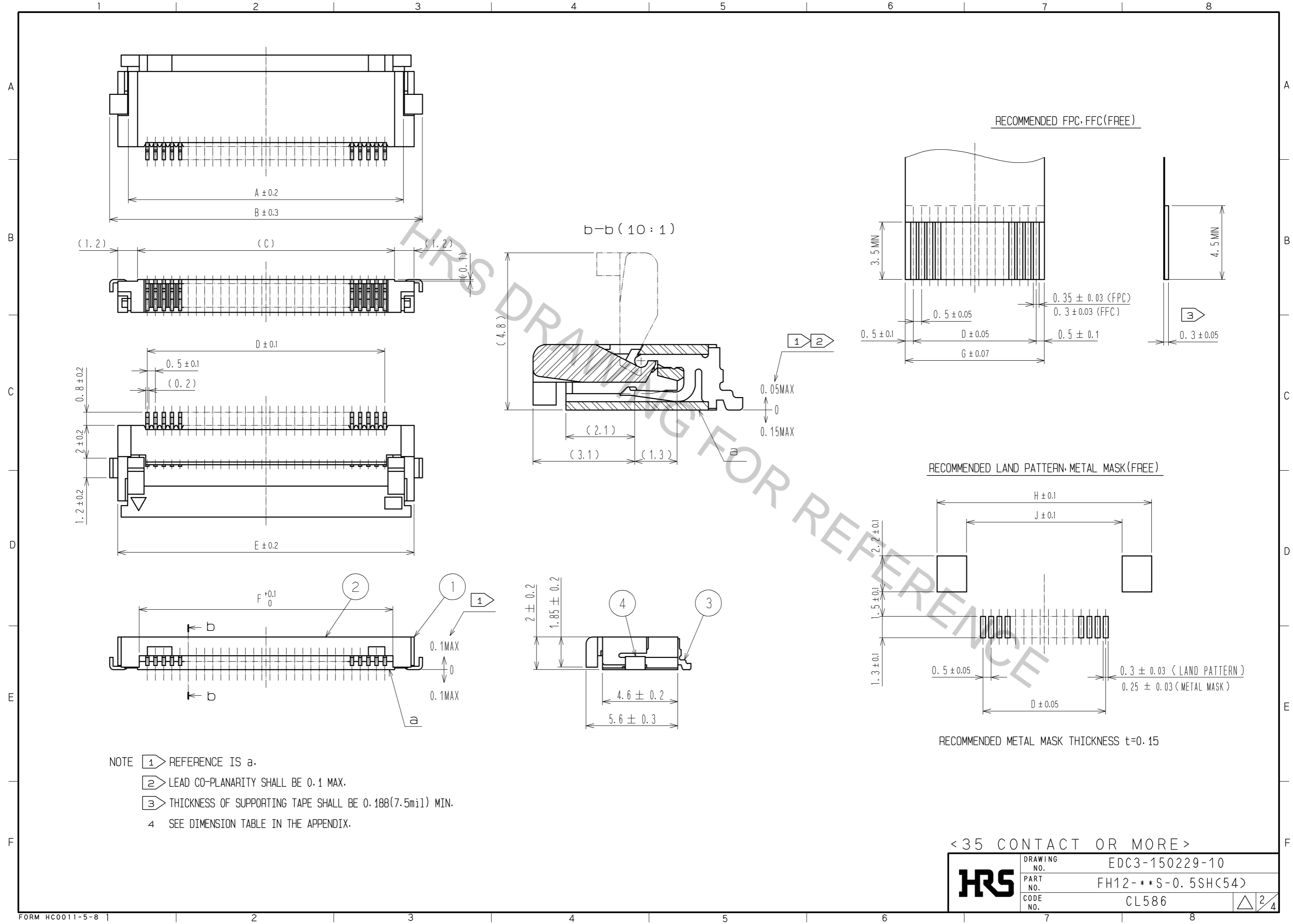


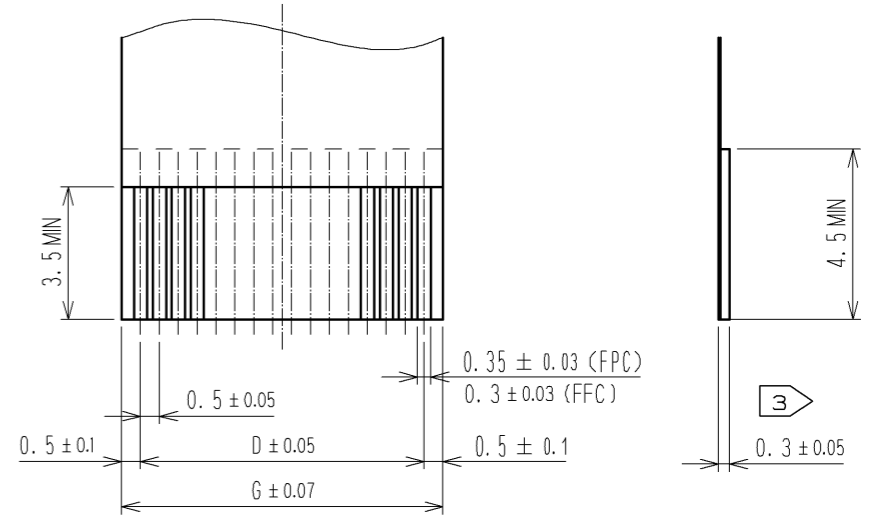
4	BRASS	TIN PLATING 1μMIN OVER NICKEL 1μMIN.	8	(CONNECTOR)	
3	PHOSPHOR BRONZE	{CONTACT AREA, LEAD} GOLD PLATING 0.05μMIN OVER NICKEL 1μMIN {OTHER} NICKEL PLATING 1μMIN	7	POLYSTYRENE	
2	PPS	(DEEP BROWN) UL94V-0	6	POLYESTER	
1	POLYAMIDE	(BEIGE) UL94V-0	5	POLYSTYRENE	
NO.	MATERIAL	FINISH, REMARKS	NO.	MATERIAL	FINISH, REMARKS

UNITS mm		SCALE 5 : 1	COUNT 	DESCRIPTION OF REVISIONS	DESIGNED	CHECKED	DATE
APPROVED : MO. ISHIDA 12.06.12				DRAWING NO. EDC3-150229-10			
CHECKED : HS. SAKAMOTO 12.06.12				PART NO. FH12-**S-0.5SH(54)			
DESIGNED : NM. SANPEI 12.06.11				CODE NO. CL586			
DRAWN : NM. SANPEI 12.06.11							

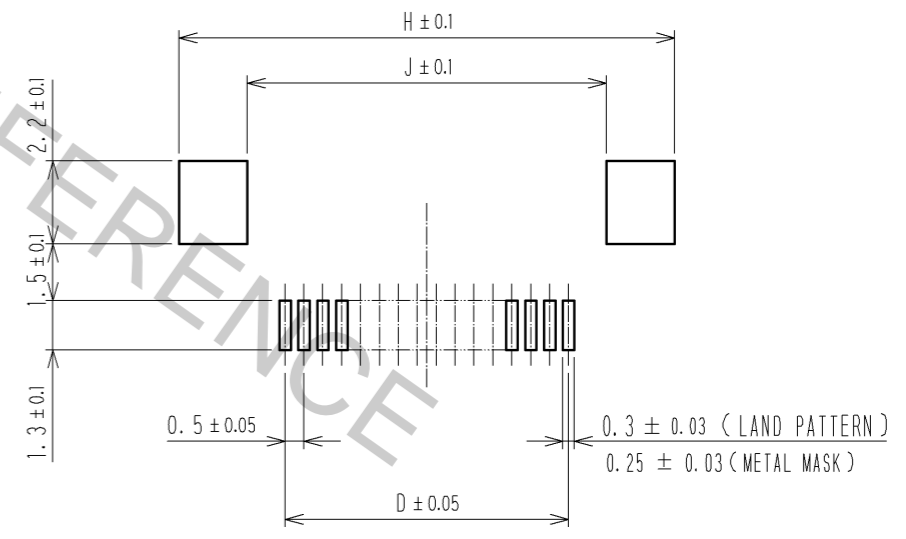


- NOTE
- ① REFERENCE IS a.
  - ② LEAD CO-PLANARITY SHALL BE 0.1 MAX.
  - ③ THICKNESS OF SUPPORTING TAPE SHALL BE 0.188(7.5mil) MIN.
  - ④ SEE DIMENSION TABLE IN THE APPENDIX.

RECOMMENDED FPC, FFC(FREE)



RECOMMENDED LAND PATTERN, METAL MASK(FREE)



RECOMMENDED METAL MASK THICKNESS t=0.15

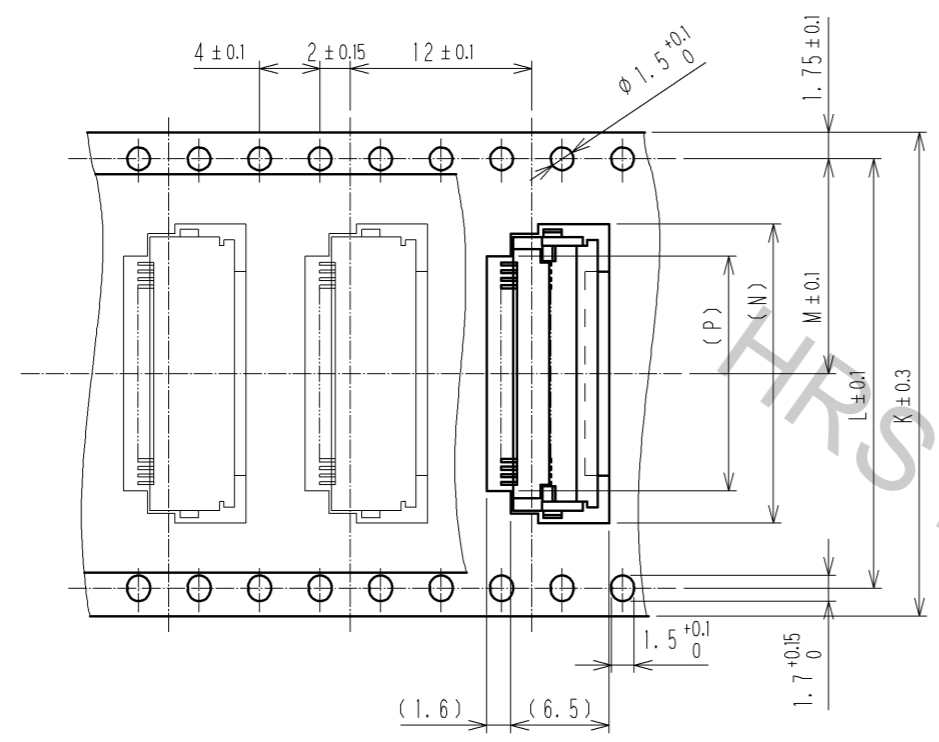
< 35 CONTACT OR MORE >

<b>HRS</b>	DRAWING NO.	EDC3-150229-10
	PART NO.	FH12-**S-0.5SH(54)
	CODE NO.	CL586
		2/4

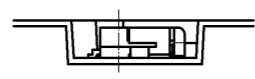
1 2 3 4 5 6 7 8

EMBOSSED CARRIER TAPE DIMENSION (2:1)

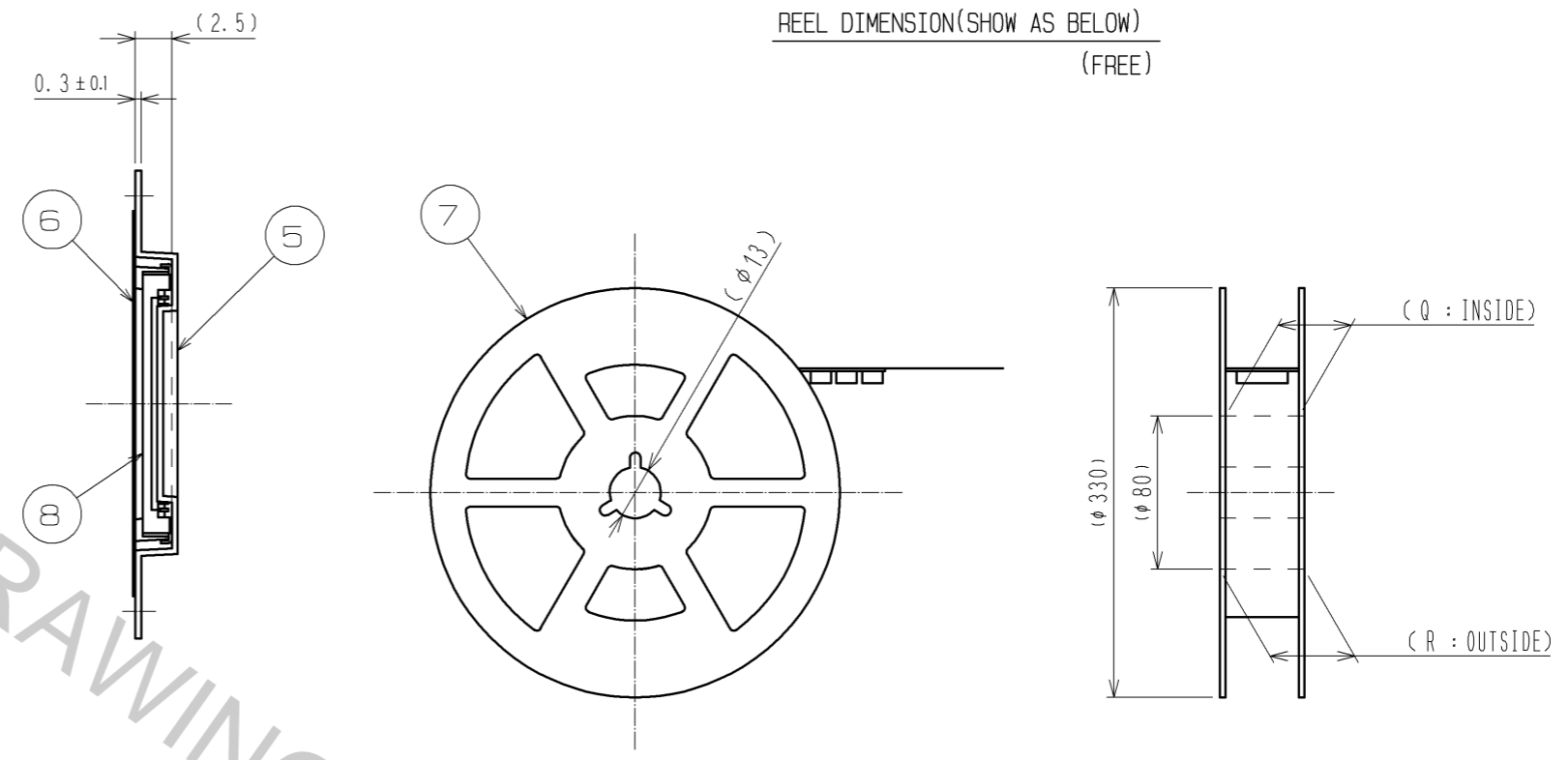
TAPE WIDTH:32mm MIN



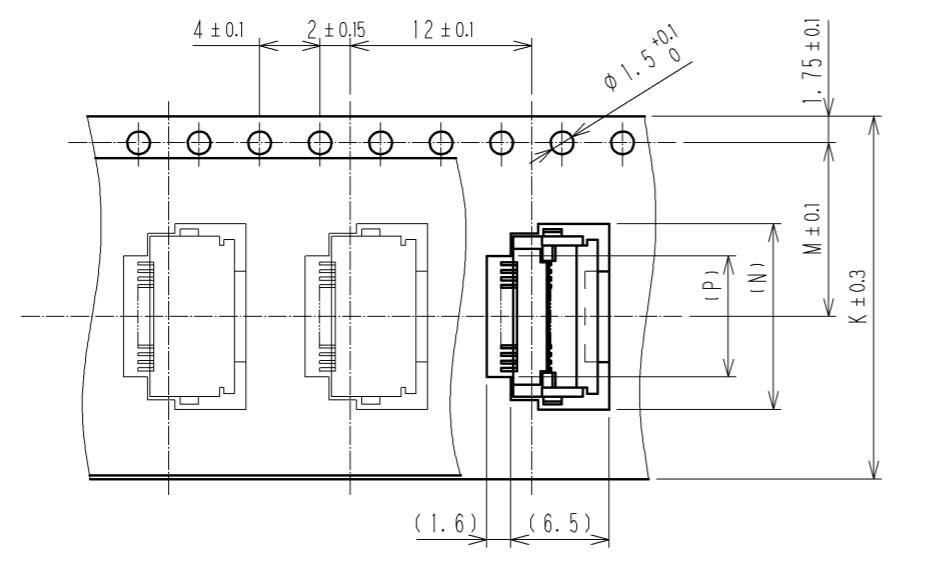
DIRECTION OF UNREELING



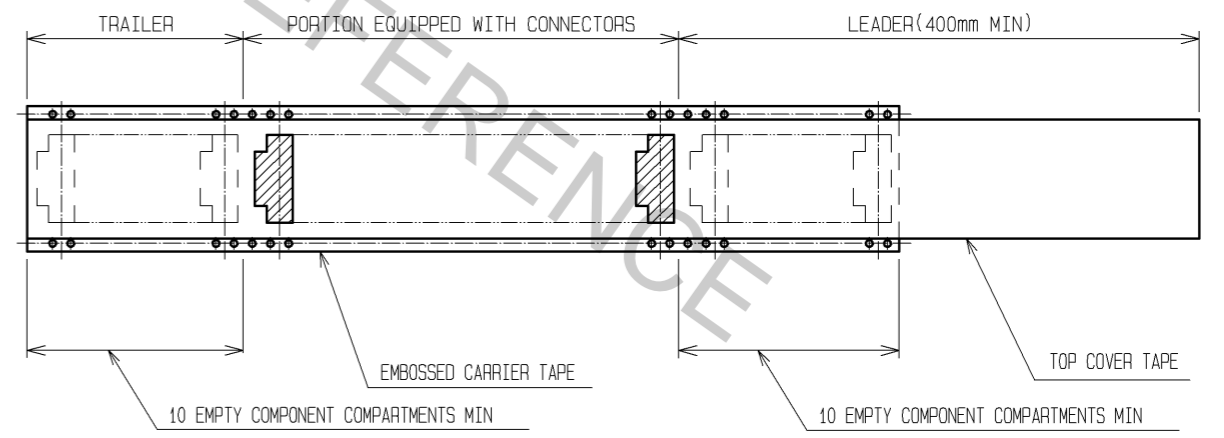
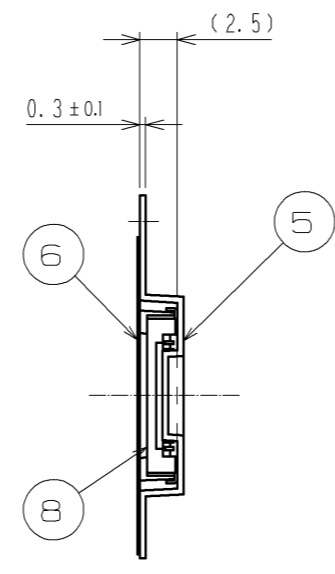
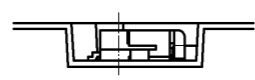
REEL DIMENSION(SHOW AS BELOW)  
(FREE)



TAPE WIDTH:24mm MAX



DIRECTION OF UNREELING



NOTE 6 THE DIMENSIONS IN PARENTHESES ARE FOR REFERENCE.  
7 1 REEL : 2000 CONNECTORS.  
8 SEE DIMENSION TABLE IN THE APPENDIX.

<DRAWING FOR PACKING>

<b>HRS</b>	DRAWING NO.	EDC3-150229-10
	PART NO.	FH12-**S-0.5SH(54)
	CODE NO.	CL586
		3/4

DIMENSION TABLE OF CONNECTOR, FPC, FFC, LAND PATTERN AND METAL MASK

PART NO.	CODE NO.	*	A	B	C	D	E	F	G	H	J
FH12- 6S-0.5SH(54)	CL586-0582-5-54	6	4.9	7.1	3.7	2.5	6.1	3.57	3.5	8.1	4.5
FH12- 8S-0.5SH(54)	CL586-0744-5-54	8	5.9	8.1	4.7	3.5	7.1	4.57	4.5	9.1	5.5
FH12-10S-0.5SH(54)	CL586-0522-3-54	10	6.9	9.1	5.7	4.5	8.1	5.57	5.5	10.1	6.5
FH12-11S-0.5SH(54)	CL586-0600-5-54	11	7.4	9.6	6.2	5	8.6	6.07	6	10.6	7
FH12-12S-0.5SH(54)	CL586-0704-0-54	12	7.9	10.4	6.7	5.5	9.1	6.57	6.5	11.1	7.5
FH12-13S-0.5SH(54)	CL586-0549-0-54	13	8.4	10.6	7.2	6	9.6	7.07	7	11.6	8
FH12-14S-0.5SH(54)	CL586-0533-0-54	14	8.9	11.1	7.7	6.5	10.1	7.57	7.5	12.1	8.5
FH12-15S-0.5SH(54)	CL586-0523-6-54	15	9.4	11.6	8.2	7	10.6	8.07	8	12.6	9
FH12-16S-0.5SH(54)	CL586-0531-4-54	16	9.9	12.1	8.7	7.5	11.1	8.57	8.5	13.1	9.5
FH12-17S-0.5SH(54)	CL586-0606-1-54	17	10.4	12.6	9.2	8	11.6	9.07	9	13.6	10
FH12-18S-0.5SH(54)	CL586-0530-1-54	18	10.9	13.1	9.7	8.5	12.1	9.57	9.5	14.1	10.5
FH12-19S-0.5SH(54)	CL586-0534-2-54	19	11.4	13.6	10.2	9	12.6	10.07	10	14.6	11
FH12-20S-0.5SH(54)	CL586-0524-9-54	20	11.9	14.1	10.7	9.5	13.1	10.57	10.5	15.1	11.5
FH12-22S-0.5SH(54)	CL586-0532-7-54	22	12.9	15.1	11.7	10.5	14.1	11.57	11.5	16.1	12.5
FH12-24S-0.5SH(54)	CL586-0521-0-54	24	13.9	16.1	12.7	11.5	15.1	12.57	12.5	17.1	13.5
FH12-25S-0.5SH(54)	CL586-0692-3-54	25	14.4	16.6	13.2	12	15.6	13.07	13	17.6	14
FH12-26S-0.5SH(54)	CL586-0576-2-54	26	14.9	17.1	13.7	12.5	16.1	13.57	13.5	18.1	14.5
FH12-28S-0.5SH(54)	CL586-0612-4-54	28	15.9	18.1	14.7	13.5	17.1	14.57	14.5	19.1	15.5
FH12-30S-0.5SH(54)	CL586-0525-1-54	30	16.9	19.1	15.7	14.5	18.1	15.57	15.5	20.1	16.5
FH12-32S-0.5SH(54)	CL586-0681-7-54	32	17.9	20.1	16.7	15.5	19.1	16.57	16.5	21.1	17.5
FH12-33S-0.5SH(54)	CL586-0520-8-54	33	18.4	20.6	17.2	16	19.6	17.07	17	21.6	18
FH12-34S-0.5SH(54)	CL586-0617-8-54	34	18.9	21.1	17.7	16.5	20.1	17.57	17.5	22.1	18.5
FH12-35S-0.5SH(54)	CL586-0740-4-54	35	19.4	21.6	18.2	17	20.6	18.07	18	22.6	19
FH12-36S-0.5SH(54)	CL586-0526-4-54	36	19.9	22.1	18.7	17.5	21.1	18.57	18.5	23.1	19.5
FH12-40S-0.5SH(54)	CL586-0527-7-54	40	21.9	24.1	20.7	19.5	23.1	20.57	20.5	25.1	21.5
FH12-45S-0.5SH(54)	CL586-0528-0-54	45	24.4	26.6	23.2	22	25.6	23.07	23	27.6	24
FH12-50S-0.5SH(54)	CL586-0529-2-54	50	26.9	29.1	25.7	24.5	28.1	25.57	25.5	30.1	26.5
FH12-53S-0.5SH(54)	CL586-0595-7-54	53	28.4	30.6	27.2	26	29.6	27.07	27	31.6	28

DIMENSION TABLE OF DRAWING FOR PACKING

PART NO.	CODE NO.	*	K	L	M	N	P	Q	R
FH12- 6S-0.5SH(54)	CL586-0582-5-54	6	16	—	7.5	7.8	3.5	17.4	21.4
FH12- 8S-0.5SH(54)	CL586-0744-5-54	8	16	—	7.5	8.8	4.5	17.4	21.4
FH12-10S-0.5SH(54)	CL586-0522-3-54	10	16	—	7.5	9.8	5.5	17.4	21.4
FH12-11S-0.5SH(54)	CL586-0600-5-54	11	16	—	7.5	10.3	6	17.4	21.4
FH12-12S-0.5SH(54)	CL586-0704-0-54	12	24	—	11.5	10.8	6.5	25.4	29.4
FH12-13S-0.5SH(54)	CL586-0549-0-54	13	24	—	11.5	11.3	7	25.4	29.4
FH12-14S-0.5SH(54)	CL586-0533-0-54	14	24	—	11.5	11.8	7.5	25.4	29.4
FH12-15S-0.5SH(54)	CL586-0523-6-54	15	24	—	11.5	12.3	8	25.4	29.4
FH12-16S-0.5SH(54)	CL586-0531-4-54	16	24	—	11.5	12.8	8.5	25.4	29.4
FH12-17S-0.5SH(54)	CL586-0606-1-54	17	24	—	11.5	13.3	9	25.4	29.4
FH12-18S-0.5SH(54)	CL586-0530-1-54	18	24	—	11.5	13.8	9.5	25.4	29.4
FH12-19S-0.5SH(54)	CL586-0534-2-54	19	24	—	11.5	14.3	10	25.4	29.4
FH12-20S-0.5SH(54)	CL586-0524-9-54	20	24	—	11.5	14.8	10.5	25.4	29.4
FH12-22S-0.5SH(54)	CL586-0532-7-54	22	24	—	11.5	15.8	11.5	25.4	29.4
FH12-24S-0.5SH(54)	CL586-0521-0-54	24	24	—	11.5	16.8	12.5	25.4	29.4
FH12-25S-0.5SH(54)	CL586-0692-3-54	25	24	—	11.5	17.3	13	25.4	29.4
FH12-26S-0.5SH(54)	CL586-0576-2-54	26	24	—	11.5	17.8	13.5	25.4	29.4
FH12-28S-0.5SH(54)	CL586-0612-4-54	28	32	28.4	14.2	18.8	14.5	33.4	37.4
FH12-30S-0.5SH(54)	CL586-0525-1-54	30	32	28.4	14.2	19.8	15.5	33.4	37.4
FH12-32S-0.5SH(54)	CL586-0681-7-54	32	32	28.4	14.2	20.8	16.5	33.4	37.4
FH12-33S-0.5SH(54)	CL586-0520-8-54	33	32	28.4	14.2	21.3	17	33.4	37.4
FH12-34S-0.5SH(54)	CL586-0617-8-54	34	32	28.4	14.2	21.8	17.5	33.4	37.4
FH12-35S-0.5SH(54)	CL586-0740-4-54	35	44	40.4	20.2	22.3	18	45.4	49.4
FH12-36S-0.5SH(54)	CL586-0526-4-54	36	44	40.4	20.2	22.8	18.5	45.4	49.4
FH12-40S-0.5SH(54)	CL586-0527-7-54	40	44	40.4	20.2	24.8	20.5	45.4	49.4
FH12-45S-0.5SH(54)	CL586-0528-0-54	45	44	40.4	20.2	27.3	23	45.4	49.4
FH12-50S-0.5SH(54)	CL586-0529-2-54	50	44	40.4	20.2	29.8	25.5	45.4	49.4
FH12-53S-0.5SH(54)	CL586-0595-7-54	53	44	40.4	20.2	31.3	27	45.4	49.4

\* : NUMBER OF CONTACTS

<b>HRS</b>	DRAWING NO.	EDC3-150229-10
	PART NO.	FH12- ** S-0.5SH(54)
	CODE NO.	CL586