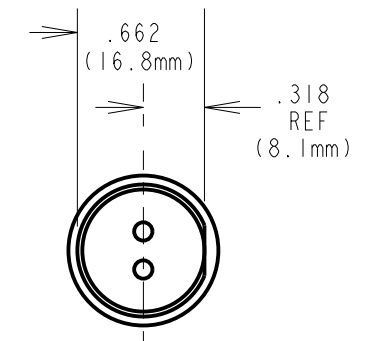
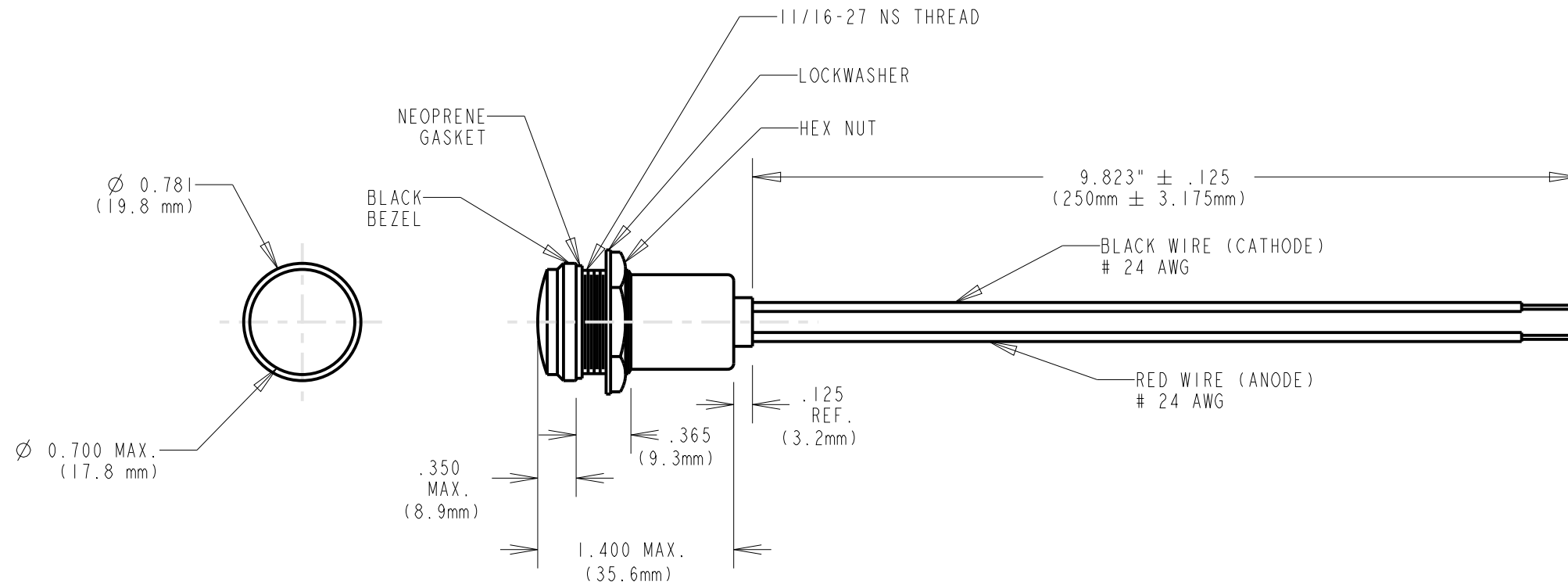
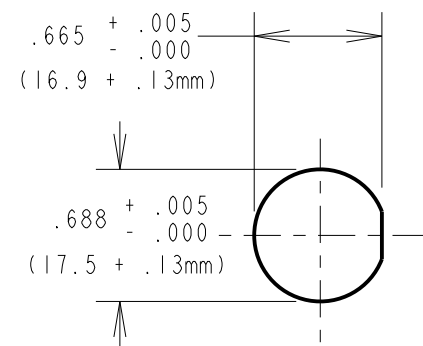


PART NUMBER	COLOR	V _F TYP ^(V)	I _F TYP ^(mA)	INTENSITY (F _I)
557-1503-807F	RED	12 V	20 mA	1000
557-1603-805F	GREEN	12 V	16 mA	1000
557-1703-803F	YELLOW	12 V	28 mA	1000

REV	ECN NO	REVISIONS	DRN	CKD	APP	DATE
A	—	NEW RELEASE	CB	—	—	2-14-05
B	—	ADDED F SUFFIX IN P/N'S	BP	—	SK	7-24-17



MAX. PANEL THICKNESS: .200
SPACING TO : 1.000



RECOMMENDED MOUNTING HOLE

- NOTES:
1. WIRE LEADS 24 AWG. 7/32 STRANDED PRE-BONDED. TYPE C MIL-W-16878D
 2. DIALIGHT PART NUMBER: PER SHOWN TABLE

THIS DRAWING AND THE CONTENTS HEREIN ARE CONFIDENTIAL AND THE SOLE PROPERTY OF DIALIGHT CORP. REPRODUCTION OF THIS DRAWING OR CONSTRUCTION OF ANY PARTS WITHIN THIS DRAWING ARE FORBIDDEN WITHOUT THE WRITTEN CONSENT OF DIALIGHT CORP.		
SCALE: DRAWING SCALE ALL DIM'S: INCH (mm)	DRAWING NUMBER C-17207	REV B
TOLERANCES: UNLESS OTHERWISE SPECIFIED FRACTIONS: ±1/64 DECIMALS (.XX): ±.01 DECIMALS (.XXX): ±.005 DECIMALS (.XXXX): ±.0005 ANGLES: ±1°	TITLE 11/16" MOUNTING HOLE WATERTIGHT PMI/250 mm LEADS	
FINISH	MATERIAL	
FSCM 83330	 1501 ROUTE 34 SOUTH FARMINGDALE, NJ 07727 (732) 919-3119 www.dialight.com	
SHEET 1 OF 1		FAMILY TABLE: