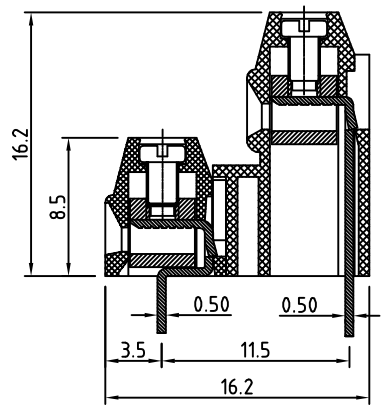
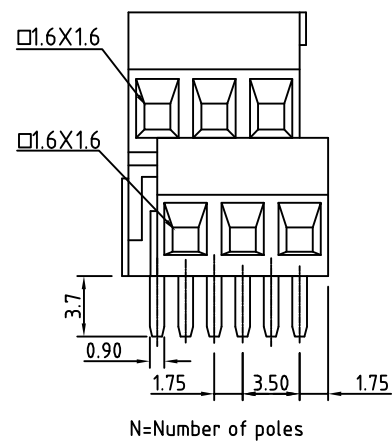
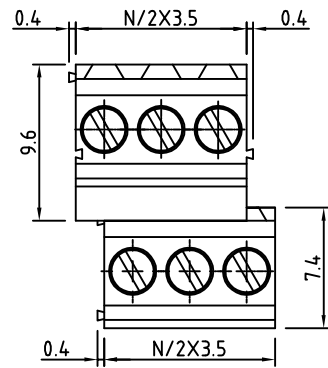


|      |      |  |          |
|------|------|--|----------|
| SIGN | DATE | DESCRIPTION                                    | APPROVER |
|      |      | THIS IS CAD DRAWING, DO NOT REVISE MANUALLY!!! |          |



- Material**
- Terminal body
  - (metal housing): Brass(CuZn)
  - Terminal screw: Steel Zinc plating "-" slot type
  - Contacts: Brass
  - Surface of solder tail: Tin plated
  - Insulator (housing): Thermoplastic (UL94V-0)

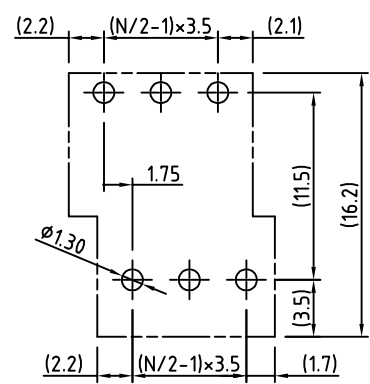
- Electrical**
- Voltage rating: 150VAC
  - Current rating: 10A
  - Wire range:
    - Solid wire(AWG): 16-24
    - Stranded wire(AWG): 16-24
  - Torque(Lb-In): 1.7
  - Screw: M2
  - Wire strip length: 5-6mm
  - Withstanding Voltage: 1.3KV
  - Operating temperature: -30°C to +105°C
  - Soldering temperature: 245°C±10°C/5 Sec
  - Safety Approval: (cULus) pending
- RoHS Compliant

PART NUMBER

**OSTYQXX2150**

|              |                     |
|--------------|---------------------|
| No. of Poles | COLOR:              |
| 04: 4 Poles  | 0: Black            |
| 06: 6 Poles  | 5: Green (Standard) |
| ... ..       | 6: Blue             |
| 48: 48 Poles | 8: Grey             |

P.C.B LAYOUT



THESE DRAWINGS AND SPECIFICATIONS ARE THE PROPERTY OF ON-SHORE TECHNOLOGY, INC. AND SHALL NOT BE REPRODUCED, COPIED OR USED IN ANY MANNER WITHOUT THE PRIOR WRITTEN CONSENT OF ON-SHORE TECHNOLOGY, INC.



|                       |                       |                           |                           |
|-----------------------|-----------------------|---------------------------|---------------------------|
| TITLE                 |                       | OSTYQ-3.5mm series right  |                           |
| PART NO.              | OSTYQXX2150           | DWG NO.                   | OSTYQXX2150.DWG           |
| APPROVED              | CHECKED               | DESIGNED                  | DRAWN                     |
| Shi Jun<br>2006.10.20 | Shi Jun<br>2006.10.20 | xionghaitao<br>2006.10.20 | xionghaitao<br>2006.10.20 |
| SHEET: 01/01          |                       | Tolerance                 |                           |
| UNIT: mm              |                       | X. ±0.50                  |                           |
| SCALE: NONE           |                       | X.X ±0.30                 |                           |
| REV: A                |                       | X.XX ±0.10                |                           |
|                       |                       | X° ±1°                    |                           |