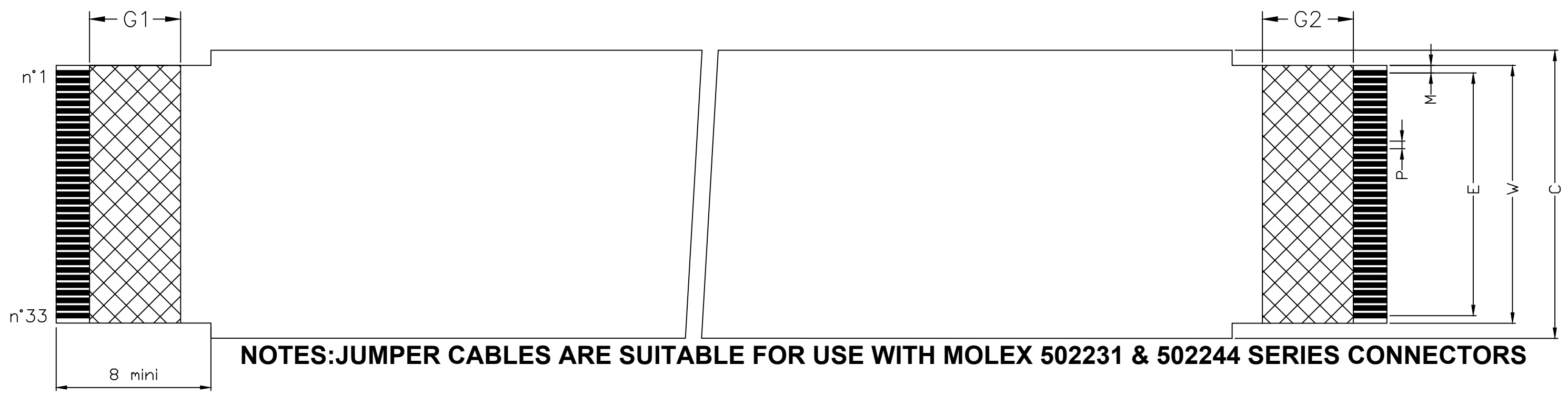


| PART NO.   | CKTS | LENGTH |
|------------|------|--------|
| 15021-0233 | 33   | 2"     |
| 15021-0433 | 33   | 4"     |
| 15021-0633 | 33   | 6"     |
| 15021-0833 | 33   | 8"     |
| 15021-1033 | 33   | 10"    |
| 15021-1233 | 33   | 12"    |
| 15021-2433 | 33   | 24"    |



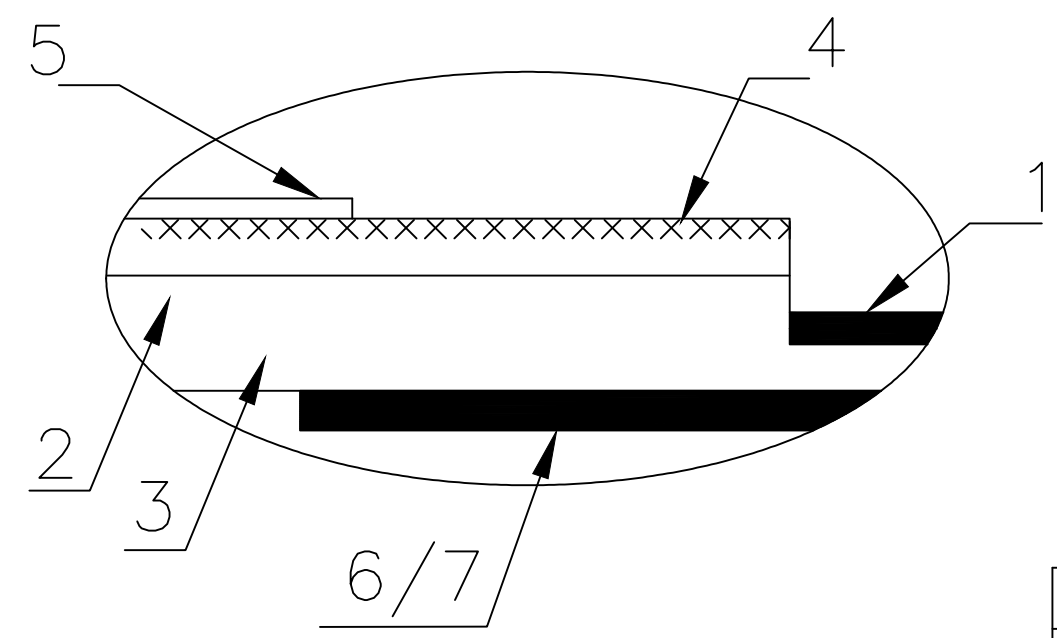
**NOTES: JUMPER CABLES ARE SUITABLE FOR USE WITH MOLEX 502231 & 502244 SERIES CONNECTORS**

**COMPOSITION**

| Item | COMPONENTS         | UNITS     | SPECIFICATIONS                                |
|------|--------------------|-----------|---|
| 1    | Conductor          | Material  | Gold plated contacts (0.3µm Ni/0.05µm Au min) |
|      |                    | Width     | mm 0.23 mm nominal                            |
|      |                    | Thickness | mm 0.055 mm nominal                           |
| 2    | Insulation tape    | Material  | Polyester+flame retardant adhesive insulation |
|      |                    | Thickness | mm 0.100 mm nominal                           |
| 3    | Insulation tape    | Material  | Polyester+flame retardant adhesive insulation |
|      |                    | Thickness | mm 0.100 mm nominal                           |
| 4    | Aluminum tape      | Material  | Polyester/Aluminium/Adhesive                  |
|      |                    | Thickness | mm 0.119 mm nominal                           |
| 5    | Insulation tape    | Material  | Polyester + FR adhesive insulation            |
|      |                    | Thickness | mm 0.043 mm nominal                           |
| 6,7  | Reinforcement Tape | Material  | Blue Polyester                                |
|      |                    | Thickness | mm 0.155 mm nominal                           |

**DIMENSIONS**

| ITEMS                    | REP.  | NOMINAL      |
|--------------------------|-------|--------------|
| Number of conductors     |       | 33(=37-4)    |
| Pitch                    | P     | 0.50 ± 0.05  |
| Span                     | E     | 16.00 ± 0.05 |
| Width                    | W     | 17.00 ± 0.07 |
| Total end Width          | C     | 19.00 ± 0.15 |
| Margin                   | M     | 0.50 ± 0.08  |
| Strip length             | S1/S2 | 2.2 ± 0.5    |
| Grounding length         | G1/G2 | 6 ± 2        |
| End thickness            | T     | 0.30 ± 0.05  |
| Reinforcement length     | F1/F2 | 7.0 ± 1.5    |
| Thickness grounding area | A     | 0.50 ± 0.05  |



**CHARACTERISTICS**

| ITEMS  | VALUE             | TEST METHOD |
|--|-------------------|-------------|
| Resistance of conductor at 20°C                | 1950 Ohm/km maxi  | -           |
| Insulation resistance (Conductor to conductor) | 10 MOhm.m mini    | 200 V DC    |
| Dielectric test (Conductor to conductor)       | 1 minute          | 200 V AC    |
| Temperature rating                             | -40°C to 80°C     | UL2896      |
| Voltage rating                                 | 30 V AC maxi      |             |
| Flame resistance                               | VW-1              | UL758       |
| Differential impedance                         | 100 Ω ± 10 Ω      | -           |
| Length L: 2"-10"                               | 5-10 Gigabits/sec | -           |
| Length L: 12"-24"                              | 2-5 Gigabits/sec  | -           |

| DIMENSIONAL TOLERANCES |       | DIMENSIONAL TOLERANCES |        |
|------------------------|-------|------------------------|--------|
| 45 mm TO 60 mm         | ±2 mm | 1.772 TO 2.400         | ±0.079 |
| 61 mm TO 100 mm        | ±3 mm | 2.401 TO 3.975         | ±0.119 |
| 101 mm TO 200 mm       | ±4 mm | 3.976 TO 7.912         | ±0.157 |
| 201 mm TO 1500 mm      | ±5 mm | 7.913 TO 59.055        | ±0.197 |

|   |                |                                       |      |                           |                 |   |                     |                           |                  |  |
|---|----------------|---------------------------------------|------|---------------------------|-----------------|---|---------------------|---------------------------|------------------|--|
| INITIAL RELEASE<br>EC NO: USW2016-0198<br>DRWN: MD 2016/02/24 | QUALITY SYMBOL | GENERAL TOLERANCES (UNLESS SPECIFIED) |      | DIMENSION STYLE INCH [MM] |                 | SCALE NONE  | DESIGN UNITS METRIC | THIRD ANGLE PROJECTION    |                  |  |
|   | ▽=0            | mm                                    | INCH | DRAWN BY MDIGGIKA         | DATE 2016/02/25 | TITLE LVDS CKTS 33  |                     |                           |                  |  |
|   | ∇=0            | 4 PLACES ±---                         | ±--- | CHECKED BY                | DATE            | Molex MOLEX INCORPORATED  |                     |                           |                  |  |
|   |                | 3 PLACES ±---                         | ±--- | APPROVED BY               | DATE            | MATERIAL NO. SEE CHART  |                     | DOCUMENT NO. SD-15021-033 | SHEET NO. 1 OF 1 |  |
|   |                | 2 PLACES ±---                         | ±--- | ANGULAR ±1°               |                 | THIS DRAWING CONTAINS INFORMATION THAT IS PROPRIETARY TO MOLEX INCORPORATED AND SHOULD NOT BE USED WITHOUT WRITTEN PERMISSION |                     |                           |                  |  |