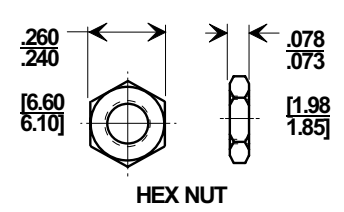
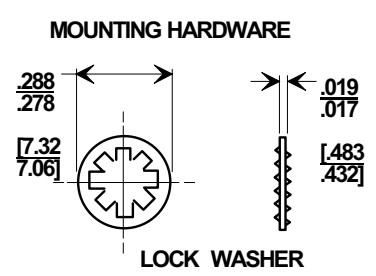
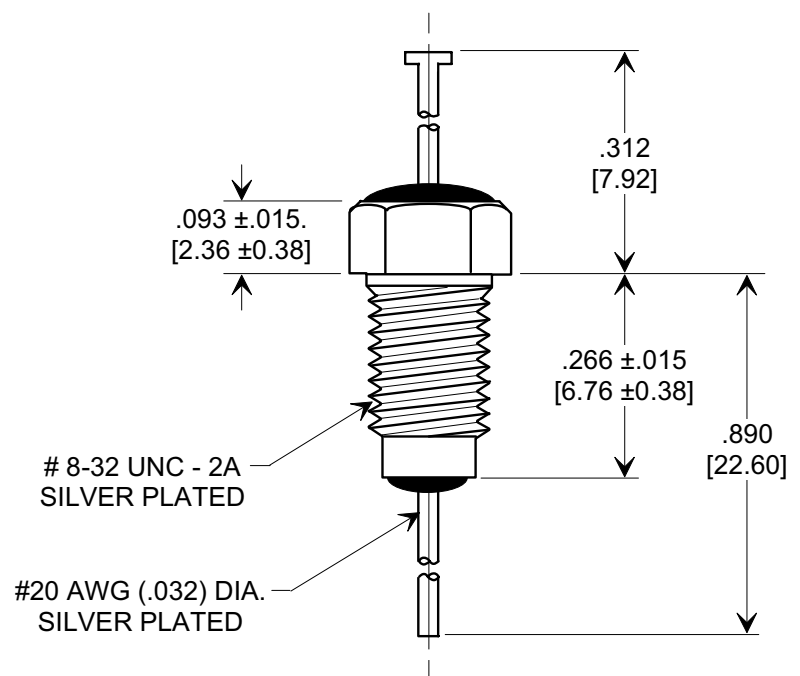
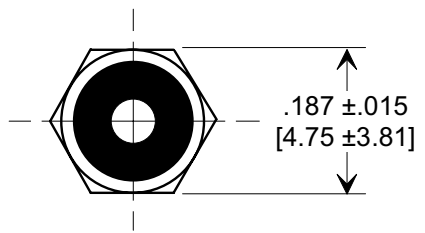
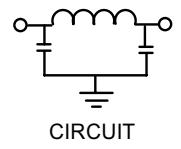
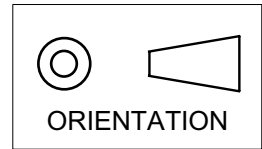


MARKETING SALES DRAWING

DIMENSIONS IN INCHES - DO NOT SCALE THIS DRAWING
DIMENSIONS IN METRIC - []

Electrical Testing
 per Tusonix standard
 test plans and Mil-Std-202
 Test Methods.



- NOTE:
 1. SUPPLIED WITH SILVER PLATED HEX NUT AND INTERNAL TOOTH LOCK WASHER.
 2. MOUNTING TORQUE NOT TO EXCEED 3 lb-in.

MIN. CAP (pF)	WORKING VOLTAGE		CURRENT	MINIMUM NO LOAD INSERTION LOSS (dB) @ 25°C PER MIL-STD-220			
	85°C	125°C		50 MHz	100 MHz	1 GHz	10 GHz
2500	200	100	10A	25	45	60	60

X-2015 Rev-0	REVISION RECORD	
	Original Release	0
	C.O. 19990713-1-02	
	NOTE 2 ADDED L.E. 09-12-01	
	1	
20010912-1-01		
SYMBOL ORIENTATION & CIRCUIT ADDED, HEX & NUT DRAWING ADDED NOTE 2		
REV'D 3 lbs-in. WAS 5 lbs-in		
L.E. 09-13-01		
	2	
20010913-4-01		

--TOLERANCES--
 Unless Otherwise Specified

DECIMAL ± .031

ANGLES ±

TUSONIX
 TUCSON, ARIZONA

Title **MIL-15733/28-0001 BUSHING STYLE EMI FILTER**

Drawn S.M. 07-15-99 Scale 4 X

Approved E.F. 07-15-99

A **4201-501**