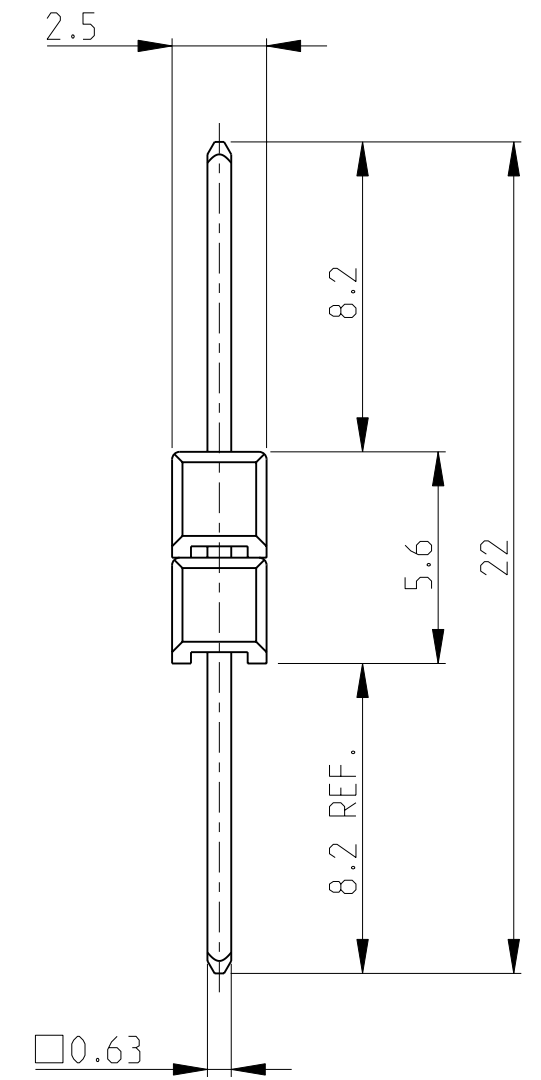
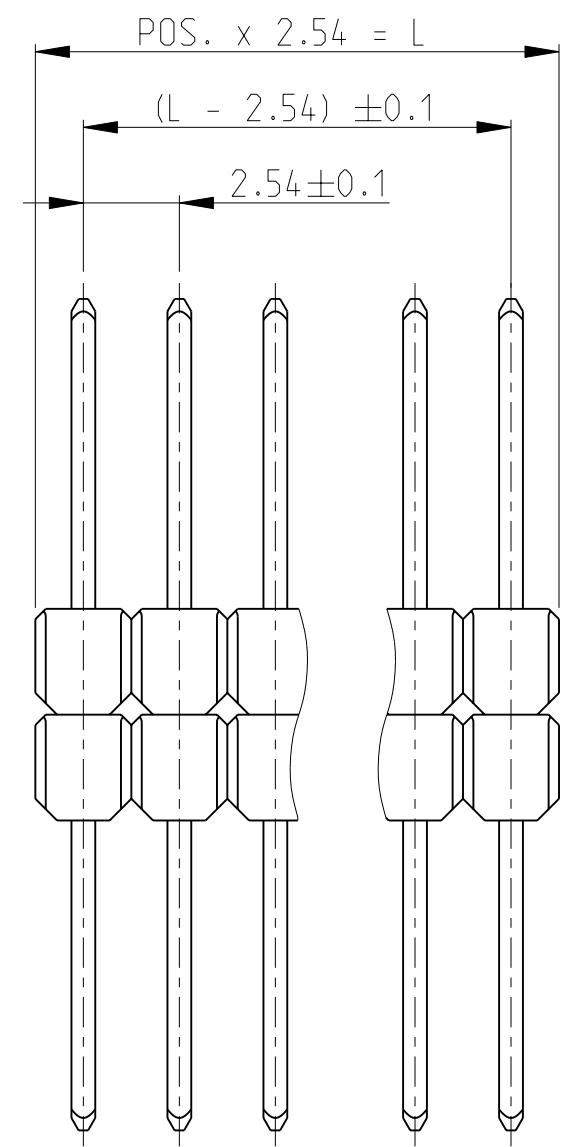


THIS DRAWING IS UNPUBLISHED
 RELEASED FOR PUBLICATION 2007
 © COPYRIGHT 2007 BY TYCO ELECTRONICS CORPORATION. ALL RIGHTS RESERVED.

LOC	DIST	REVISIONS			
P	LTR	DESCRIPTION	DATE	DWN	APVD
	0	NEUE ZEICHNUNG	28JUL1995	A.HO	-
A1		ENGLISH TEXT / PCB LAYOUT ADDED, REDRAWN	22AUG2007	ACK	RK
A2		REVISED PER ECO-09-027197	17DEC09	KK	AEG

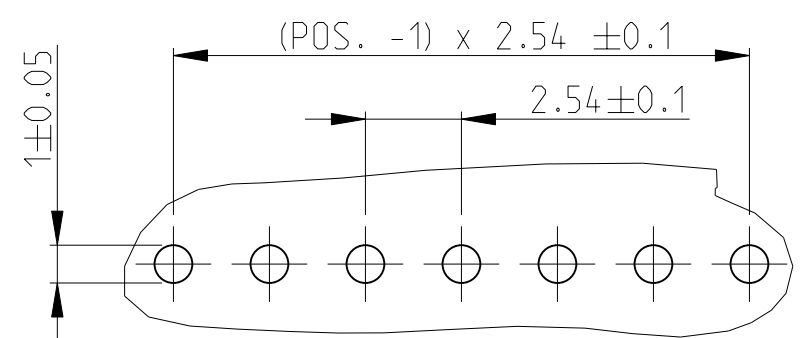
POS. PER ROW	L +0.3 -0.6	PART - NO.	POS. PER ROW	L +0.3 -0.6	PART - NO.
-	-	-	26	66.04	2- -6
2	5.08	-2	27	68.58	2- -7
3	7.62	-3	28	71.12	2- -8
4	10.16	-4	29	73.66	2- -9
5	12.70	-5	30	76.20	3- -0
6	15.24	-6	31	78.74	3- -1
7	17.78	-7	32	81.28	3- -2
8	20.32	-8	33	83.82	3- -3
9	22.86	-9	34	86.36	3- -4
10	25.40	1- -0	35	88.90	3- -5
11	27.94	1- -1	36	91.44	3- -6
12	30.48	1- -2	37	93.98	3- -7
13	33.02	1- -3	38	96.52	3- -8
14	35.56	1- -4	39	99.06	3- -9
15	38.10	1- -5	40	101.60	4- -0
16	40.64	1- -6	41	104.14	4- -1
17	43.18	1- -7	42	106.68	4- -2
18	45.72	1- 966 771-8	43	109.22	4- -3
19	48.26	1- -9	44	111.76	4- -4
20	50.80	2- -0	45	114.30	4- -5
21	53.34	2- -1	46	116.84	4- -6
22	55.88	2- -2	47	119.38	4- -7
23	58.42	2- -3	48	121.92	4- -8
24	60.96	2- -4	49	124.46	4- -9
25	63.50	2- -5	50	127.00	5- 966 771-0

OBSELETE ²



- ¹ 0.8 µm GOLD OVER 1.27 µm NICKEL TIP OF THE PINS PARTIALLY UNPLATED
 0.8 µm GOLD ÜBER 1.27 µm NICKEL STIFTSPITZEN TEILWEISE BLANK
- ² OBSELETE PARTS: OBSELETE CIS STREAMLINING PER D.RENAUD/D.SINISI

PC BOARD LAYOUT
 LEITERPLATTENANSCHLUSSBILD



¹	Cu Sn	CONTACT PIN KONTAKTSTIFT
COLOUR GREEN	PBT GV	PINHOUSING STIFTGEHAEUSE
REMARK	MATERIAL	DESCRIPTION BEZEICHNUNG

<small>THIS DRAWING IS A CONTROLLED DOCUMENT FOR TYCO ELECTRONICS CORPORATION IT IS SUBJECT TO CHANGE AND THE CONTROLLING ENGINEERING ORGANIZATION SHOULD BE CONTACTED FOR THE LATEST REVISION.</small>		DWN 28JUL1995 A.HO CHK 28JUL1995 M.SCHAARSCHMIDT APVD - PRODUCT SPEC 108-18012 APPLICATION SPEC - WEIGHT - CUSTOMER DRAWING	tyco Electronics Corporation AMP GmbH D - 67346 Speyer NAME AMPMODU II PINHEADER SINGLE ROW STIFTELEISTE EINREIHIG SIZE A3 CAGE CODE 00779 DRAWING NO. ©=966771 RESTRICTED TO - SCALE 5:1 SHEET 1 OF 1 REV A2
DIMENSIONS: mm 	TOLERANCES UNLESS OTHERWISE SPECIFIED: 0 PLC ±0.2 1 PLC ±0.2 2 PLC ±0.2 3 PLC ± 4 PLC ± ANGLES ±2° MATERIAL - FINISH -		