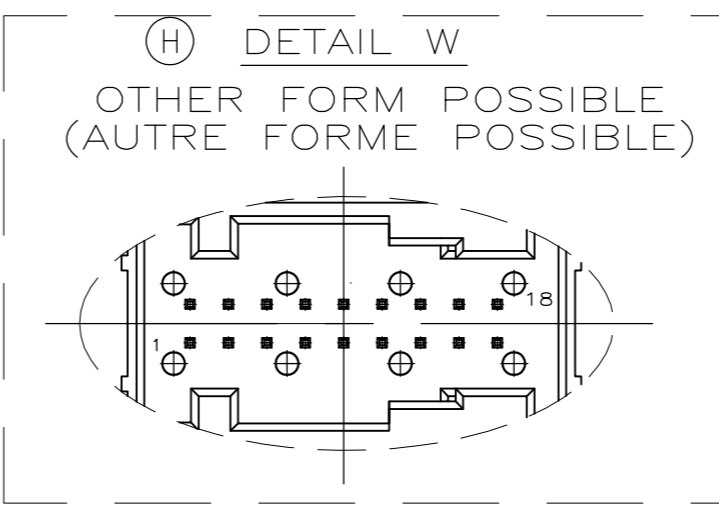
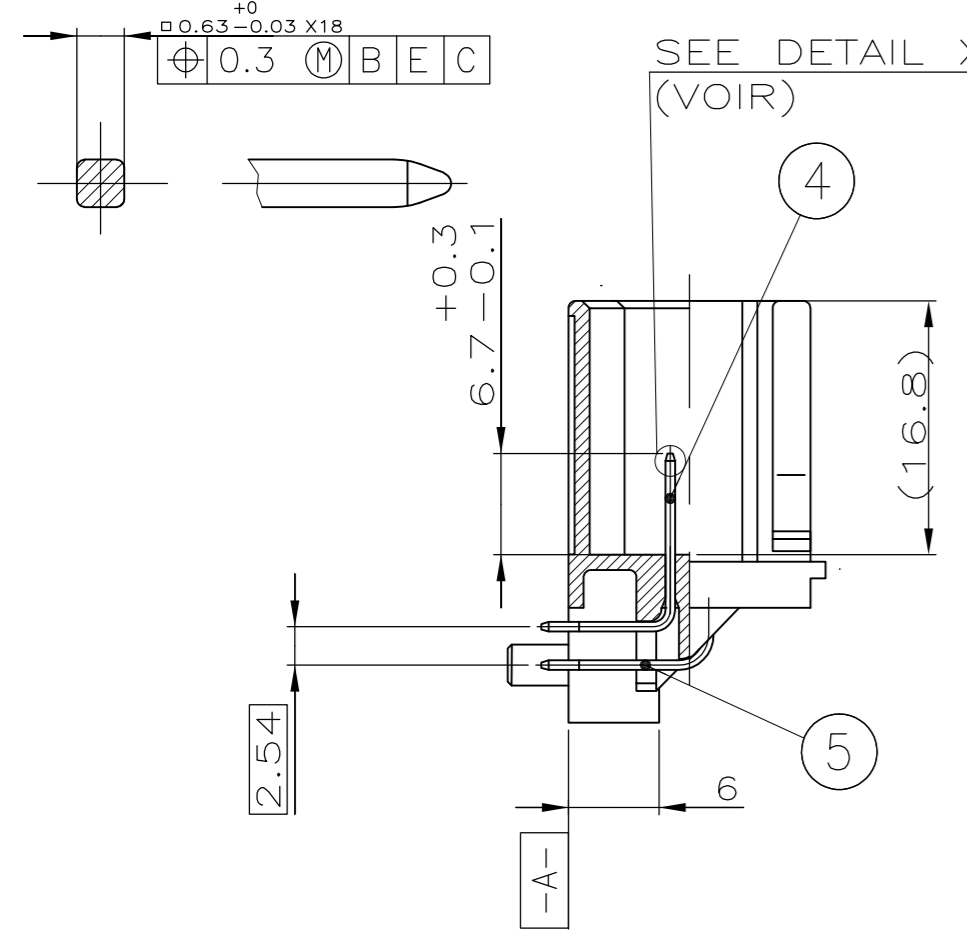


THIS DRAWING IS UNPUBLISHED.
 DIFFUSION RESTREINTE AMP
 © COPYRIGHT - By -
 ALL RIGHTS RESERVED.
 TOUS DROITS RESERVES.

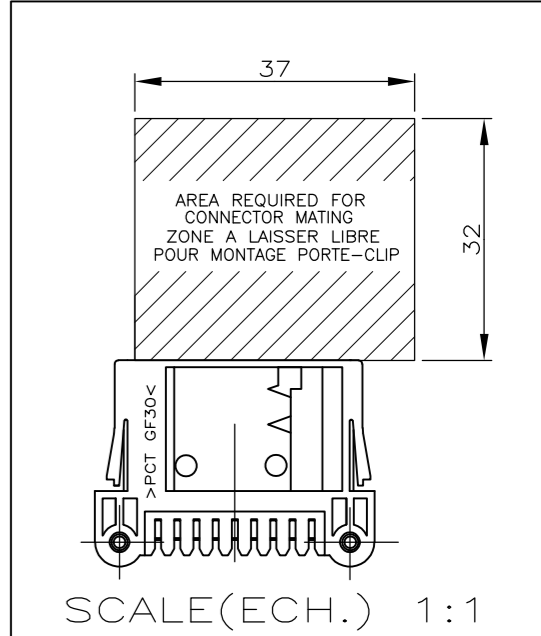
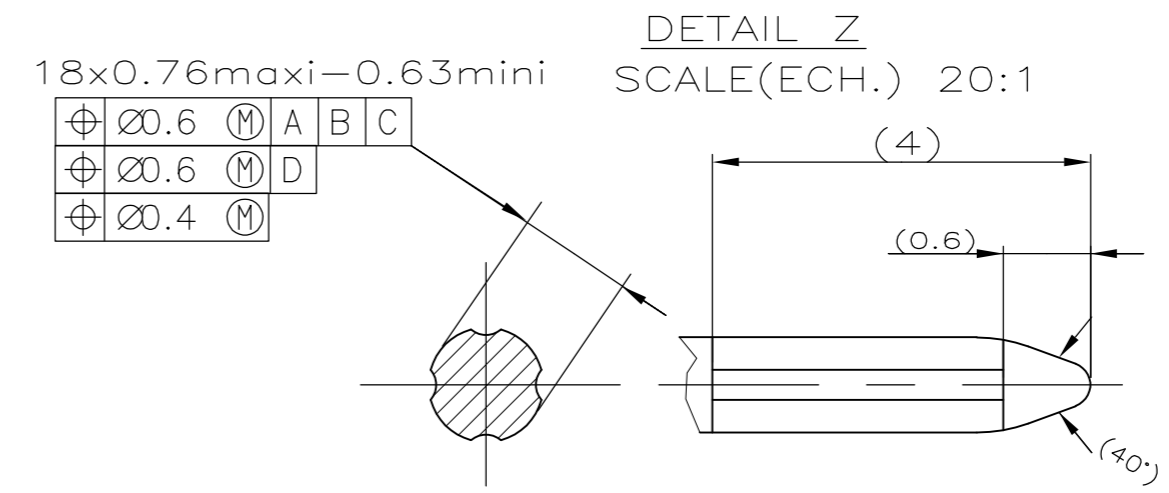
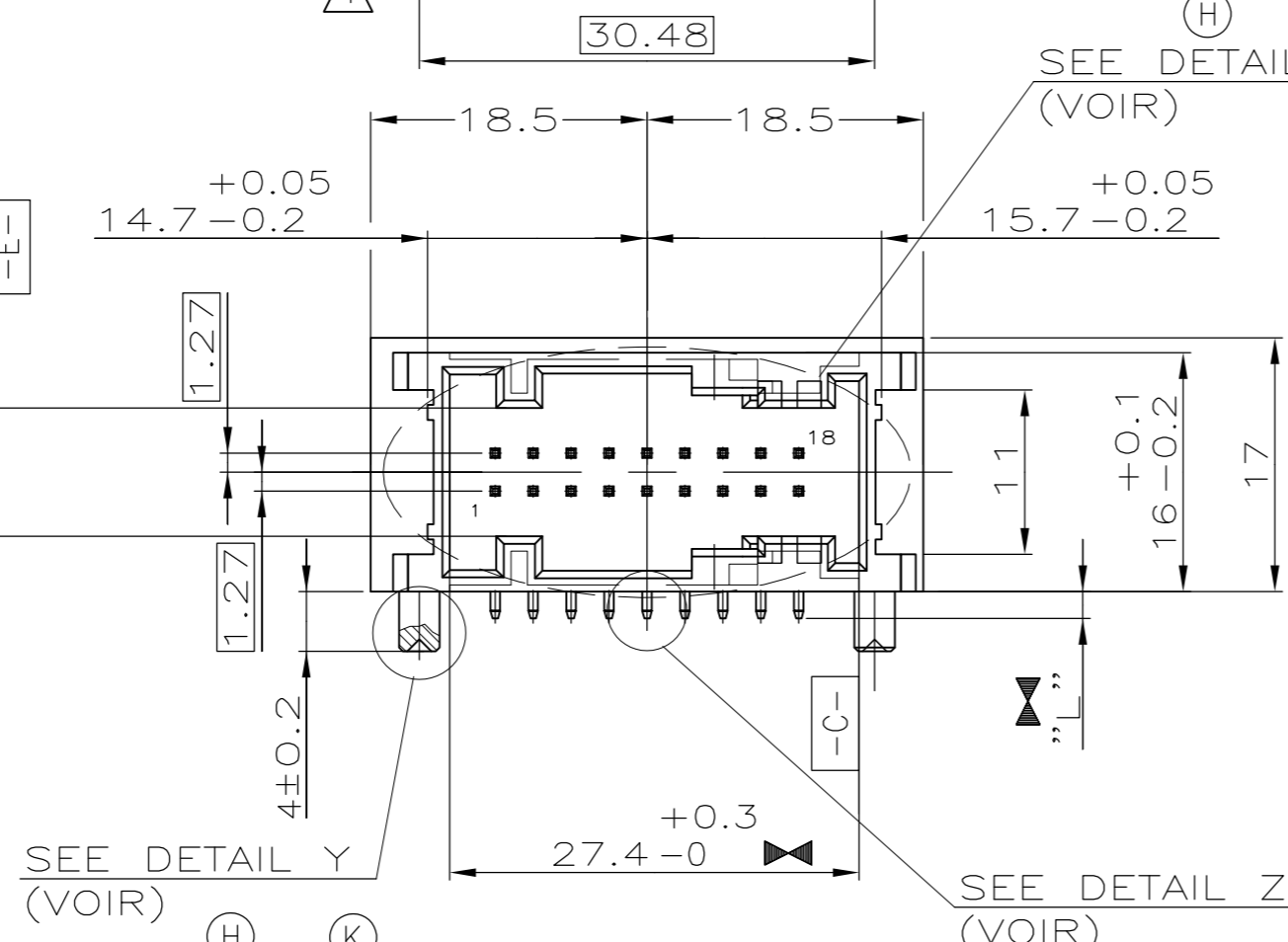
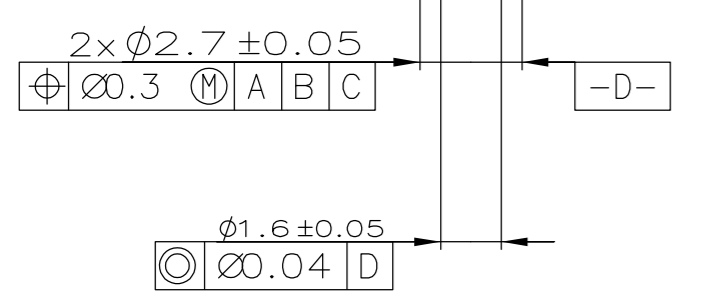
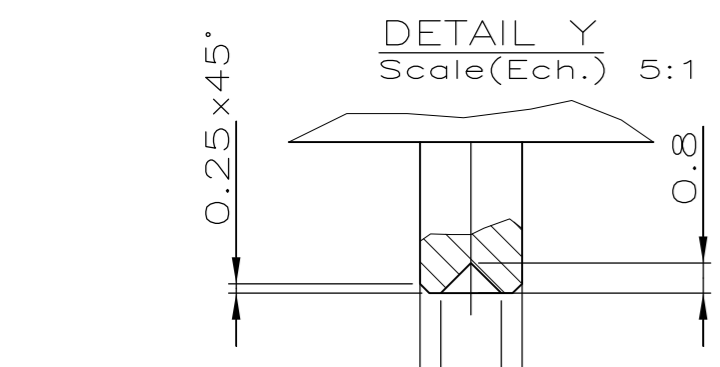
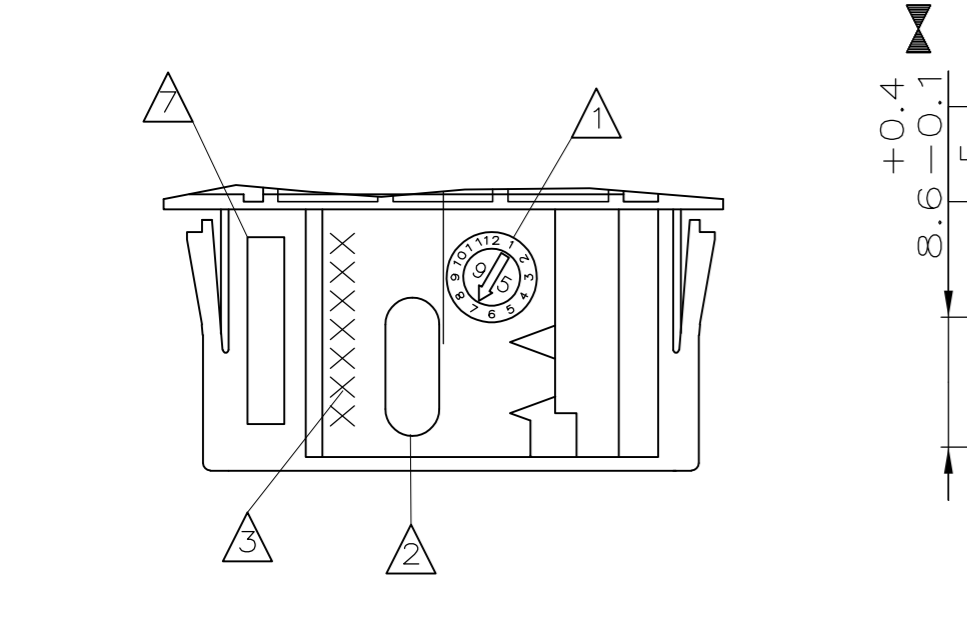
LOC		DIST		REVISIONS			
P	LTR REV	DESCRIPTION MODIFICATIONS	DATE	DWN DESS	APVD APP		
H		UP DATE THE DWG & ADD NEW P/N 1379731-3	11MAY2011	NT.N	J.L		
J		DIMENSION "L" = 1.8 +/-0.3 WAS 1.8 +/-0.2	20DEC2011	NT.N	J.L		
K		ADDED NEW P/N 6-1379731-3	11FEB2015	NT.N	J.L		

DETAIL X
 SCALE(ECH.) 10:1



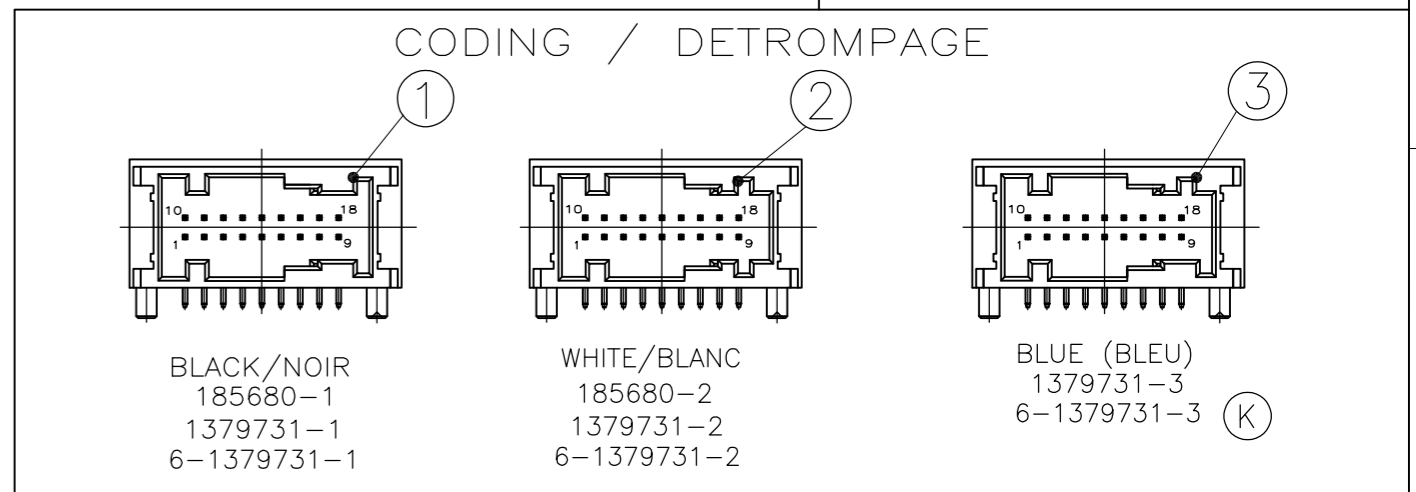
NOTES:

- 1 PRODUCTION DATE OF PLASTIC PART
DATE PRODUCTION DU BOITIER PLASTIQUE
- 2 TE LOGO
LOGO DE TE
- 3 ASSEMBLY PART NUMBER
REFERENCE DU PRODUIT ASSEMBLE
- 4 MOLD STATUS REVISION
INDICE REVISION DU MOULE
- 5 MOLD CAVITY IDENTIFICATION NUMBER
NUMERO D'EMPREINTE DU MOULE
- 6 PLASTIC MATERIAL IDENTIFICATION
IDENTIFICATION DE LA MATIERE PLASTIQUE
- 7 ASSEMBLY DATE MARKING
MARQUAGE DE DATE D'ASSEMBLAGE
- 8 CAPABILITY DIMENSION FOR THE TOOLINGS QUALIFICATION ONLY
COTE DE CAPABILITE UNIQUEMENT POUR LA QUALIFICATION D'OUTILLAGES
- 8 ONLY COMPATIBLE WITH THE CONNECTORS UNDER P/Ns : 185307-X ; 185315-X
COMPATIBLE UNIQUEMENT AVEC LES CONNECTEURS SOUS REF. : 185307-X ; 185315-X



ASSY P/N REF. ASSEMBLEE	X	X	X	X	X	(H)	(K)	PACKAGING IN TRAY THERMO. CONDITIONNEMENT EN PLATEAU THERMO.
185680-1								
185680-2								
1379731-1								
1379731-2								
1379731-3								
6-1379731-1						X	X	PACKAGING IN STICK CONDITIONNEMENT EN TUBE
6-1379731-2						X	X	
6-1379731-3						X	X	

ASSY P/N REF. ASSEMBLEE	QTY/QTE	P/N TO BE MARKED REF. A MARQUER	"L"	MATERIAL MATIERE	DESIGNATION	COLOR/FINISH COULEUR/FINITION	REP.
185680-1				CuSn6	LONG PIN MQS CONTACT LONG MQS		(5)
185680-2				CuSn6	SHORT PIN MQS CONTACT COURT MQS	POST TIN PLATED POST-ETAME	(4)
1379731-1				CuSn6	LONG PIN MQS CONTACT LONG MQS		(5)
1379731-2				CuSn6	SHORT PIN MQS CONTACT COURT MQS		(4)
1379731-3				CuSn6	LONG PIN MQS CONTACT LONG MQS	BLUE BLEU	(3)
6-1379731-1				PCT GF30	HOUSING CODING 3 EMBASE CODAGE 3	WHITE BLANC	(2)
6-1379731-2				PCT GF30	HOUSING CODING 2 EMBASE CODAGE 2	BLACK NOIR	(1)
6-1379731-3				PCT GF30	HOUSING CODING 1 EMBASE CODAGE 1	WHITE BLANC	(2)
				PCT GF30	HOUSING CODING 2 EMBASE CODAGE 2	BLACK NOIR	(1)
				PCT GF30	HOUSING CODING 1 EMBASE CODAGE 1	WHITE BLANC	(2)
				PCT GF30	HOUSING CODING 2 EMBASE CODAGE 2	BLACK NOIR	(1)
				PCT GF30	HOUSING CODING 1 EMBASE CODAGE 1	WHITE BLANC	(2)



THIS DRAWING IS A CONTROLLED DOCUMENT. CE SCHÉMA EST UN DOCUMENT CONTROLÉ		DWN/DESSINE Sladjan IVANOVIC 03-MAY-96	TE Connectivity	
DIMENSIONS: mm		CHK/VERIFIE J.LAQUERBE 26-JUN-97	NAME/TITRE	
TOLERANCES UNLESS OTHERWISE SPECIFIED: (SUIV NB DE DECIMALES): DIMENSIONS: ± 0.3 ANGLES: ± 5°		APVD/APPROUVE JJ.REVIL 26-JUN-97	PRODUCT SPEC. PRODUIT 108-15151	
MATERIAL MATIERE		FINISH FINITION	SIZE FORMAT A2	CAGE CODE 00779
WEIGHT MASSE APPROX.		DRAWING NO No PLAN C=185680	RESTRICTED TO	
CUSTOMER DRAWING/PLAN CLIENT		UNIQUEMENT POUR REFERENCE	SCALE ECHELLE: 2:1	SHEET FEUILLE 1 DE 1