



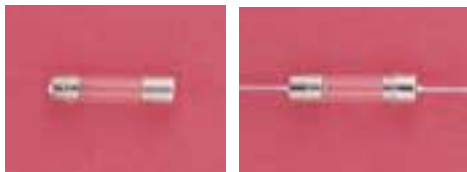
defining a degree of excellence

Type 5MF / 5MFP

Fast Blow Fuse Series

5 x 20mm Glass Tube

5MFD0903



Electrical Characteristics (UL/CSA STD. 248-14)

Testing current	Blow Time	
	Minimum	Maximum
100%	4 Hrs.	N/A
135%	N/A	1 Hr
200%	N/A	5 Sec

Approvals



Safety Agency Approvals	Type	Amp range / volt @ I.R. ability
Listed File No. E20624 Certified File No. LR39772	5MF / 5MFP	80mA - 3A / 250V AC@ 200A 80mA - 8A / 125V AC@ 10,000A
File No. JET1037-31003-1001, JET1037-31003-1003 File No. JET1037-31003-1002	5MF / 5MFP 5MF	1A - 5A / 125V AC@ 500A >5A - 15A / 125V AC@ 300A

Operating Temperature

-55°C to +125°C

Physical Specification

Materials

Glass body / Nickel Plated Brass Caps

Lead wire:

Tin-lead plated Copper,

Diameter 0.032", 5A and less

Diameter 0.040", 6A and above

Marking

On fuse:

"bel", "5MF", "Current Rating", "Voltage Rating", and "Appropriate Safety Logos"

On label:

Above info plus "CE" and interrupting rating

Voltage on fuse:

250V for 80mA to 3A; 125V for rating above 3A

Packaging

1. In bulk:

5MF - 1,000 pcs per box; 5MFP - 500 pcs per box

2. On Axial Tape & Reel:

1,500 pcs per reel

3. Tape & Reel specification:

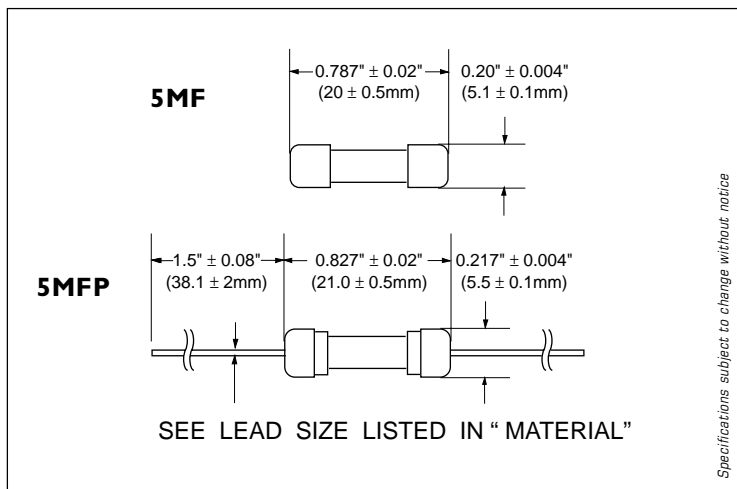
per EIA-296-E & IEC 286-1

@ 10mm Pitch and 63.5mm inside Tape Spacing

Catalog Number	Ampere Rating	Typical Cold Resistance (ohm)	Volt-drop @100% I _n (Volt) max.	Melting I ² T < 10 mSec (A ² Sec)	Melting I ² T @10 I _n (A ² Sec)	Maximum Power Dissipation (W)
5MF (P) 80	80mA	10.2	3.05	0.0004	0.0004	0.32
5MF (P) 100	100mA	7.2	2.65	0.0009	0.0008	0.35
5MF (P) 125	125mA	6.8	3.64	0.0017	0.0015	0.60
5MF (P) 200	200mA	3.4	2.76	0.007	0.006	0.72
5MF (P) 250	250mA	2.4	2.40	0.014	0.013	0.79
5MF (P) 300	300mA	1.7	2.09	0.028	0.027	0.84
5MF (P) 500	500mA	0.84	1.58	0.116	0.113	1.04
5MF (P) 700	700mA	0.18	0.22	0.390	0.370	0.20
5MF (P) 1	1A	0.12	0.20	0.88	0.85	0.26
5MF (P) 1.25	1.25A	0.09	0.19	1.50	1.48	0.31
5MF (P) 1.5	1.5A	0.07	0.18	2.58	2.58	0.36
5MF (P) 2	2A	0.05	0.17	4.4	4.5	0.44
5MF (P) 2.5	2.5A	0.04	0.16	7.6	7.8	0.52
5MF (P) 3	3A	0.03	0.15	13	14	0.59
5MF (P) 3.5	3.5A	0.026	0.14	17	18	0.66
5MF (P) 4	4A	0.022	0.14	22	24	0.73
5MF (P) 5	5A	0.017	0.13	38	41	0.86
5MF (P) 6	6A	0.013	0.12	66	72	0.98
5MF (P) 7	7A	0.011	0.12	86	95	1.10
5MF (P) 8	8A	0.010	0.12	113	126	1.22

Consult manufacturer for other ratings

Mechanical Dimensions



Specifications subject to change without notice

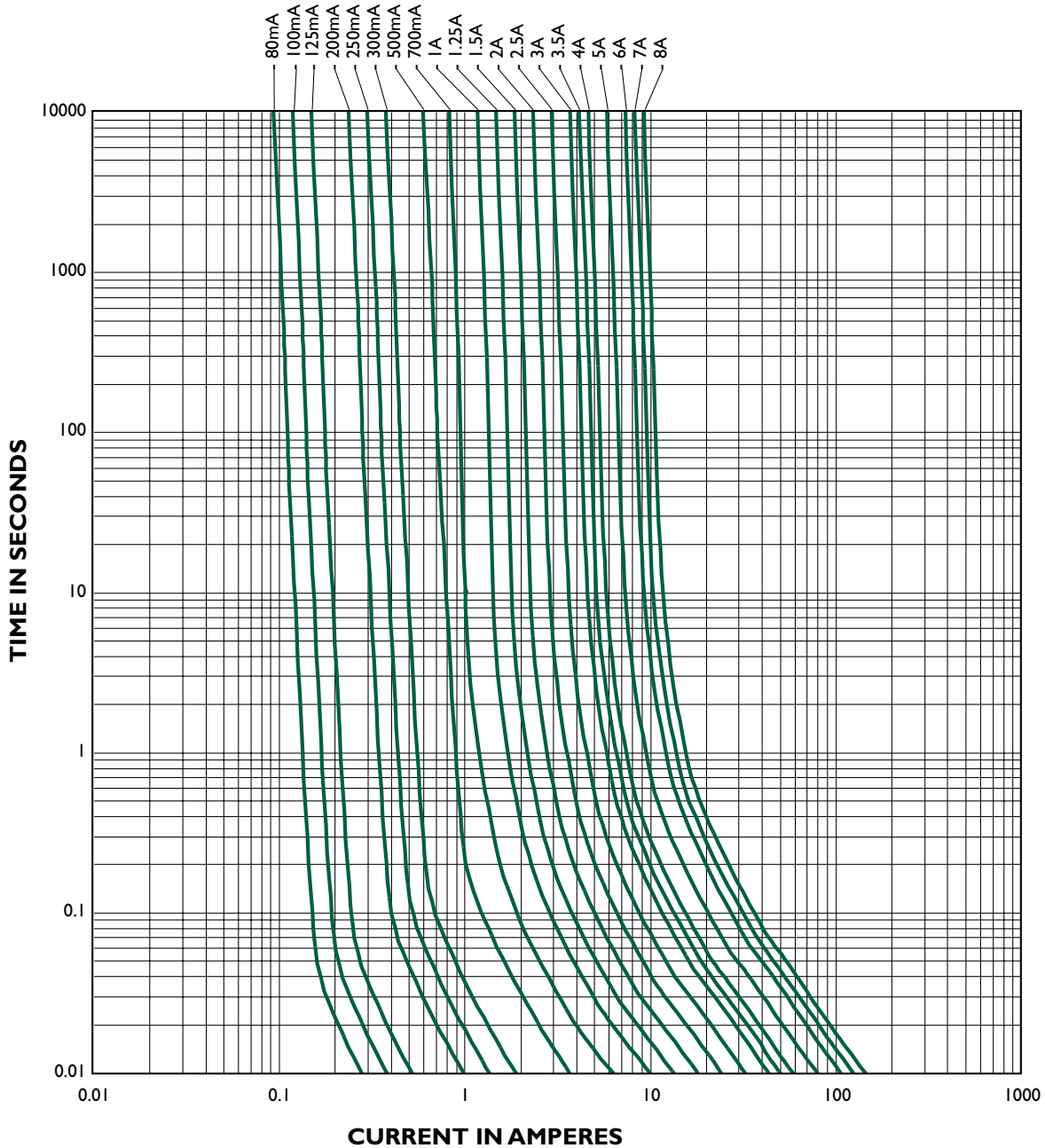
ORDERING INFORMATION SEE PAGES 67 & 68

Type 5MF / 5MFP
Fast Blow Fuse Series

5 x 20mm Glass Tube

5MFC0801

5MF / 5MFP - TIME CURRENT CHARACTERISTIC CURVE



Specifications subject to change without notice

NOTE - see important information under "User Guide" on P.08

Corporate Office

Bel Fuse Inc.
206 Van Vorst Street, Jersey City, NJ 07302
Tel: 201-432-0463
Fax: 201-432-9542
E-Mail: belfuse@belfuse.com
Website: www.belfuse.com

Far East Office

Bel Fuse Ltd.
8F/8 Luk Hop Street
San Po Kong
Kowloon, Hong Kong
Tel: 852-2328-5515
Fax: 852-2352-3706

European Office

Bel Fuse Europe Ltd.
Preston Technology Management Centre
Marsh Lane, Preston PR1 8UD
Lancashire, U.K
Tel: 44-1772-556601
Fax: 44-1772-888366