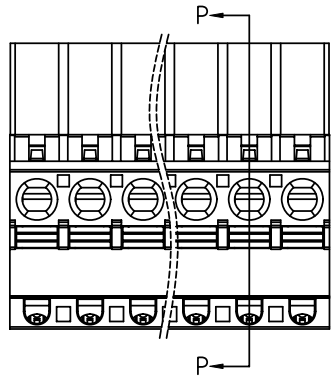


PRODUCT NUMBER	PITCH
H4xx70xB00J0G	5.00 mm



Dimension

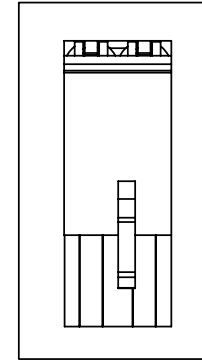
DIM A	N×5.0+0.10
DIM B	(N-1)×5.0

N=Number of poles

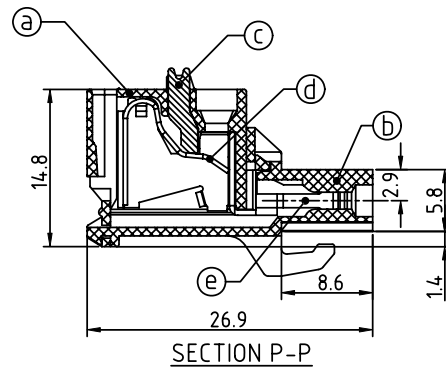
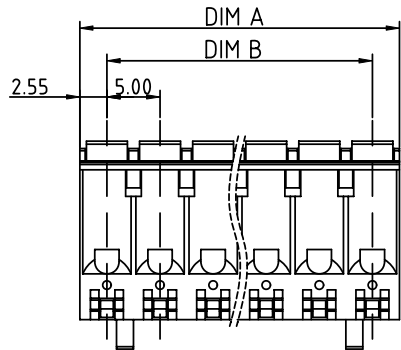
POLES	Tolerance
2p-6p	±0.15
7p-12p	±0.25
13p-16p	±0.35
17p-24p	±0.40

PART NO.: H4 xx 7 0 x B 00J0 G

Solid block	0	Black (RAL9005)	RoHS compliant (lead<4%) In copper Alloy
No. of poles	2	Red (RAL3001/D)	
02 2 poles	3	Orange(RAL2011/P)	
03 3 poles	4	Yellow(RAL1018/A)	
...	...	5 Green(RAL6018/T)	
24 24 poles	6	Blue (RAL5015/A)	
	8	Grey(RAL7035/D)	
	9	White(RAL1102)	
	C	Green(RAL6018/U)	



2P



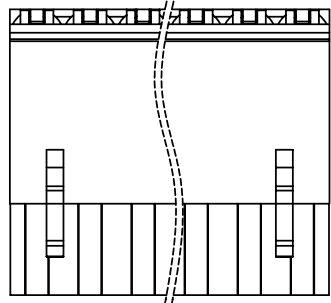
SECTION P-P

Material:

- Item(a) Top body:Thermoplastic ( UL94V-0 )
- Item(b) Bottom body:Thermoplastic ( UL94V-0 )
- Item(c) Terminal lever:Thermoplastic ( UL94V-0 ) Orange (RAL2001/P)
- Item(d) Spring Clamp:Stainless Steel
- Item(e) Female contact:PhBz ( CuSn ) Tin plated

Electrical cULus

- Voltage rating:300V
- Current rating:10A
- Solid wire(AWG):12-26
- Stranded wire(AWG):12-26
- Wire strip length:9-10mm
- Withstanding Voltage:1.6KV
- Operating temperature:-40°C to +115°C
- Safety Approval:



mat'l. code		surface ASME Y14.5	tolerance ASME Y14.5	projection 	product family TERMINAL BLOCK
ltr	ecn no	dr	date	 scale	title TERMINAL BLOCK SPRING CLAMP, PLUGGABLE PLUG HOOK ON BACK SIDE
tolerances unless otherwise specified					
angles $X \pm 1^\circ$					
		dr	EVIN ZHONG	051614	dwg no H4xx70xB00J0G type CUSTOMER Drawing
		enr	EVIN ZHONG	051614	
		chr	HANKE FENG	051614	
		appd	SHI JUN	051614	
sheet index	revision sheet	A	1		sheet 1 of 1 size A4