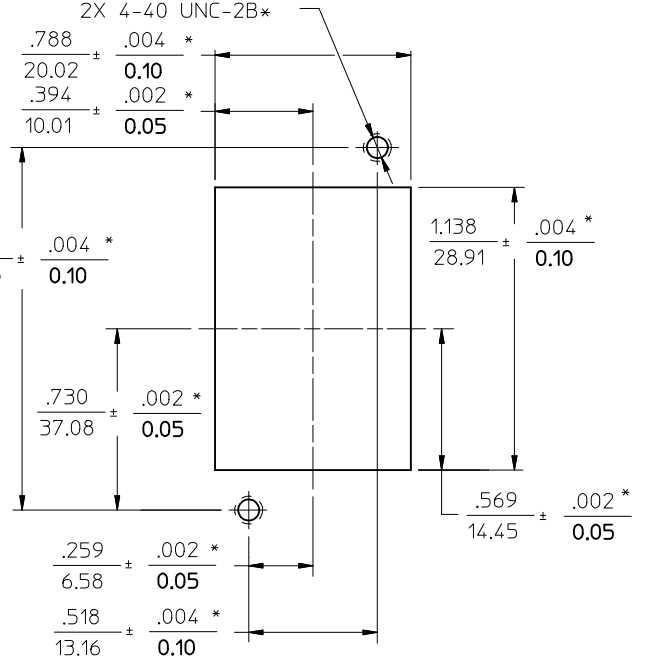
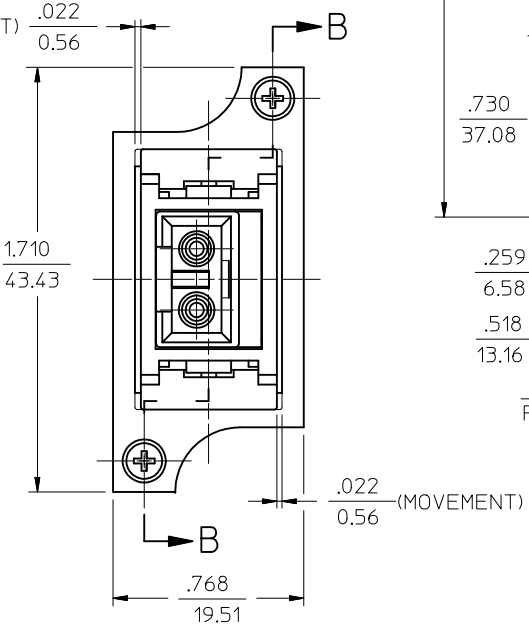
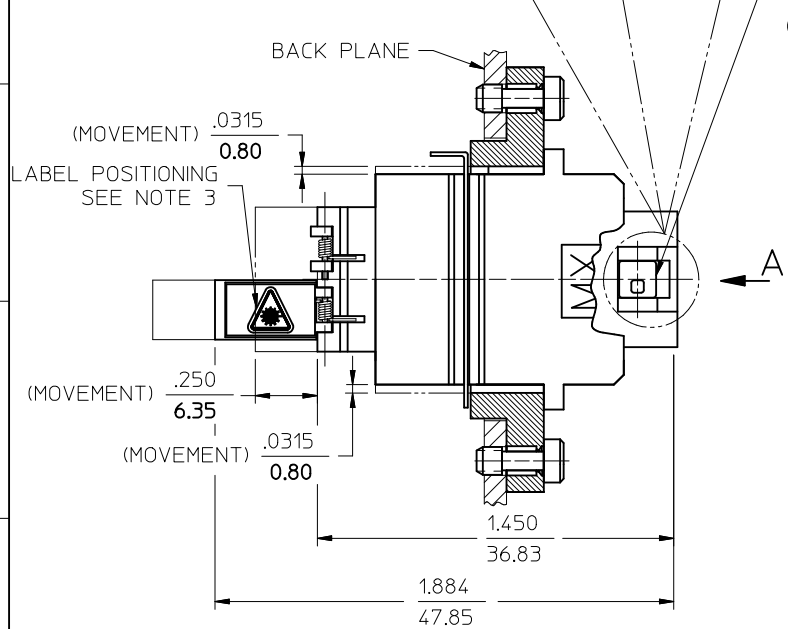
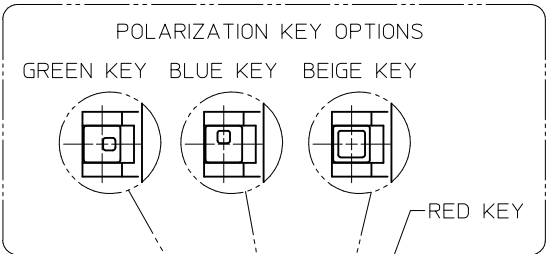


10	9	8	7	6	5	4	3	2
BLC ADAPTER P/N	SPLIT SLEEVE MATERIAL	COLOR						
106145-0100	Ph. Bronze	BLACK						
106145-1100	Zr	GREEN						
106145-1500								



VIEW A
RECOMMENDED MOUNTING HOLES

- NOTES:
- ALL DIM. ARE FOR REFERENCE ONLY, EXCEPT WHEN MARKED WITH (*).
 - POLARIZATION KEYS AND LABELS ARE PACKED UNASSEMBLED WITH ADAPTER ASSEMBLY IN POLY BAG.
 - ADHESIVE LABELS TO BE POSITIONED ON LC DOORS BY USER. THE ORIENTATION OF THE LABELS SHOULD BE SUCH THAT THE LASER WARNING SYMBOL IS EASILY IDENTIFIED.

ENTER DESCRIPTION EC NO: MF2011-0528 DRW: MKEVZNER 2011/06/02 CHKD: LGUMIN 2011/06/03 APPR: LGUMIN 2011/06/03	QUALITY SYMBOLS ▽=0 ∇=0	GENERAL TOLERANCES (UNLESS SPECIFIED)		DIMENSION STYLE IN/MM		SCALE 2:1	DESIGN UNITS INCH	THIRD ANGLE PROJECTION		
		4 PLACES ± --- ± --- 3 PLACES ± --- ± --- 2 PLACES ± --- ± --- 1 PLACE ± --- ± ---	mm INCH ± --- ± --- ± --- ± --- ± --- ± ---	DRAWN BY PGIBLIN	DATE 2005/10/21	TITLE BLC ADAPTER ASSEMBLY (2 POSITION)		MOLEX INCORPORATED		
		ANGULAR ±1/2°		CHECKED BY	DATE	APPROVED BY				
		DRAFT WHERE APPLICABLE MUST REMAIN WITHIN DIMENSIONS		MATERIAL NO. SEE TABLE	DOCUMENT NO. SD-106145-XX00	SHEET NO. 1 OF 1				