

NOTES:

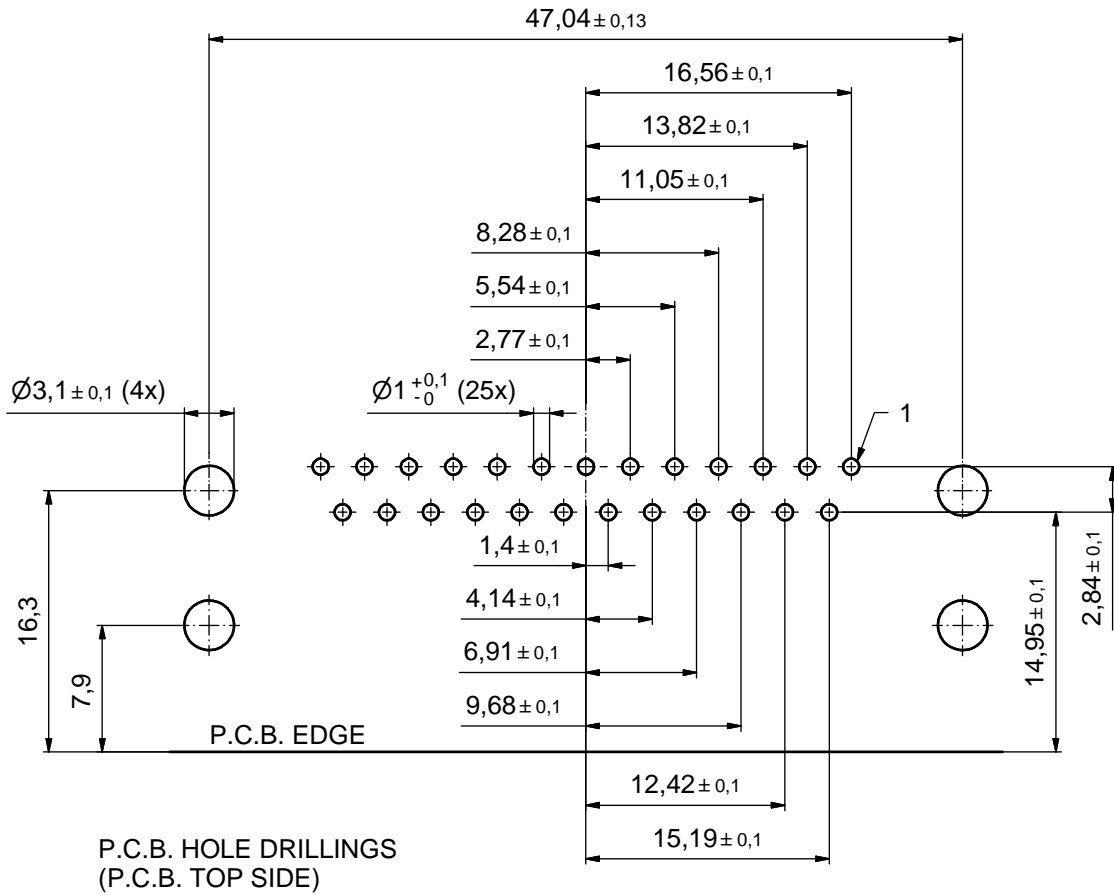
1. METALSHELLS: STEEL; min. 315µin TIN over 40-80µin NICKEL
2. INSULATORS: PBT GF UL 94 V-0; BLACK
3. CONTACTS: COPPER ALLOY
PLATING: GOLD FLASH over NICKEL
4. PLASTIC BRACKETS: PBT GF UL 94 V-0; BLACK
5. THREADED LOCKS: COPPER ALLOY; min. 200µin TIN over 80µin NICKEL
6. FIXING-PLATE: PBT GF UL 94 V-0; BLACK
7. MAXIMUM TORQUE VALUE FOR THREAD: 6 in.LB
8. CONNECTOR IS PART MARKED: **164A19579X CONEC ABC**

Directive 2002/95/EC RoHS compliant

THIS DRAWING MAY NOT BE COPIED OR REPRODUCED IN ANY WAY, AND MAY NOT BE PASSED ON TO A THIRD PARTY WITHOUT WRITTEN PERMISSION. OWNERSHIP AND COPYRIGHT OF CONEC GmbH

DO NOT ALTER CAD DRAWING BY HAND

tolerance			scale: 2:1 (5:1)		
dim. in mm			material: see notes		
drawn	01.12.10	Schmidt	title: D-SUB FEMALE 90° 25pos. SOLDER PIN ANGLED 0.590inch threaded lock, plastic bracket, fixing plate		
appd.	01.12.10	Fischer			
norm					
d-old					
a	Origin			dwg no: 16K1A2729	DIN-A3
rev.	description			date	name
part no: 164A19579X					



THIS DRAWING MAY NOT BE COPIED OR REPRODUCED IN ANY WAY, AND MAY NOT BE PASSED ON TO A THIRD PARTY WITHOUT WRITTEN PERMISSION. OWNERSHIP AND COPYRIGHT OF CONEC GmbH DO NOT ALTER CAD DRAWING BY HAND				tolerance		scale: 3:1	
				date	name	material: see sheet 1	
				drawn	01.12.10	Schmidt	title: P.C.B. HOLE DRILLINGS 25pos. SOLDER PIN ANGLED 0.590inch threaded lock, plastic bracket, fixing plate
				appd.	01.12.10	Fischer	
				norm			
			d-old			dwg no:	
	a	Origin	CONEC [®]			16K1A2729	DIN-A3
rev.	description	date				name	part no: see sheet 1