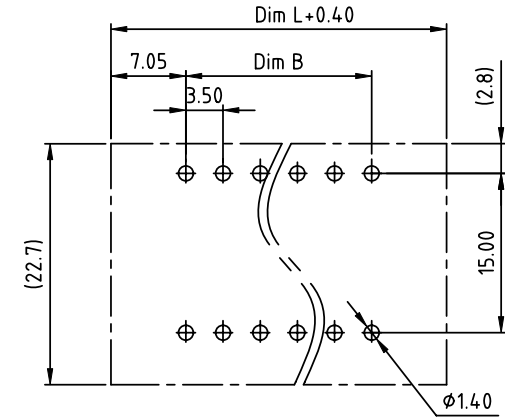
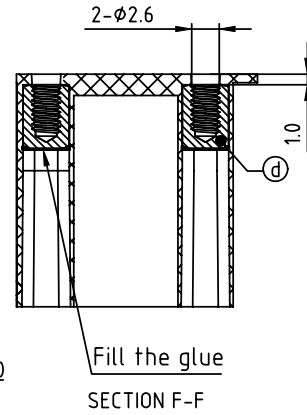
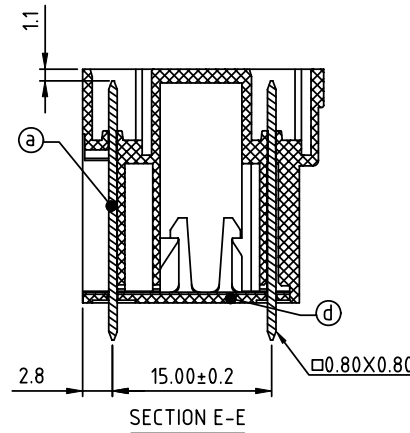
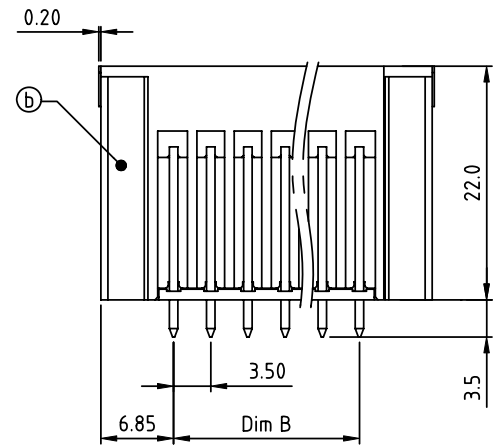
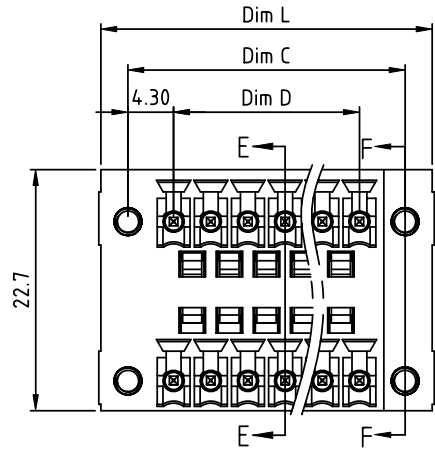


PRODUCT NUMBER	PITCH
VLxx14x000JOG	3.50 mm



RECOMMENDED P.C.B LAYOUT
TOP VIEW

Material:

- Item Ⓐ Pin: Copper Tin plated
 - Item Ⓓ Terminal(housing): Thermoplastic (UL94V-0)
 - Item Ⓒ With flange nut : Brass (CuZn)
 - Item Ⓔ Terminal(cover): Thermoplastic (UL94V-0)
- Electrical cULus
- Voltage rating: 300VAC
 - Current rating: 8A
 - Wire range:
 - Solid wire(AWG):
 - Stranded wire(AWG):
 - Withstanding Voltage: 1.6KV
 - Operating temperature: -40°C to +115°C
 - Soldering temperature: 260°C±5°C/5 Sec
 - Safety Approval:

N=Number of poles
 Dim L=(N/2-1)×3.5+13.7
 Dim B=(N/2-1)×3.5
 Dim C=(N/2-1)×3.5+8.6
 Dim D=(N/2-1)×3.5

Poles	Tolerance
2×2-2×6p	±0.15
2×7-2×13p	±0.20
2×14-2×18p	±0.25
2×19-2×24p	±0.30

PART NO.: VL xx 1 4 x 0 00JOG

	Solid block	No. of poles	Color	RoHS compliant
	0	2	Black (RAL9005)	In copper Alloy
	04	2x2poles	Red (RAL3001/D)	
	06	2x3poles	Orange(RAL2011/P)	
	Yellow(RAL1018/A)	
	48	2x24poles	Green(RAL6018/T)	
			Blue (RAL5015/A)	
			Grey(RAL7035/D)	
			White(RAL1102)	
			Green(RAL6018/U)	

mat'l. code		surface ASME Y14.5	tolerance ASME Y14.5	projection 	product family TERMINAL BLOCK
ltr	ecn no	dr	date		title TERMINAL BLOCK
				angles 	scale PLUGGABLE SOCKET, WITH FLANGE, VERTICAL, B TYPE
				dr	dwg no sheet 1 of 1 size
				enr	VLxx14x000JOG
				chr	A4
				appd	type CUSTOMER Drawing
sheet index	revision sheet	A	1		