

F2600 RFI Filters



Features:

- General Purpose “L-Type” Circuit Effective in Reducing Both Incoming and Outgoing Powerline Noise Levels in FCC “A” Applications
- Integral 5 X 20mm Single or Dual Fused IEC Connector
- Optional SST Switched IEC Connector
- All Series Available in Labor-Saving PC Mounted Case Style

Specifications:

Rated Voltage: 250VAC Maximum - 50/60 Hz

Rated Current: 115VAC 250VAC
 3A 3A
 6A 6A

Current Overload: 6X for 8 seconds

Hi-Pot Test (1 min):

Line to Ground 1500VAC
 Line to Line 1768VDC

Insulation Resistance: $9 \times 10^9 \Omega$ at 100VDC

Ambient Temperature: 40°C Max at rated current

Humidity Range: 0% to 95% R.H.

Termination:

- A: QC – Quick Connect
- F: Fused IEC
- J: Switched IEC
- P: PC – P.C. Board
- W: Dual Fused IEC

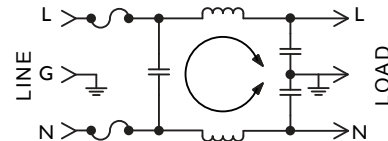
Maximum Leakage Current:

Each Line to Ground **F2600**
 115VAC, 60Hz: 0.25mA
 250VAC, 50Hz: 0.40mA

Agency Approvals:



F2600F Simplified Schematic

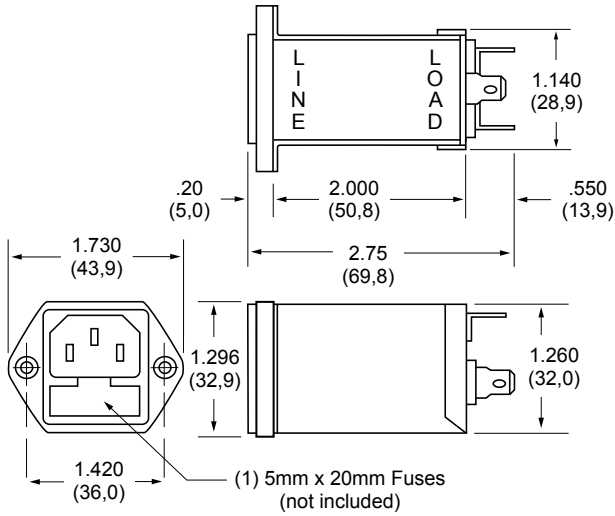


Nominal Current Rating	Part Number	Termination Line/Load	MINIMUM INSERTION LOSS - dB (50 ohm Circuit)						
			MODE	Frequency - MHz					
				.15	.50	1.0	5.0	10	30
3A	F2600FA03 F2600FP03	Fused IEC/QC Fused IEC/PC	Common	21	35	41	50	50	50
			Differential	8	18	24	40	50	40
6A	F2600FA06 F2600FP06	Fused IEC/QC Fused IEC/PC	Common	18	34	41	45	45	45
			Differential	8	18	24	40	50	50
3A	F2600WA03 F2600WP03	Dual Fused IEC/QC Dual Fused IEC/PC	Common	21	35	41	45	45	50
			Differential	8	18	24	40	50	40
6A	F2600WA06 F2600WP06	Dual Fused IEC/QC Dual Fused IEC/PC	Common	18	34	41	40	40	45
			Differential	8	18	24	40	50	50
3A	F2600JA03 F2600JP03	Switched IEC/QC Switched IEC/PC	Common	21	35	41	45	45	50
			Differential	8	18	24	40	50	40
6A	F2600JA06 F2600JP06	Switched IEC/QC Switched IEC/PC	Common	18	34	41	40	40	45
			Differential	8	18	24	40	50	50

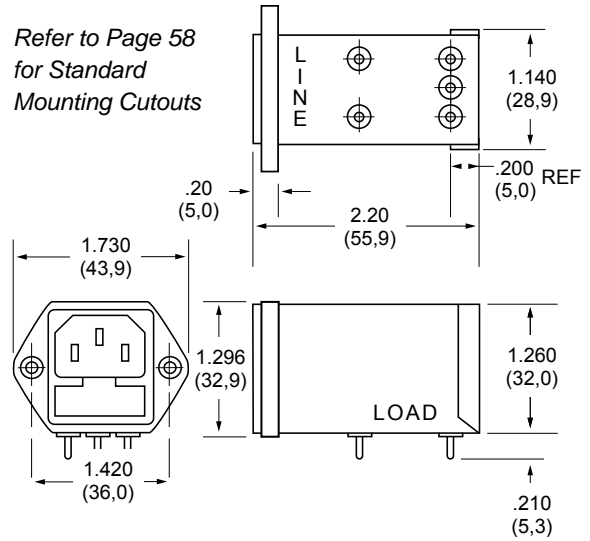
NOTE: Other combinations of terminals may be specified on special order.



F2600FA (3 and 6Amp) Dimensions

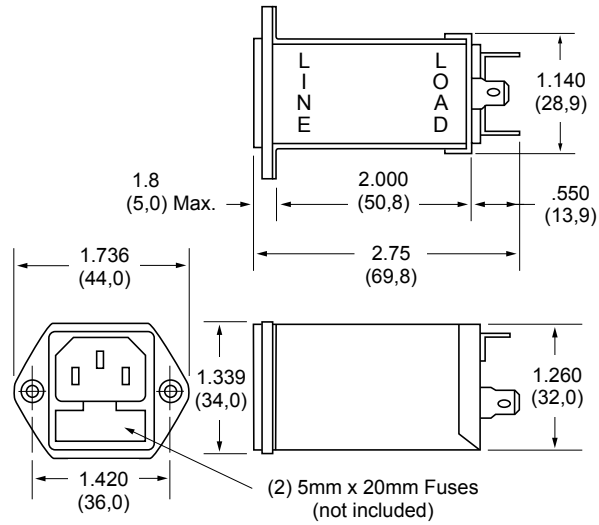
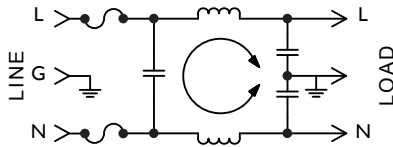


F2600FP (3 and 6Amp) Dimensions



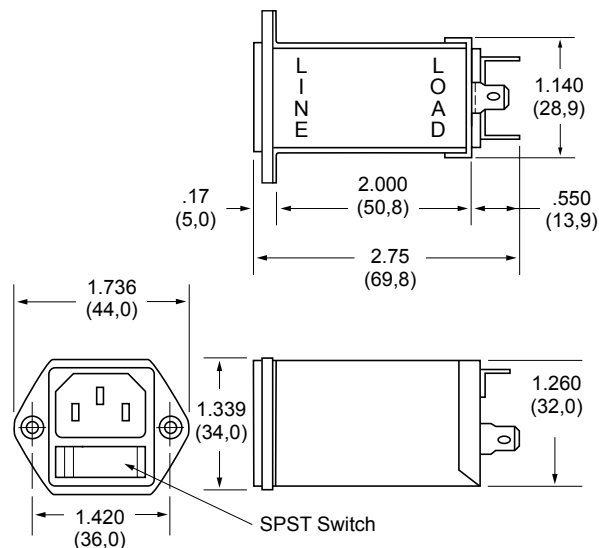
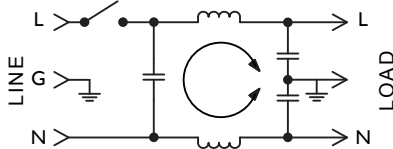
F2600WA (3 and 6Amp) Dimensions

F2600W Simplified Schematic



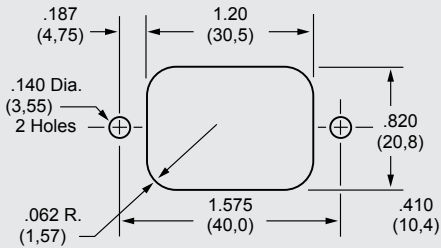
F2600JA (3 and 6Amp) Dimensions

F2600J Simplified Schematic

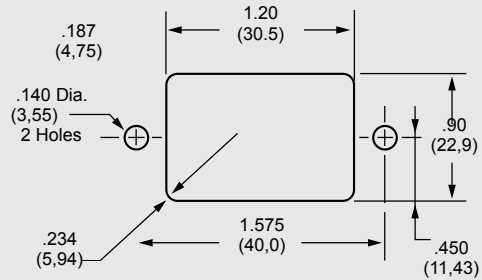


Standard Mounting Cutouts

F2199CA, F2200CA, F2300CA, F2400CA, F2500CA, F2700CA, F3100CA, F3200CA, F3400CA, F3500CA

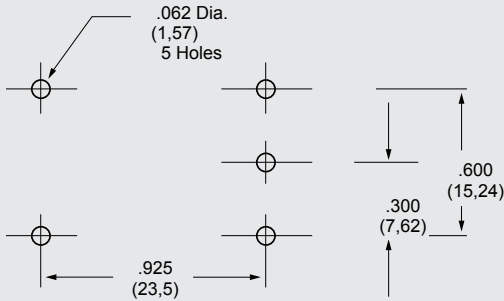


Back Mounting

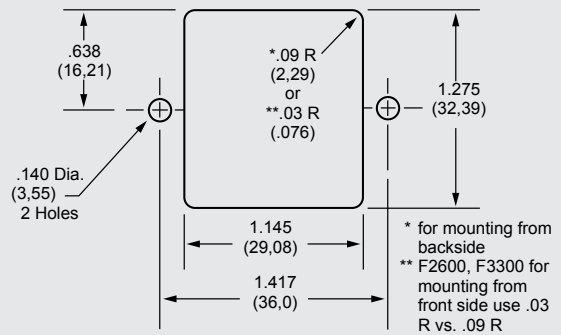


Front Mounting

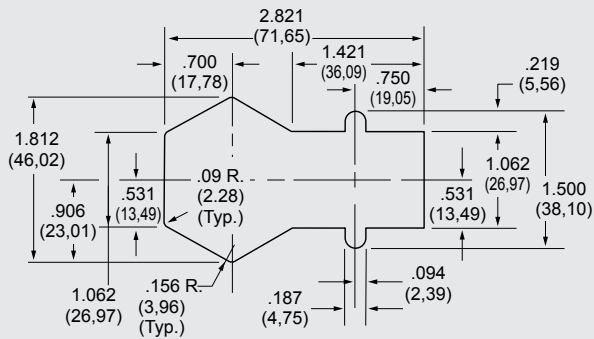
F2600FP, F3300FP



F2600, F3300



F2700FB



PE1 Screw Mount Series

