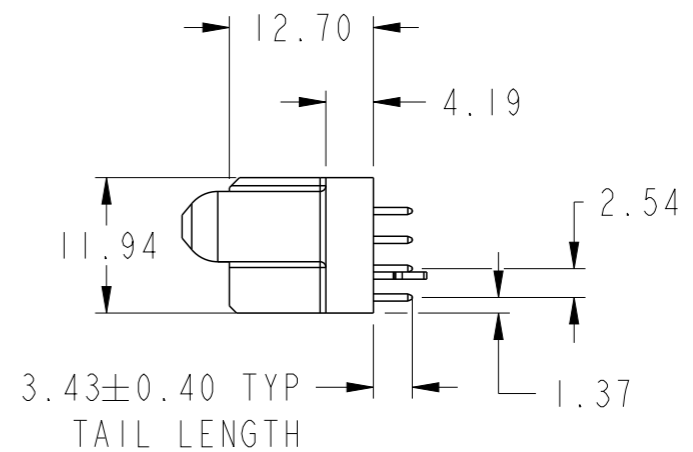
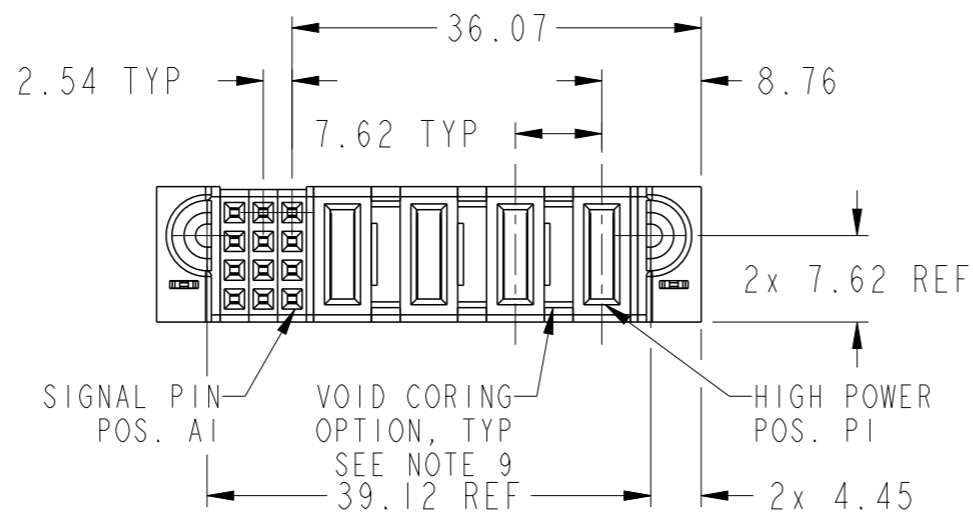
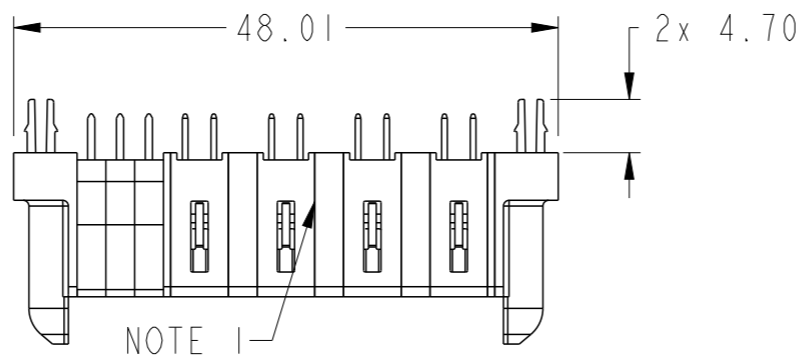
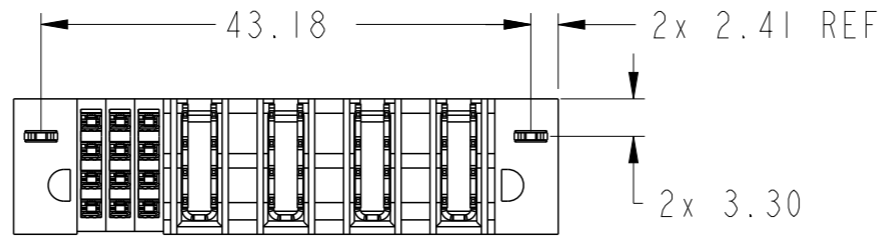


PRODUCT NUMBER SEE SHEET 2

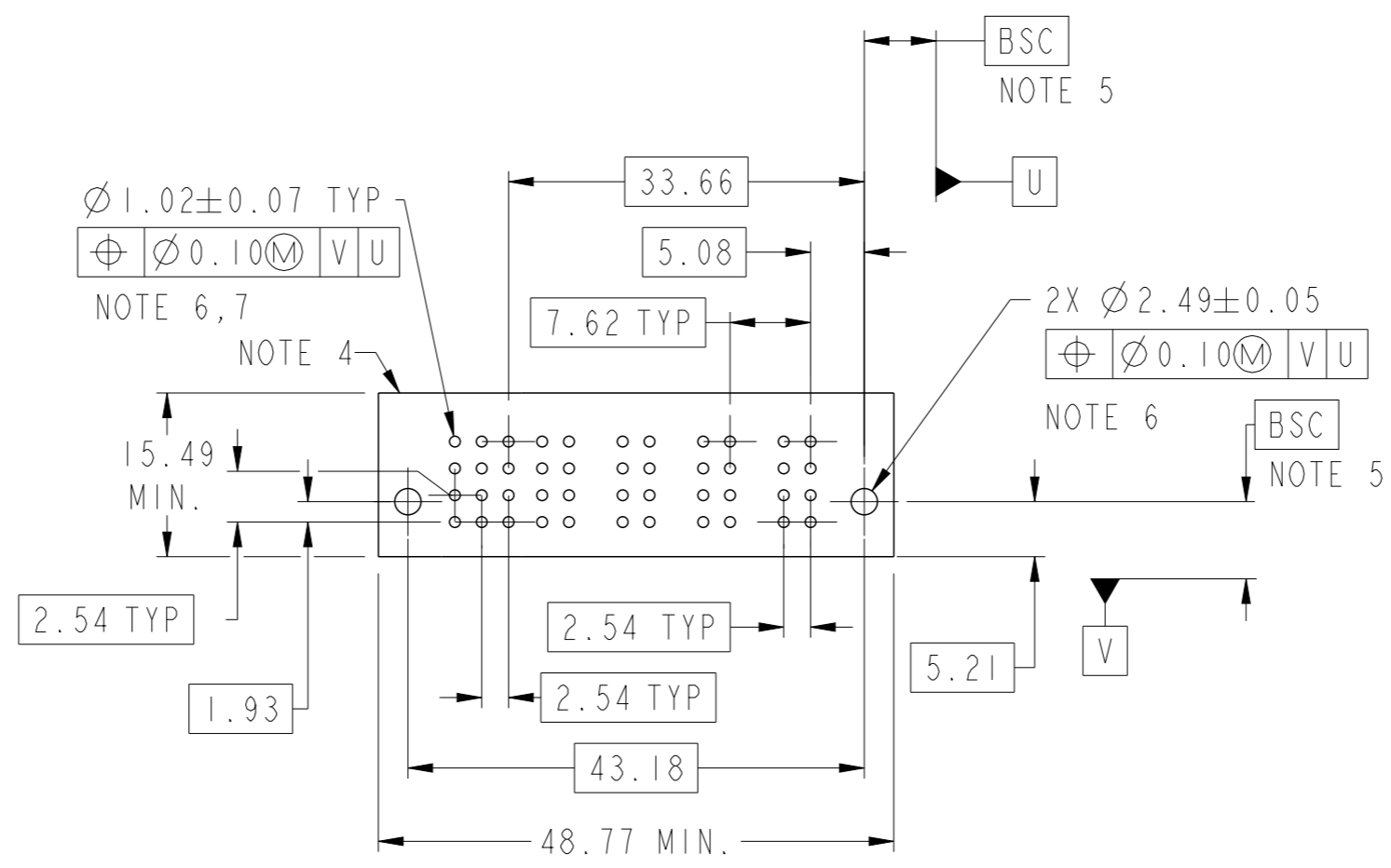


spec ref		dr	Rainbow Zhan	2014/12/03	projection	MM	size	A3	scale	3:2	
tolerance std ASME Y14.5		eng	Li-He He	2014/12/11			ecn no	-			
TOLERANCES UNLESS OTHERWISE SPECIFIED		chr	Li-He He	2014/12/11	product family	PowerBlade+	rel level		Released		
		appr	Pei-Ming Zheng	2014/12/12			rel level		Released		
surface	linear	0.X	±0.50		4ACP + 12S VT STB RECEPTACLE		dwg no	10106122-4003001		rev	A
		0.XX	±0.25								
ASME Y14.5	angular	0°	±2°				www.fci.com	cat. no.	Product - Customer Drw	sheet 1 of 3	

Copyright FCI.

PRODUCT NO.	ROWS	SIGNAL				HIGH POWER				E2
		E1	3	2	1	P4	P3	P2	P1	
10106122-4003001LF	DCBA					H3	H3	H3	H3	

CODE	DESCRIPTION
E	STD SIGNAL CONTACT
H3	STD HIGH POWER CONTACT (3.43)
HA	METAL HOLD DOWN



Copyright FCI.

dr	Rainbow Zhan	2014/12/03	projection		MM	size	A3	scale	3:2
eng	Rainbow Zhan	2014/12/12				ecn no	-		
chr	Li-He He	2014/12/11				rel level	Released		
appr	Pei-Ming Zheng	2014/12/12	product family	PowerBlade+					
		4ACP + 12S VT STB RECEPTACLE			dwg no	10106122-4003001		rev	A
www.fci.com		cat. no.	Product - Customer Drw			sheet 2 of 3			

A

B

C

D

A

B

C

D

NOTES:

- 1) "FCI", PART NUMBER AND DATE CODE TO BE MARKED ON THIS SURFACE.
THE MARK CAN BE OMITTED IF THERE IS NOT ENOUGH SPACE ON THIS SURFACE.
- 2) MATERIALS:
-HOUSING - GLASS FILLED WITH HIGH TEMP THERMOPLASTIC, UL94V-0.
-SIGNAL CONTACT - COPPER ALLOY.
-POWER CONTACT - HIGH CONDUCTIVITY COPPER ALLOY.
- 3) PLATING SPECIFICATION REFER TO FCI 10116351
- 4) DENOTES CONNECTOR KEEP OUT ZONE.
- 5) DATUM AND BASIC DIMENSIONS WERE ESTABLISHED BY CUSTOMER.
- 6) ALL HOLE DIAMETERS ARE FINISHED HOLE SIZES.
- 7) 1.15 ± 0.025 MM DRILLED HOLE PLATED WITH 0.00762MM MIN Sn
OVER 0.0254-0.0762MM Cu PLATING TO ACHIEVE A 1.02 ± 0.07 MM HOLE.
- 8) PRODUCT SPECIFICATION REFER TO FCI GS-12-658.
APPLICATION SPECIFICATION REFER TO FCI GS-20-141.
PRODUCT PACKAGED IN TRAYS, REFER TO FCI GS-14-1502.
- 9) THE VOID CORING IN BETWEEN POWER MODULES, SIGNAL
MODULES AND END MODULES ARE OPTIONAL AND THE SHAPE
MAY BE DIFFERENT FOR OPTIMIZE THE MOLDING PROCESS. THE
VOID CORING WILL NOT EFFECT TO PRODUCT FUNCTION.



Copyright FCI.

dr	Rainbow Zhan	2014/12/03	projection 	MM 	size	A3	scale	1:1	
eng	Rainbow Zhan	2014/12/12			ecn no	-			
chr	Li-He He	2014/12/11			rel level	Released			
appr	Pei-Ming Zheng	2014/12/12	product family	PowerBlade+					
		4ACP + 12S VT STB RECEPTACLE			dwg no	10106122-4003001		rev	A
www.fci.com		cat. no.	Product - Customer Drw		sheet 3 of 3				