

GlobTek, Inc.
 www.globtek.com
 186 Veterans Drive,
 Northvale, NJ 07647
 Tel. (201) 784-1000
 Fax (201) 784-0111

Drawing Title: GTM96900P9024-T3, ITE / Medical Power Supply/Class 2/Household Power Supply, Efficiency Level: VI, Case Color/Style: GlobTek Black, Desktop/External, Regulated Switchmode AC-DC Power Supply AC Adaptor, Input Rating: 100-240V~, 50-60Hz, IEC 60320/C14 , Output Rating: 90W, 24V@3.75A, Output Configuration: 1500 mm, 18/1C + Shield Cond, UL 1185, 4 Pin Kycon Locking Plug or Equal, Ferrite: None, GlobTek Black, GT Cord # C20246, Pin Out: PINS 2,4: +V, PINS 1, 3, SHELL: COM (and EARTH GROUND if power supply grounding configuration specifies grounded Common return), Blades/Input Cord: (Order Separately), Approvals: RCM LPS CCC Patent US9838207B2 VCCI EAC IP41 Option cETLus cETLus cETLus CB ETL ETL CB S-Mark CB ETL CB S-Mark CE China RoHS Class I Level VI RoHS Ukraine WEEE PSE PSE

Model No. GTM96900P9024-T3

Part No./Ordering No. TR9CI3750YL4IMR6BLPS

Rev B

REVISION HISTORY

| REV | DESCRIPTION | SUB | DATE | APPROVED |
|-----|---|-------|------------|----------|
| B | Revise part number TR9CI3750YL4CIMR6B to TR9CI3750YL4IMR6BLPS to follow format. | bsiep | 03/27/2018 | QA |
| A | Initial Release | bsiep | 03/26/2018 | QA |

In Addition to GlobTek Inc.'s renewed ISO9001:2008 - Quality Management System Certification, GlobTek Inc. is now certified to:

ISO13485:2003 - Medical Devices Quality Management System Certification
 ISO14001:2004 - Environmental Management System Certification

ISO Certificates are available online at <http://www.globtek.com/iso-certificates/>

Customer Approval of Specification:

Please approve, sign and send back to GlobTek so we can complete order processing.

A delay in receipt of this form will delay delivery schedule.

Company Name:

Customer P/N:

Quote Number:

Date:

Authorized Representative Name:

Authorized Representative Signature:

The acceptance of this specification and use of the product described in this document indicates the acceptance and binding of the customer to Globtek terms and conditions, which supersede all other agreements, terms, and conditions (<http://en.globtek.com/terms-and-conditions/>).

Footnote:

GlobTek Inc. will not be liable for the safety and performance of these power supplies if unauthorized access and repair occurs. End user should consult applicable UL, CSA or EN standards for proper installation instruction.

Limitation of Use:

GlobTek product are not authorized for use as mission critical components in life support hazardous environment, nuclear or aircraft applications without prior written approval from the CEO of GlobTek Inc.

Contents of this document are subject to change without prior notice.

GTM96900P9024-T3, 90W, 24V@3.75A, Desktop/External, Regulated Switchmode AC-DC Power Supply AC Adaptor

PROPRIETARY INFORMATION

PROPRIETARY OF GLOBTEK, INC. ANY REPRODUCTION, DISCLOSURE OR USE OF THIS DRAWING, IN WHOLE OR IN PART, IS HEREBY PROHIBITED EXCEPT AS SPECIFIED IN WRITING BY GLOBTEK, INC.

GlobTek, Inc.
www.globtek.com
186 Veterans Drive,
Northvale, NJ 07647
Tel. (201) 784-1000
Fax (201) 784-0111

Drawing Title: GTM96900P9024-T3, ITE / Medical Power Supply/Class 2/Household Power Supply, Efficiency Level: VI, Case Color/Style: GlobTek Black, Desktop/External, Regulated Switchmode AC-DC Power Supply AC Adaptor, Input Rating: 100-240V~, 50-60Hz, IEC 60320/C14 , Output Rating: 90W, 24V@3.75A, Output Configuration: 1500 mm, 18/1C + Shield Cond, UL 1185, 4 Pin Kycon Locking Plug or Equal, Ferrite: None, GlobTek Black, GT Cord # C20246, Pin Out: PINS 2,4: +V, PINS 1, 3, SHELL: COM (and EARTH GROUND if power supply grounding configuration specifies grounded Common return), Blades/Input Cord: (Order Separately), Approvals: RCM LPS CCC Patent US9838207B2 VCCI EAC IP41 Option cETLus cETLus cETLus CB ETL ETL CB S-Mark CB ETL CB S-Mark CE China RoHS Class I Level VI RoHS Ukraine WEEE PSE PSE PSE

Model No. GTM96900P9024-T3

Part No./Ordering No. TR9CI3750YL4IMR6BLPS

Rev B

POWER SUPPLY INFORMATION

TYPE: Desktop/External
TECHNOLOGY: Regulated Switchmode AC-DC Power Supply AC Adaptor
CASE COLOR: GlobTek Black
NAMEPLATE RATED INPUT: 100-240V~, 50-60Hz, 1.5A
INPUT CONFIG: IEC 60320/C14
WATTS: 90.0
VOLTS OUT: 24
CURRENT OUT (Amps): 3.75
BLADE/CORD INCLUDED: None:
BLADE/CORD INSTALLED: None:
GROUNDING CONFIGURATION (F2) Isolated Functional Earth for GTM96 series, Improved EMC
EFFICIENCY LEVEL: VI
OUTPUT CONFIGURATION 1500 mm, 18/1C + Shield Cond, UL 1185, 4 Pin Kycon Locking Plug or Equal, Ferrite: None, GlobTek Black, GT Cord # C20246
CONNECTOR PIN OUT: PINS 2,4: +V, PINS 1, 3, SHELL: COM (and EARTH GROUND if power supply grounding configuration specifies grounded Common return)
LABEL SPECS: Standard GT,L-1186
PACK SPEC: Standard DT, Cellular packaging

Notes/Modifications/Customizations (notes in this section supersede the values shown in the standard spec):



LPS ~ Reference RFP RFI-497430 for implementation.

DIMENSIONS ARE IN MM UNLESS SPECIFIED OTHERWISE.

GlobTek, Inc.
www.globtek.com
186 Veterans Drive,
Northvale, NJ 07647
Tel. (201) 784-1000
Fax (201) 784-0111

Drawing Title: GTM96900P9024-T3, ITE / Medical Power Supply/Class 2/Household Power Supply, Efficiency Level: VI, Case Color/Style: GlobTek Black, Desktop/External, Regulated Switchmode AC-DC Power Supply AC Adaptor, Input Rating: 100-240V~, 50-60Hz, IEC 60320/C14, Output Rating: 90W, 24V@3.75A, Output Configuration: 1500 mm, 18/1C + Shield Cond, UL 1185, 4 Pin Kycon Locking Plug or Equal, Ferrite: None, GlobTek Black, GT Cord # C20246, Pin Out: PINS 2,4: +V, PINS 1, 3, SHELL: COM (and EARTH GROUND if power supply grounding configuration specifies grounded Common return), Blades/Input Cord: (Order Separately), Approvals: RCM LPS CCC Patent US9838207B2 VCCI EAC IP41 Option cETLus cETLus cETLus CB ETL ETL CB S-Mark CB ETL CB S-Mark CE China RoHS Class I Level VI RoHS Ukraine WEEE PSE PSE PSE

Model No. GTM96900P9024-T3

Part No./Ordering No. TR9CI3750YL4IMR6BLPS

Rev B

ELECTRICAL SPECIFICATIONS

A) ELECTRICAL SPECIFICATIONS:

01. Input Voltage: Specified 90-264 Vac, Nameplate rated: 100-240Vac
90-264Vac range @ 100% of rated load current
85-264 Vac range @ 90% of rated load current
90-370 VDC range @ 100% of rated load current
02. Input Frequency: Specified 47-63 Hz, Nameplate rated 50/60Hz
03. Power Factor: 0.90 minimum @ 230Vac, 0.97 minimum @ 115Vac
04. Output Type: LPS (Limited Power Source), limited to less than 8A and 100W
04. Output Regulation: +/- 4% measured at the output connector
05. Line Voltage Regulation: +/- 0.5% typical measured at full load
06. Green Power On Indicator LED
07. Output Ripple (Vp-p): 1% or 200 mV whichever is greater, measured at 20 MHz bandwidth with 0.1 uf ceramic capacitor in parallel with a low impedance 47 uf electrolytic capacitor connected at the end of the output connector at nominal line
08. Turn-ON/OFF Overshoot: 8% maximum, 1 mS typical recovery time for 25% to 50% step load
09. Turn-ON Delay: 1 second typical
10. Hold-Up Time: 20 mS minimum
11. Inrush Current: 30A maximum at 115Vac input and 60A maximum at 230 Vac input
12. Switching Frequency: Varies from 25KHz to 125KHz
13. Efficiency: Compliant with Efficiency Level VI Standard and 230 CoC Tier 2 Limits
14. No Load Standby Power: <0.15 W @ 230Vac

B) PROTECTION

01. Input Protection: Input line fusing and 300Vac rated MOV
02. Non-LPS version: Current Limited to 110% to 160% of rated output current
03. LPS version: Short Circuit/Overload limited to less than 8A and 100W (add Z suffix in model #)
04. Over-Temperature : Inherently protected against continuous overload at high temperature
05. Output Over-Voltage: 110% to 135% of nominal output voltage under full load condition, and less than 60V max. Latching protection, cycle AC OFF to reset.

C) SAFETY

01. Dielectric Withstand Voltage: 4000Vac or 5656Vdc from input to output, On Class I models, 3000Vac or 4242Vdc from input to earth
02. Earth Leakage Current: Class I models < 300uA, N/A for Class II models
03. Touch Current: Class I models < 20uA, Class II models < 70uA
04. [Output Isolation Options:](#)
 - a) C8 or C18 Inlet, Class II
 - b) C6 or C14 Inlet, Class II FE, Output Isolated from Earth contact
 - c) C6 or C14 Inlet, Class I, Output negative directly attached to Earth contact
05. Earth Continuity Test: < 0.1 Ohm between Earth Pin at AC input and PCB termination point (Class I models only)
06. Means of Protection: 2 x MOPP
07. Primary to Secondary Bridging Capacitance: Two IEC60384-14 certified Y1 type capacitors in series
08. Compliant Standards: See listings at end of this drawing for specifics

D) EMC

- EN 60601-1-2, 4th edition
Emissions, per EN 55032, EN 61000-6-3, EN 61000-6-4
Conducted Emissions: Class B, FCC Part 15, Class B
Radiated Emissions: Class B, FCC Part 15, Class B
Line Frequency Harmonics EN61000-3-2, Class A
Voltage Fluctuations/Flicker EN61000-3-3
- Immunity, per EN 55024, EN 61000-6-1, EN 61000-6-2
Static Discharge Immunity EN61000-4-2, 10kV Contact Discharge, 18kV air discharge
Radiated RF Immunity EN61000-4-3, 10V/m 80-1000MHz, 3V/m 1-2.7GHz, 80% 1KHz AM.
EFT/Burst Immunity EN61000-4-4, 4kV/100kHz.
Line Surge Immunity EN61000-4-5, 2kV differential, 4kV common-mode
Conducted RF Immunity EN61000-4-6, 3Vrms, 80% 1KHz AM
Power Frequency Magnetic Field Immunity EN61000-4-8, 3A/m
Voltage Dip Immunity EN61000-4-11, Criteria

PROPRIETARY INFORMATION

PROPRIETARY OF GLOBTEK, INC. ANY REPRODUCTION, DISCLOSURE OR USE OF THIS DRAWING, IN WHOLE OR IN PART, IS HEREBY PROHIBITED EXCEPT AS SPECIFIED IN WRITING BY GLOBTEK, INC.

quest /08/20/2018 7:42:44 AM

GlobTek, Inc.
www.globtek.com
186 Veterans Drive,
Northvale, NJ 07647
Tel. (201) 784-1000
Fax (201) 784-0111

Drawing Title: GTM96900P9024-T3, ITE / Medical Power Supply/Class 2/Household Power Supply, Efficiency Level: VI, Case Color/Style: GlobTek Black, Desktop/External, Regulated Switchmode AC-DC Power Supply AC Adaptor, Input Rating: 100-240V~, 50-60Hz, IEC 60320/C14, Output Rating: 90W, 24V@3.75A, Output Configuration: 1500 mm, 18/1C + Shield Cond, UL 1185, 4 Pin Kycon Locking Plug or Equal, Ferrite: None, GlobTek Black, GT Cord # C20246, Pin Out: PINS 2,4: +V, PINS 1, 3, SHELL: COM (and EARTH GROUND if power supply grounding configuration specifies grounded Common return), Blades/Input Cord: (Order Separately), Approvals: RCM LPS CCC Patent US9838207B2 VCCI EAC IP41 Option cETLus cETLus cETLus CB ETL ETL CB S-Mark CB ETL CB S-Mark CE China RoHS Class I Level VI RoHS Ukraine WEEE PSE PSE PSE

Model No. GTM96900P9024-T3

Part No./Ordering No. TR9CI3750YL4IMR6BLPS

Rev B

E) OTHER:

01. MTBF: 500,000 Hours @ 40°C ambient temperature, Full Load
02. Operating Temperature:
GTM96900P Family: 0°C to 50°C ambient temperature with full load
Regarding Operating Temperature,
 - a- See below derating table for output power capability at alternate temperature
 - b- Extended low end temperature range available as custom option
03. Humidity: 0% to 95% relative humidity, non-condensing
04. Storage Temperature: -30°C to 80°C
05. Cooling: Convection
06. ROHS: Compliant with latest regulations, see approvals section below
07. Operational Altitude: 5000M

F) ENCLOSURE

01. Housing: High impact plastic, 94V0 polycarbonate, non-vented
02. Size: 149.4 x 62.6 x 33.5 +/-1.0 mm
03. Markings: Label or Laser printed
04. AC Input mechanical options: Desktop C6, C8, C14 or C18 IEC Inlet.

G) SPECIAL OPTIONS

01. LPS or non-LPS versions (Z suffix for LPS model)
02. Custom Cordsets, various cordage types, and connector types
03. Custom Markings
04. Short term Output Surge Capability, as a non-LPS version
05. Reduced Leakage Current version, medical CF leakage current compliance
06. Tightened output voltage tolerance
07. Reduced Output Ripple Level
08. Reduced output power Marking/Rating
09. LED Lighting, Class C Line Harmonics per 61000-3-2
Three Power Ranges available: 27-50W, 40-65W and 57-90W
10. High Rel PCB laminate with Plated through Holes for IPC610 Class 2 Compliance
11. Low Temperature operation, down to -40°C
12. Special Housing Colors and Cordset Colors

H) OUTPUT CONNECTORS

Several output connector options are available with various output current ratings. GlobTek can supply 10A rated 2.1mm and 2.5mm style DC Power Jacks, to complement our 10A output rated 2.1mm and 2.5mm DC power plugs used on our output cordsets.

2.1mm PCB DC Power Jack ordering code: **JACK-C-PC-10A-RA(R)**

2.5mm PCB DC Power Jack ordering code: **JACK-L-PC-10A-RA(R)**

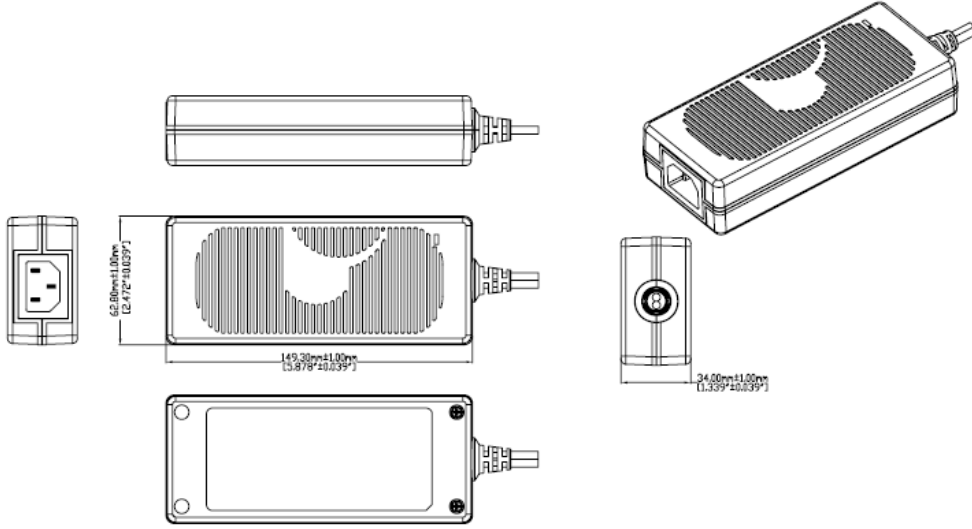
GlobTek, Inc.
 www.globtek.com
 186 Veterans Drive,
 Northvale, NJ 07647
 Tel. (201) 784-1000
 Fax (201) 784-0111

Drawing Title: GTM96900P9024-T3, ITE / Medical Power Supply/Class 2/Household Power Supply, Efficiency Level: VI,
 Case Color/Style: GlobTek Black, Desktop/External, Regulated Switchmode AC-DC Power Supply AC Adaptor, Input Rating:
 100-240V~, 50-60Hz, IEC 60320/C14 , Output Rating: 90W, 24V@3.75A, Output Configuration: 1500 mm, 18/1C + Shield
 Cond, UL 1185, 4 Pin Kycon Locking Plug or Equal, Ferrite: None, GlobTek Black, GT Cord # C20246, Pin Out: PINS 2,4: +V,
 PINS 1, 3, SHELL: COM (and EARTH GROUND if power supply grounding configuration specifies grounded Common return),
 Blades/Input Cord: (Order Separately), Approvals: RCM LPS CCC Patent US9838207B2 VCCI EAC IP41 Option cETLus
 cETLus cETLus CB ETL ETL CB S-Mark CB ETL CB S-Mark CE China RoHS Class I Level VI RoHS Ukraine WEEE PSE
 PSE PSE

Model No. GTM96900P9024-T3

Part No./Ordering No. TR9CI3750YL4IMR6BLPS

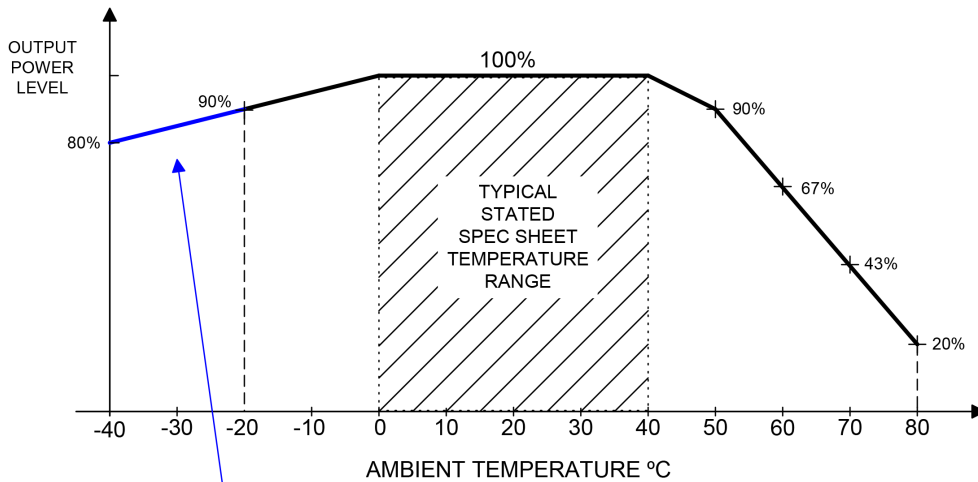
Rev B



DERATING CURVE

TYPICAL EXTERNAL POWER SUPPLY
 DERATING CURVE

(GTM96900 LPS PRODUCTS)



Blue Line represents special/optional Low Temperature,
 High Performance Construction

GlobTek, Inc.
 www.globtek.com
 186 Veterans Drive,
 Northvale, NJ 07647
 Tel. (201) 784-1000
 Fax (201) 784-0111

Drawing Title: GTM96900P9024-T3, ITE / Medical Power Supply/Class 2/Household Power Supply, Efficiency Level: VI, Case Color/Style: GlobTek Black, Desktop/External, Regulated Switchmode AC-DC Power Supply AC Adaptor, Input Rating: 100-240V~, 50-60Hz, IEC 60320/C14 , Output Rating: 90W, 24V@3.75A, Output Configuration: 1500 mm, 18/1C + Shield Cond, UL 1185, 4 Pin Kycon Locking Plug or Equal, Ferrite: None, GlobTek Black, GT Cord # C20246, Pin Out: PINS 2,4: +V, PINS 1, 3, SHELL: COM (and EARTH GROUND if power supply grounding configuration specifies grounded Common return), Blades/Input Cord: (Order Separately), Approvals: RCM LPS CCC Patent US9838207B2 VCCI EAC IP41 Option cETLus cETLus cETLus CB ETL ETL CB S-Mark CB ETL CB S-Mark CE China RoHS Class I Level VI RoHS Ukraine WEEE PSE PSE PSE

Model No. GTM96900P9024-T3

Part No./Ordering No. TR9CI3750YL4IMR6BLPS

Rev B

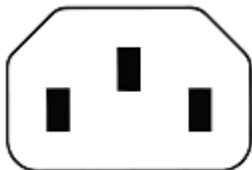
INPUT CONFIGURATION

Grounding Configuration:

Blades/Cord Included: None:

Blades/Cord Installed: None:

IEC 60320/C14 AC Inlet Connector, Class I, Earth Ground



Mates with IEC 60320/C13 Plug

Optional Locking IEC60320 Receptacle and cord option available on some models by request.:



[Standard International IEC 320/C13 Cordsets](#)

Below are standard cordsets which are "not included" (unless stated above); these can be purchased separately or packaged with the power supply. Contact your Sales Engineer if the style required is not shown below. Many more available in different lengths, colors or cable material.

Stock Power Supply Cords

| Part Number/ Link | Country | Plug | Termination | Length (mm) | (Ft) |
|-------------------------------------|-------------|---------------------|-------------|-------------|------|
| 3 Conductors (Grounded) IEC 320/C13 | | | | | |
| 3021457F701(R) | N. American | NEMA 5-15P | IEC 320/C13 | 2150 | 7 |
| 1191068F0701(R) | N. American | NEMA 5-15P Hospital | IEC 320/C13 | 2459 | 8 |
| 2194272M5701-T(R) | Argentina | IRAM 2073 | IEC 320/C13 | 2500 | 8 |
| 5502022M5701A(R) | Australian | AS3112 / 3 PRONG | IEC 320/C13 | 2500 | 8 |
| 204B4272M5701(R) | Brazil | BRAZILIAN; WS-002 | IEC 320/C13 | 2500 | 8 |

PROPRIETARY INFORMATION

PROPRIETARY OF GLOBTEK, INC. ANY REPRODUCTION, DISCLOSURE OR USE OF THIS DRAWING, IN WHOLE OR IN PART, IS HEREBY PROHIBITED EXCEPT AS SPECIFIED IN WRITING BY GLOBTEK, INC.

quest /08/20/2018 7:42:44 AM

GlobTek, Inc.
www.globtek.com
186 Veterans Drive,
Northvale, NJ 07647
Tel. (201) 784-1000
Fax (201) 784-0111

Drawing Title: GTM96900P9024-T3, ITE / Medical Power Supply/Class 2/Household Power Supply, Efficiency Level: VI, Case Color/Style: GlobTek Black, Desktop/External, Regulated Switchmode AC-DC Power Supply AC Adaptor, Input Rating: 100-240V~, 50-60Hz, IEC 60320/C14 , Output Rating: 90W, 24V@3.75A, Output Configuration: 1500 mm, 18/1C + Shield Cond, UL 1185, 4 Pin Kycon Locking Plug or Equal, Ferrite: None, GlobTek Black, GT Cord # C20246, Pin Out: PINS 2,4: +V, PINS 1, 3, SHELL: COM (and EARTH GROUND if power supply grounding configuration specifies grounded Common return), Blades/Input Cord: (Order Separately), Approvals: RCM LPS CCC Patent US9838207B2 VCCI EAC IP41 Option cETLus cETLus cETLus CB ETL ETL CB S-Mark CB ETL CB S-Mark CE China RoHS Class I Level VI RoHS Ukraine WEEE PSE PSE PSE

Model No. GTM96900P9024-T3

Part No./Ordering No. TR9CI3750YL4IMR6BLPS

Rev B

| | | | | | |
|---|---------------|---|-------------|------|---|
| 6023602M5701(R) | China | CCC GR2099 | IEC 320/C13 | 2500 | 8 |
| G8014272M5701(R) | Danish | AFSNIT SECTION 107-2-D1 | IEC 320/C13 | 2500 | 8 |
| 23144272M5701-T(R) | Europe | CEE 7/7 | IEC 320/C13 | 2500 | 8 |
| 2084272M5701(R) | India | India IS 1293 (also known as IA16A3 or BS546) | IEC 320/C13 | 2500 | 8 |
| 377C4272M5701(R) | Israel | ISL 377C | IEC 320/C13 | 2500 | 8 |
| 23024272M5701(R) | Italy | CEI 23-16/VII | IEC 320/C13 | 2500 | 8 |
| 3003339F701(R) [3x1.25mm2] 3003068F2701-HK(R) [3 x 2.0mm2] | Japan | JIS 8303 / 3 PINS | IEC 320/C13 | 2500 | 8 |
| 2313K3432M5701(R) | Korea | KS C 8305 | IEC 320/C13 | 2500 | 8 |
| 23144272M5701-T(R) [Same as Europe Above] | Russia | GOST 7396 | IEC 320/C13 | 2500 | 8 |
| 2084272M5701(R) | S. Africa | S. African | IEC 320/C13 | 2500 | 8 |
| 23214272M5701(R) | Switzerland | SEV 1011 (EL 203) | IEC 320/C13 | 2500 | 8 |
| 3003322M5701(R) | Taiwan | BSMI | IEC 320/C13 | 2500 | 8 |
| PZ0800100-2M5BK13H(R) | UK | BS 1363A | IEC 320/C13 | 2500 | 8 |
| 7055002M5701A(R) | International | IEC 320 C14-C13 | IEC 320/C13 | 2500 | 8 |

GlobTek, Inc.
 www.globtek.com
 186 Veterans Drive,
 Northvale, NJ 07647
 Tel. (201) 784-1000
 Fax (201) 784-0111

Drawing Title: GTM96900P9024-T3, ITE / Medical Power Supply/Class 2/Household Power Supply, Efficiency Level: VI, Case Color/Style: GlobTek Black, Desktop/External, Regulated Switchmode AC-DC Power Supply AC Adaptor, Input Rating: 100-240V~, 50-60Hz, IEC 60320/C14 , Output Rating: 90W, 24V@3.75A, Output Configuration: 1500 mm, 18/1C + Shield Cond, UL 1185, 4 Pin Kycon Locking Plug or Equal, Ferrite: None, GlobTek Black, GT Cord # C20246, Pin Out: PINS 2,4: +V, PINS 1, 3, SHELL: COM (and EARTH GROUND if power supply grounding configuration specifies grounded Common return), Blades/Input Cord: (Order Separately), Approvals: RCM LPS CCC Patent US9838207B2 VCCI EAC IP41 Option cETLus cETLus cETLus CB ETL ETL CB S-Mark CB ETL CB S-Mark CE China RoHS Class I Level VI RoHS Ukraine WEEE PSE PSE PSE

Model No. GTM96900P9024-T3

Part No./Ordering No. TR9CI3750YL4IMR6BLPS

Rev B

OUTPUT CORD AND CONNECTOR: YL4/C20246

ACTUAL CONNECTORS, OVERMOLDS, FERRITES MAY VARY SLIGHTLY FROM THE PICTURE BELOW

| | |
|---|---|
| CABLE TYPE | UL 1185 |
| CABLE LENGTH (mm) | 1500 |
| CABLE TOLERANCE (mm) | +150 / -0 |
| WIRE GAUGE (AWG) | 18 |
| CONDUCTORS | 1C + Shield |
| HANK DIMENSION (mm) | 120 ± 10 |
| CABLE / CONNECTOR OVERMOLD COLOR | GlobTek Black |
| FERRITE TYPE / DIMENSION | None |
| FERRITE # OF TURNS (Definition) | N/A |
| FERRITE DIMENSION FROM STRAIN RELIEF | N/A |
| FERRITE DIMENSION FROM PLUG | N/A |
| PLUG TYPE | 4 Pin Kycon Locking Plug or Equal |
| OVER MOLD ORIENTATION | Straight |
| CONNECTOR PIN OUT: | PINS 2,4: +V, PINS 1, 3, SHELL: COM (and EARTH GROUND if power supply grounding configuration specifies grounded Common return) |
| ADDITIONAL REQUIREMENTS | |

GlobTek, Inc.
www.globtek.com
186 Veterans Drive,
Northvale, NJ 07647
Tel. (201) 784-1000
Fax (201) 784-0111

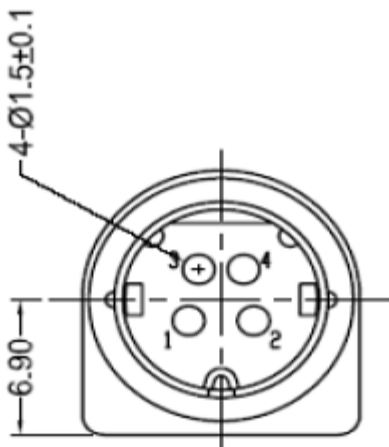
Drawing Title: GTM96900P9024-T3, ITE / Medical Power Supply/Class 2/Household Power Supply, Efficiency Level: VI,
Case Color/Style: GlobTek Black, Desktop/External, Regulated Switchmode AC-DC Power Supply AC Adaptor, Input Rating:
100-240V~, 50-60Hz, IEC 60320/C14 , Output Rating: 90W, 24V@3.75A, Output Configuration: 1500 mm, 18/1C + Shield
Cond, UL 1185, 4 Pin Kycon Locking Plug or Equal, Ferrite: None, GlobTek Black, GT Cord # C20246, Pin Out: PINS 2,4: +V,
PINS 1, 3, SHELL: COM (and EARTH GROUND if power supply grounding configuration specifies grounded Common return),
Blades/Input Cord: (Order Separately), Approvals: RCM LPS CCC Patent US9838207B2 VCCI EAC IP41 Option cETLus
cETLus cETLus CB ETL ETL CB S-Mark CB ETL CB S-Mark CE China RoHS Class I Level VI RoHS Ukraine WEEE PSE
PSE PSE

Model No. GTM96900P9024-T3

Part No./Ordering No. TR9CI3750YL4IMR6BLPS

Rev B

FRONT VIEW



PIN 2: +V
PIN 4: +V
PIN 1: COM/GND
PIN 3: COM/GND
SHELL: COM/GND

ADDITIONAL OUTPUT PLUG OPTIONS ARE AVAILABLE AT

<http://www.globtek.com/connectors/>

STANDARD PLUGS AND CONNECTORS CAN BE SEEN ONLINE AT <http://www.globtek.com/connectors/>

GlobTek, Inc.
 www.globtek.com
 186 Veterans Drive,
 Northvale, NJ 07647
 Tel. (201) 784-1000
 Fax (201) 784-0111

Drawing Title: GTM96900P9024-T3, ITE / Medical Power Supply/Class 2/Household Power Supply, Efficiency Level: VI, Case Color/Style: GlobTek Black, Desktop/External, Regulated Switchmode AC-DC Power Supply AC Adaptor, Input Rating: 100-240V~, 50-60Hz, IEC 60320/C14 , Output Rating: 90W, 24V@3.75A, Output Configuration: 1500 mm, 18/1C + Shield Cond, UL 1185, 4 Pin Kycon Locking Plug or Equal, Ferrite: None, GlobTek Black, GT Cord # C20246, Pin Out: PINS 2,4: +V, PINS 1, 3, SHELL: COM (and EARTH GROUND if power supply grounding configuration specifies grounded Common return), Blades/Input Cord: (Order Separately), Approvals: RCM LPS CCC Patent US9838207B2 VCCI EAC IP41 Option cETLus cETLus cETLus CB ETL ETL CB S-Mark CB ETL CB S-Mark CE China RoHS Class I Level VI RoHS Ukraine WEEE PSE PSE PSE

Model No. GTM96900P9024-T3

Part No./Ordering No. TR9CI3750YL4IMR6BLPS

Rev B

LABEL:L-1186

LABEL P/N: Standard GT
 MATERIAL: Flat Thermal Transfer, Imprintable, Polyester Label and/or Pad Printed and/or Molded, and/or Laser Engraved in the case
 BACKGROUND COLOR: Black if housing is Black, White or Silver if housing is White or Gray.
 TEXT COLOR: White or Silver if label is Black Background for Black housing. Black if label is White or Silver background and Housing is White or Gray
 LABEL WIDTH (mm): 50.0
 LABEL HEIGHT (mm): 110.0

Below is the minimum information which will appear on the label. NOTE: in the logo area additional/actual positioning of symbols and text is subjected to change as per agency updates/requirements or additional model approvals become available. Regulatory certifications/label markings may be in logo area on the label or molded into the case housing outside the label area. Information will be shown via label and/or pad printed and/or molded and/or laser engraved in the case. * Date code markings at GlobTek option.



↑
 XXX = USA or CHINA

DATE CODE A *:

DATE CODE LABEL



Series NO. Week Year
 Class NO. for production

or

DATE CODE B *:

WWYY
 WW = WEEK
 YY = YEAR

A=ITE / Medical Power Supply/Class 2/Household Power Supply
 B=P/N: (料号) TR9CI3750YL4IMR6BLPS
 C=Model (型号) GTM96900P9024-T3
 D=Input (输入) 100-240V~, 50-60Hz, 1.5A
 E=Output (输出)24 V 3.75 A ,90.0W

- AGENCY ONLINE DOCUMENTS <http://www.globtek.info/certs/GTM96900P90VV.V/>
- CE EC-Declaration for Medical http://www.globtek.com/pdf/ec_declaration/a0Oa000000MjSZHEA3
- CE EC-Declaration for Industrial/Commercial/ITE http://www.globtek.com/pdf/ec_declaration/a0Oa000000MjSZHEA3
- RoHS/RoHS2 Declaration http://www.globtek.com/pdf/rohs_cert/01t0c000008OO5XAAW
- REACH Declaration http://www.globtek.com/pdf/iso_certificates/REACH.pdf

GlobTek, Inc.
www.globtek.com
186 Veterans Drive,
Northvale, NJ 07647
Tel. (201) 784-1000
Fax (201) 784-0111

Drawing Title: GTM96900P9024-T3, ITE / Medical Power Supply/Class 2/Household Power Supply, Efficiency Level: VI, Case Color/Style: GlobTek Black, Desktop/External, Regulated Switchmode AC-DC Power Supply AC Adaptor, Input Rating: 100-240V~, 50-60Hz, IEC 60320/C14 , Output Rating: 90W, 24V@3.75A, Output Configuration: 1500 mm, 18/1C + Shield Cond, UL 1185, 4 Pin Kycon Locking Plug or Equal, Ferrite: None, GlobTek Black, GT Cord # C20246, Pin Out: PINS 2,4: +V, PINS 1, 3, SHELL: COM (and EARTH GROUND if power supply grounding configuration specifies grounded Common return), Blades/Input Cord: (Order Separately), Approvals: RCM LPS CCC Patent US9838207B2 VCCI EAC IP41 Option cETLus cETLus cETLus CB ETL ETL CB S-Mark CB ETL CB S-Mark CE China RoHS Class I Level VI RoHS Ukraine WEEE PSE PSE

Model No. GTM96900P9024-T3

Part No./Ordering No. TR9CI3750YL4IMR6BLPS

Rev B

Conflict Minerals Declaration

<http://www.globtek.com/pdf/conflict-minerals.pdf>

IPXY rating is based on 3rd party testing and customers should check suitability and test system level IPXY rating before ordering.

Regulatory Certifications/Label Markings

LATEST PRODUCT/MODEL CERTIFICATIONS: <http://en.globtek.com/datasheet/id/a0Oa000000MjSZH>

AGENCY ONLINE DOCUMENTS: <http://www.globtek.info/certs/GTM96900P90VV.V/>

Front View



PINS 2,4: +V, PINS 1, 3, SHELL: COM (and EARTH GROUND if power supply grounding configuration specifies grounded Common return)

GlobTek, Inc.
 www.globtek.com
 186 Veterans Drive,
 Northvale, NJ 07647
 Tel. (201) 784-1000
 Fax (201) 784-0111

Drawing Title: GTM96900P9024-T3, ITE / Medical Power Supply/Class 2/Household Power Supply, Efficiency Level: VI, Case Color/Style: GlobTek Black, Desktop/External, Regulated Switchmode AC-DC Power Supply AC Adaptor, Input Rating: 100-240V~, 50-60Hz, IEC 60320/C14 , Output Rating: 90W, 24V@3.75A, Output Configuration: 1500 mm, 18/1C + Shield Cond, UL 1185, 4 Pin Kycon Locking Plug or Equal, Ferrite: None, GlobTek Black, GT Cord # C20246, Pin Out: PINS 2,4: +V, PINS 1, 3, SHELL: COM (and EARTH GROUND if power supply grounding configuration specifies grounded Common return), Blades/Input Cord: (Order Separately), Approvals: RCM LPS CCC Patent US9838207B2 VCCI EAC IP41 Option cETLus cETLus cETLus CB ETL ETL CB S-Mark CB ETL CB S-Mark CE China RoHS Class I Level VI RoHS Ukraine WEEE PSE PSE

Model No. GTM96900P9024-T3

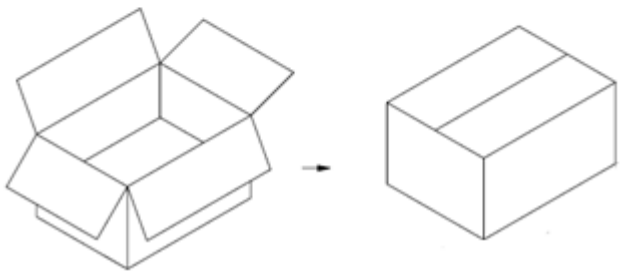
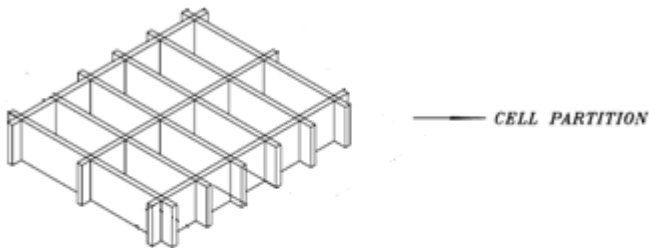
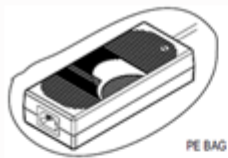
Part No./Ordering No. TR9CI3750YL4IMR6BLPS

Rev B

PACKAGING

Packing Spec P/N: Standard DT, Cellular packaging
 Box Qty: 20
 Gift Box Size (mm): Bulk
 Gift Box Color: None
 Master Carton Size (mm): 427*405*158
 Master GW (Kg): 16.0 kg
 BLADES INCLUDED: None:
 BLADE/CORD INSTALLED: None:

If specific packaging is required, this section must specify all requirements and note "no exceptions". If this section does not specify packaging, it is subject to change without notice at GlobTek's discretion.



GlobTek, Inc.
www.globtek.com
186 Veterans Drive,
Northvale, NJ 07647
Tel. (201) 784-1000
Fax (201) 784-0111

Drawing Title: GTM96900P9024-T3, ITE / Medical Power Supply/Class 2/Household Power Supply, Efficiency Level: VI,
Case Color/Style: GlobTek Black, Desktop/External, Regulated Switchmode AC-DC Power Supply AC Adaptor, Input Rating:
100-240V~, 50-60Hz, IEC 60320/C14 , Output Rating: 90W, 24V@3.75A, Output Configuration: 1500 mm, 18/1C + Shield
Cond, UL 1185, 4 Pin Kycon Locking Plug or Equal, Ferrite: None, GlobTek Black, GT Cord # C20246, Pin Out: PINS 2,4: +V,
PINS 1, 3, SHELL: COM (and EARTH GROUND if power supply grounding configuration specifies grounded Common return),
Blades/Input Cord: (Order Separately), Approvals: RCM LPS CCC Patent US9838207B2 VCCI EAC IP41 Option cETLus
cETLus cETLus CB ETL ETL CB S-Mark CB ETL CB S-Mark CE China RoHS Class I Level VI RoHS Ukraine WEEE PSE
PSE PSE

Model No. GTM96900P9024-T3

Part No./Ordering No. TR9CI3750YL4IMR6BLPS

Rev B

INSTRUCTION SHEET

N/A