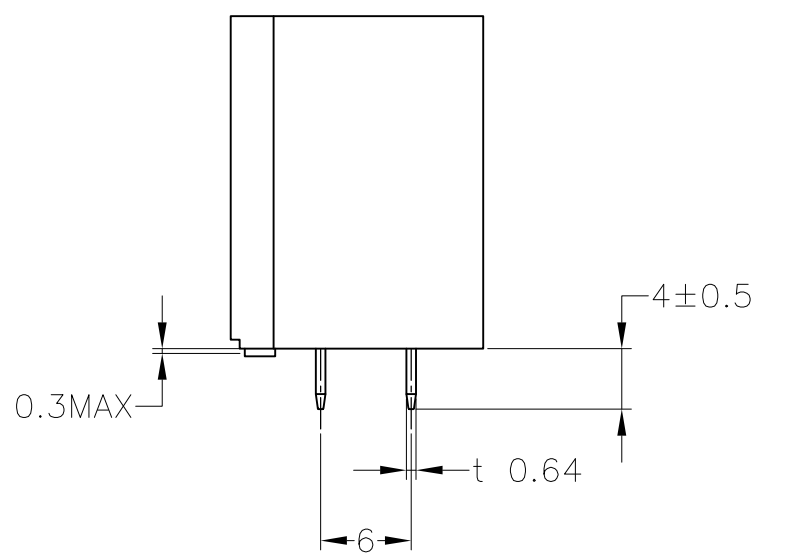
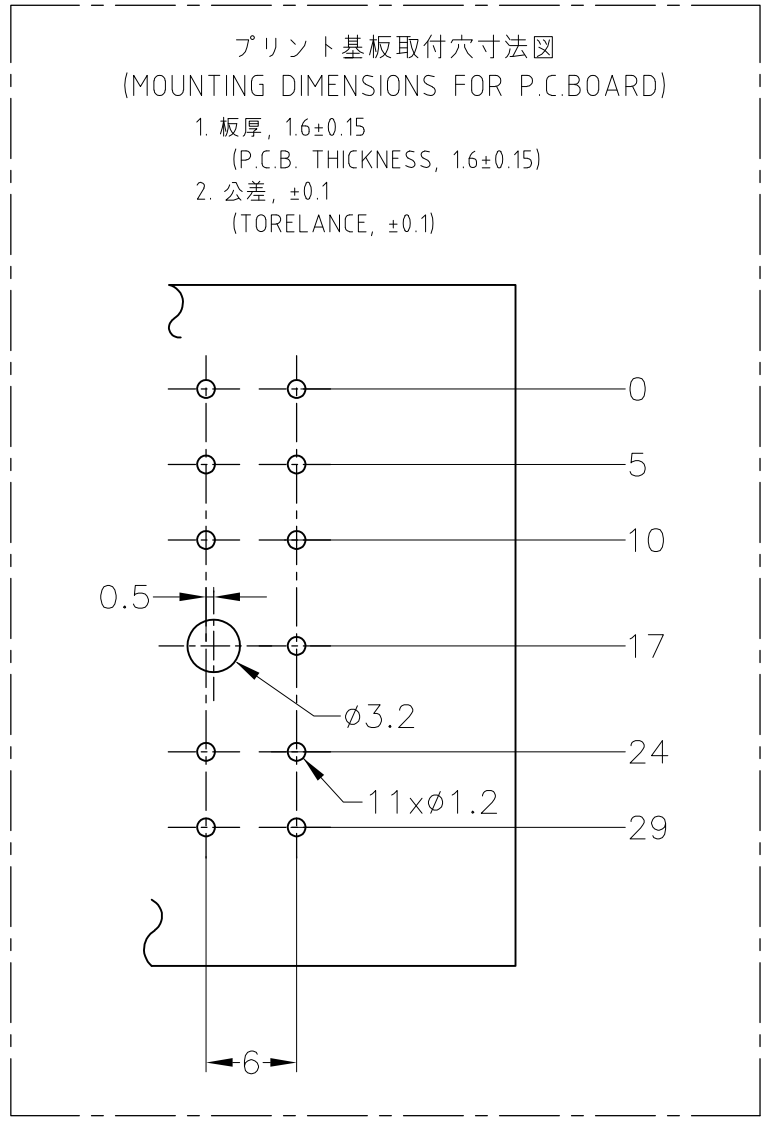
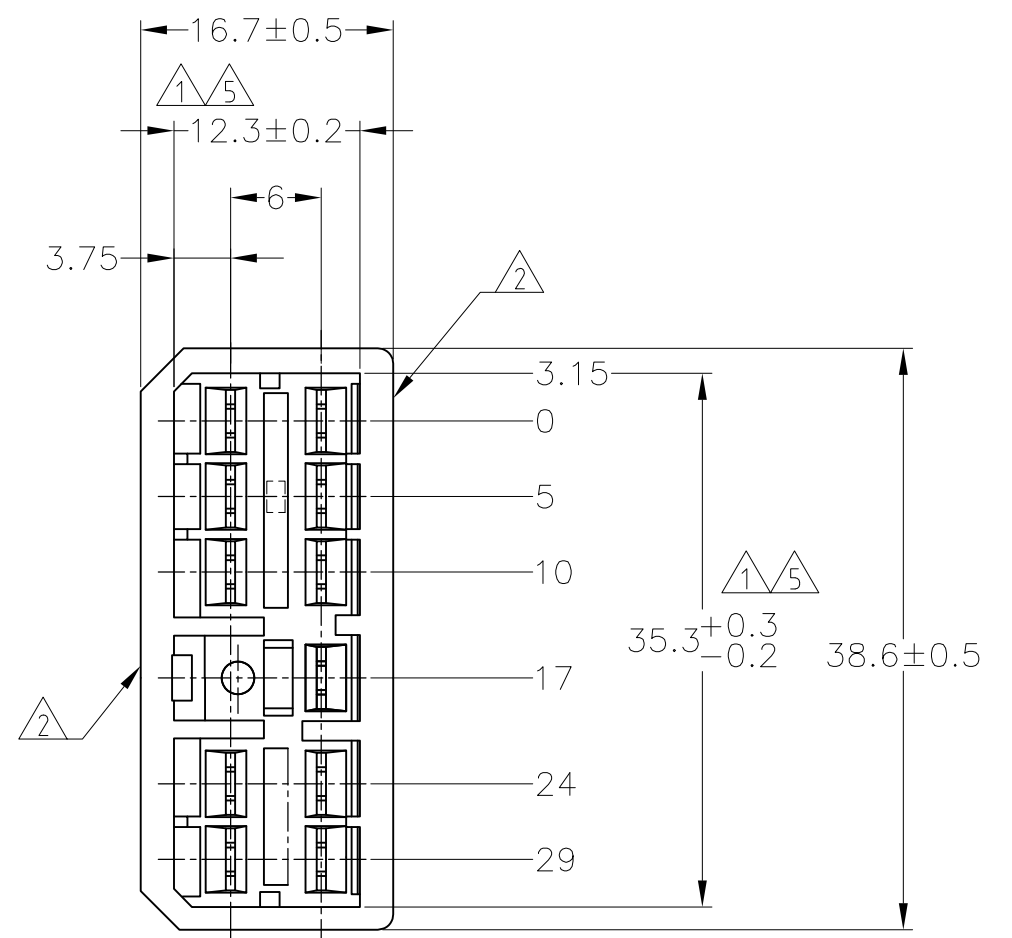
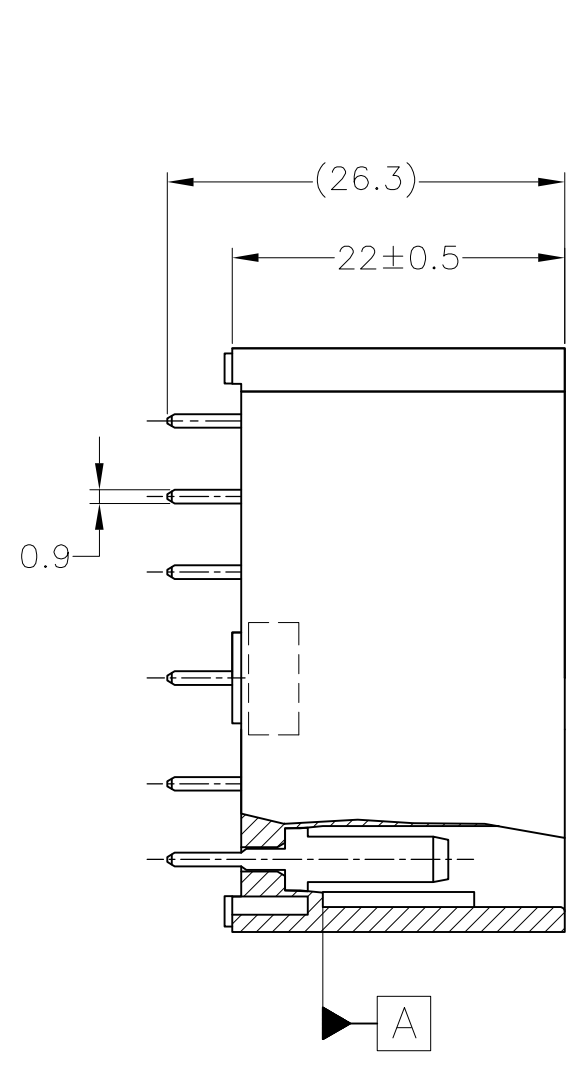


REVISIONS					
P	LTR	DESCRIPTION	DATE	DWN	APVD
F4		OBSOLETE 1--1	ECR-16-003004	01APR2016	KF RK



- ① 相手ハウジングと所定の機能を満たして嵌合できること。
- ② フードの反りは0.2以内。
- ③ 推奨取付ねじ: JIS B 1115 又は、1122 タッピンねじ
なべ1種, 呼び径3を使用し、締め付け後半田付けする。
(締め付けトルク: 0.4N-m 以下)
- ④ 適用製品規格: 108-5093
- ⑤ [A] 面より2mmの範囲で測定。
- ⑥ 相手ハウジングとの嵌合力は、29.4N以下。
但し、リセプタクル コンタクトは含まない。

- ① IN COUPLING WITH THE PLUG HOUSING MATING SATISFIES FUNCTION.
- ② WARPAGE 0.2 MAX.
- ③ RECOMMENDED MOUNTING SCREW: 3mm DIA,
PAN HEAD, CLASS 1 TAPPING SCREW SPECIFIED IN JIS
B1115, B1122 (TORQUE; 0.4N-m MAX.)
- ④ PRODUCT SPECIFICATION: 108-5093
- ⑤ TO BE MEASURED WITHIN 2mm FROM [A]
- ⑥ IN COUPLING WITH THE PLUG HOUSING MATING FORCE
29.4N MAX. WITHOUT RECEPTACLE CONTACTS.

SELECTIVE-TIN (MATTE)	SELECTIVE GOLD	NATURAL	1-5172034-1	
SEE CUSTOMER DRAWING 8-172034-1			8-172034-1	
	PRE-TIN	NATURAL	5-172034-4	
	PRE-TIN	NATURAL	4-172034-1	
OBSOLETE	TIN-LEAD	SELECTIVE GOLD	GREEN	2-172034-4
OBSOLETE	TIN-LEAD	SELECTIVE GOLD	NATURAL	2-172034-1
OBSOLETE	TIN-LEAD	SELECTIVE GOLD	GREEN	1-172034-4
OBSOLETE	TIN-LEAD	SELECTIVE GOLD	NATURAL	1-172034-1
	PRE-TIN	YELLOW	172034-7	
	PRE-TIN	GRAY	172034-6	
	PRE-TIN	BLUE	172034-5	
OBSOLETE	PRE-TIN	GREEN	172034-4	
	PRE-TIN	BROWN	172034-3	
	PRE-TIN	BLACK	172034-2	
	PRE-TIN	NATURAL	172034-1	
SOLDERING SIDE 半田付け部	CONTACT SIDE 接触部側	COLOR 色	PART NUMBER 製品型番	
CONTACT FINISH コンタクト仕上				

TOLERANCE UNLESS OTHERWISE SPECIFIED:
一般公差

0 < x ≤ 10 : ±0.2
10 < x ≤ 30 : ±0.25
30 < x ≤ 100 : ±0.3
ANGLE : ±3°
角度

THIS DRAWING IS A CONTROLLED DOCUMENT.

DIMENSIONS: mm

TOLERANCES UNLESS OTHERWISE SPECIFIED:

0 PLC	±
1 PLC	±
2 PLC	±
3 PLC	±
4 PLC	±
ANGLES	±

MATERIAL: HOUSING: 66NYLON
TAB CONTACT: BRASS

FINISH: SEE TABLE

TE Connectivity

MULTI-INTERLOCK CONNECTOR
11P VERTICAL TYPE CAP HOUSING ASSEMBLY

NAME: A.TOMITA

SIZE: A2 CAGE CODE: 00779 DRAWING NO: C=172034

RESTRICTED TO: -

SCALE: 2:1 SHEET: 1 OF 1 REV: F4