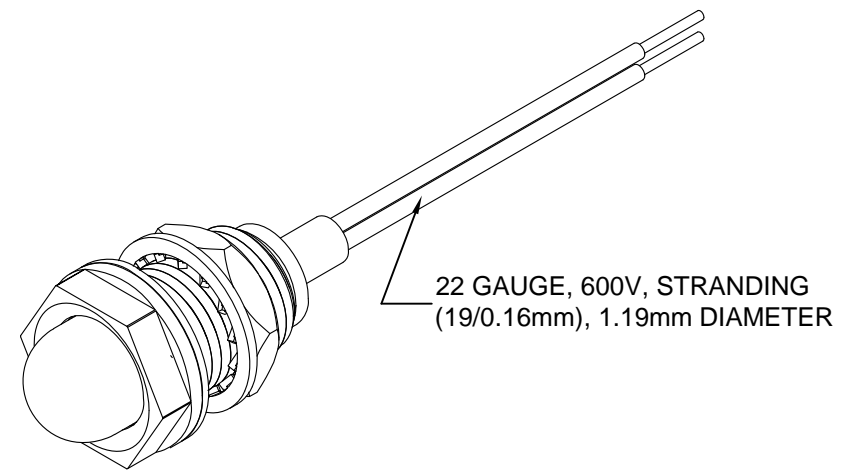
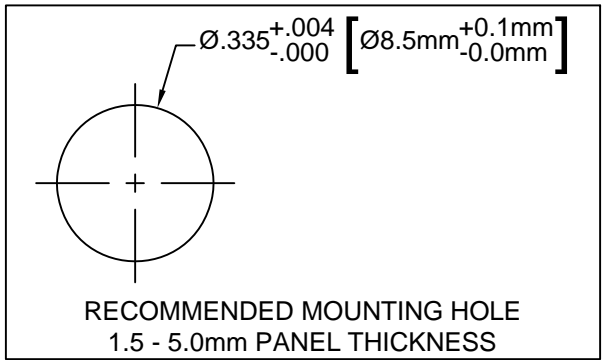
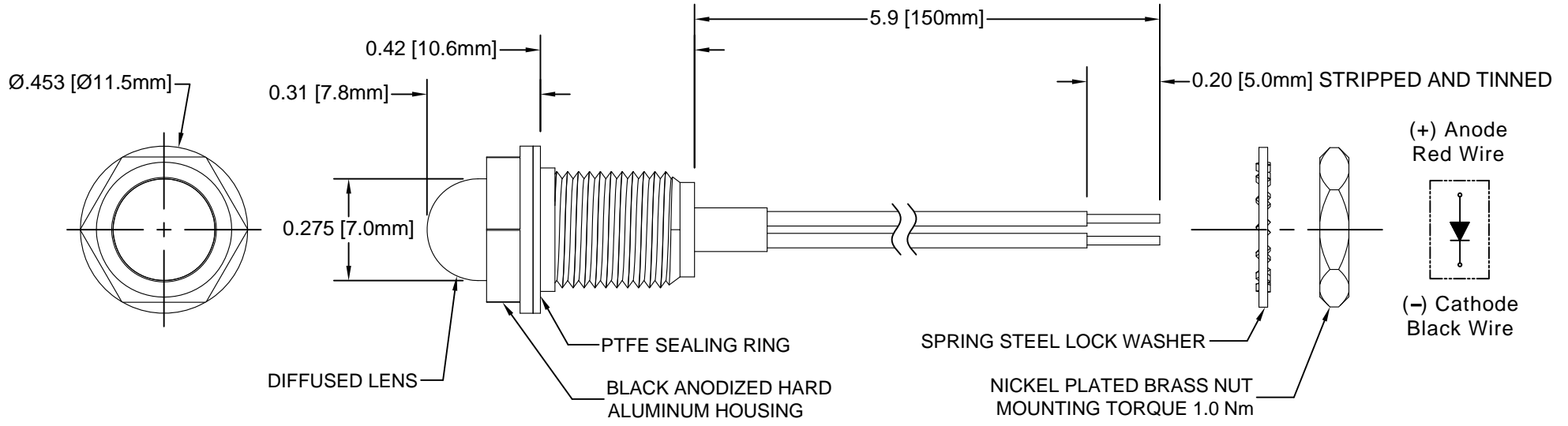


REV.	DESCRIPTION	DATE	APPROVED
B	Engineering Release	07/28/11	T. Y.
C	Added Wire Specs	02/13/13	T. Y.
D	Engineering Update w/o Changes	08/11/16	J. C.



- NOTES:**
1. SEALED TO IP68 RATING
  2. HEXAGON BEZEL
  3. ROHS COMPLIANT
  4. MOUNTING HARDWARE SHIPPED NON-ASSEMBLED
  5. INSERT PTFE RING ON PANEL MOUNT ASSEMBLY PRIOR TO PANEL INSTALLATION

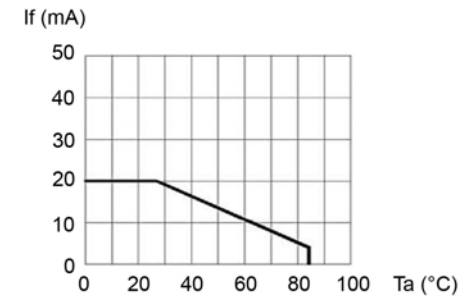
STANDARD TOLERANCE (UNLESS OTHERWISE SPECIFIED)		 4 THOMAS, IRVINE, CA. 92618 TEL: (949) 951-8808 FAX: (949) 951-3974	
DECIMALS	ANGULAR		
.X ± .1	X° ± 1°	 <b>TITLE:</b> WATER TIGHT PANEL MOUNT LED ASSEMBLY, 8.5MM MOUNTING	<b>REVISION:</b> D
.XX ± .02			
.XXX ± .010		<b>PART NO:</b> PM5-AP7XXX	<b>SHEET #</b> 1 OF 2
DESIGNED: <b>R. Paje</b>	DATE: <b>02/23/11</b>	<b>CAGE CODE :</b> 32559	
CHECKED: <b>T. Yin</b>	DATE: <b>02/23/11</b>	<b>SHEET #</b> 1 OF 2 CAD GENERATED DOCUMENT. DO NOT MEASURE DRAWING.	

REV.	DESCRIPTION	DATE	APPROVED
	SEE SHEET #1		

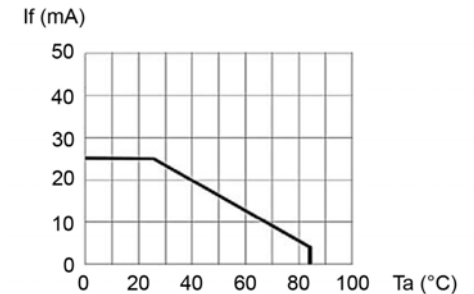
Part Number	Peak Wave Length $\lambda_p$ (nm)	Emitted Color	Lens Appearance	Electro-Optical Data @ 20mA		Viewing Angle
				Vf (VDC)	Iv (mcd)	
				TYP	TYP	
PM5-AP7R2.0V	630	RED	RED DIFFUSED	2.0	600	160
PM5-AP7Y2.0V	585	YELLOW	YELLOW DIFFUSED	2.0	600	160
PM5-AP7G3.4V	515	GREEN	GREEN DIFFUSED	3.4	800	160
PM5-AP7B3.4V	465	BLUE	BLUE DIFFUSED	3.4	400	160

Part Number	Chromaticity Coordinates	Emitted Color	Lens Appearance	Electro-Optical Data @ 20mA		Viewing Angle
				Vf (VDC)	Iv (mcd)	
				TYP	TYP	
PM5-AP7W3.4V	X=0.31, Y=0.32	WHITE	WHITE DIFFUSED	3.4	1200	160

### DERATING CURVES




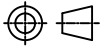
EMITTED COLORS: RED/YELLOW



EMITTED COLORS: GREEN/BLUE/WHITE

## ABSOLUTE MAXIMUM RATINGS (Ta = 25°C)

MAXIMUM REVERSE VOLTAGE \_\_\_\_\_ 3V  
 MAXIMUM POWER DISSIPATION \_\_\_\_\_ 75 mW  
 OPERATING TEMPERATURE RANGE \_\_\_\_\_ -40°C ~ 95°C  
 STORAGE TEMPERATURE \_\_\_\_\_ -40°C ~ 100°C

STANDARD TOLERANCE (UNLESS OTHERWISE SPECIFIED) DECIMALS      ANGULAR		 4 THOMAS, IRVINE, CA. 92618 TEL: (949) 951-8808    FAX: (949) 951-3974	
			
DESIGNED: <b>R. Paje</b>	DATE: <b>02/23/11</b>	<b>PART NO:</b> PM5-AP7XXX	REVISION: <b>D</b>
CHECKED: <b>T. Yin</b>	DATE: <b>02/23/11</b>	<b>CAGE CODE :</b> 32559	<b>SHEET # 2 OF 2</b>
CAD GENERATED DOCUMENT. DO NOT MEASURE DRAWING.			