

THIS DRAWING IS UNPUBLISHED. RELEASED FOR PUBLICATION
 © COPYRIGHT - By - ALL RIGHTS RESERVED.

LOC		DIST		REVISIONS			
P	LTR	DESCRIPTION	DATE	DWN	APVD		
	T4	REVISED PER ECO-11-004587	11MAR11	RK	HMR		

PHYSICAL PROPERTIES:
 HOUSING MATERIAL: PBT
 FLAMMABILITY: UL94V-0
 COLOR: BLACK
 MAX BOW/WARP: .0056 IN/IN.

MECHANICAL:
 PITCH (TERMINAL SPACING): .563"
 WIRE RANGE: 10-22 AWG
 RECOMMENDED TIGHTENING TORQUE: 14IN-LBS MAX.

TERMINAL:
 TERMINALS: BRASS, TIN PLATED. (UNLESS OTHERWISE STATED)
 SCREWS: 8-32 STEEL, NICKEL PLATED. (UNLESS OTHERWISE STATED)
 Q.C. TABS: BRASS, NICKEL PLATED.

ELECTRICAL PROPERTIES:
 MAXIMUM CURRENT: 30A
 OPERATING VOLTAGE: 300V

ENVIRONMENTAL PROPERTIES:
 OPERATING TEMP RANGE: -40°C TO 120°C

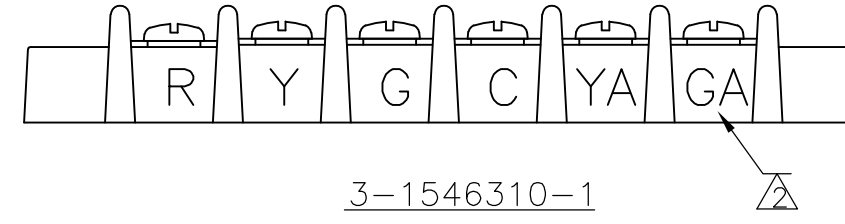
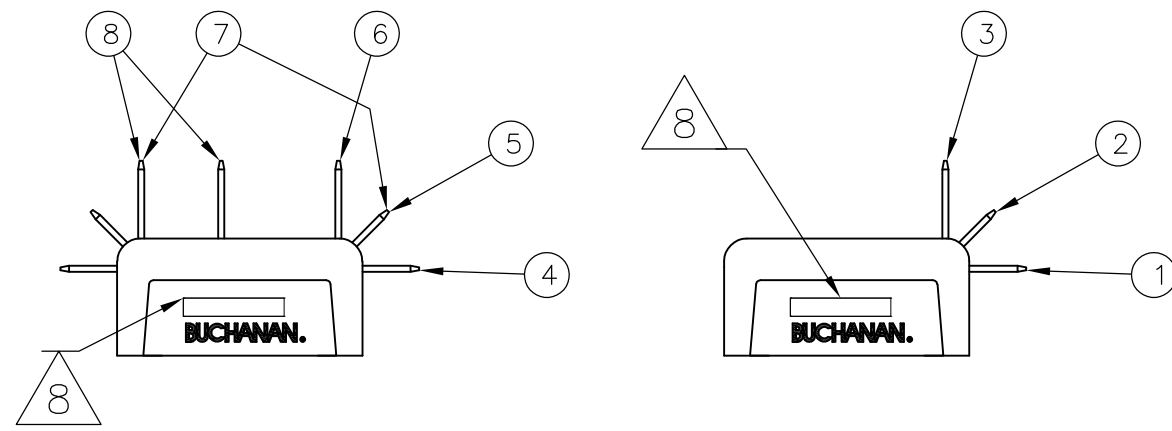
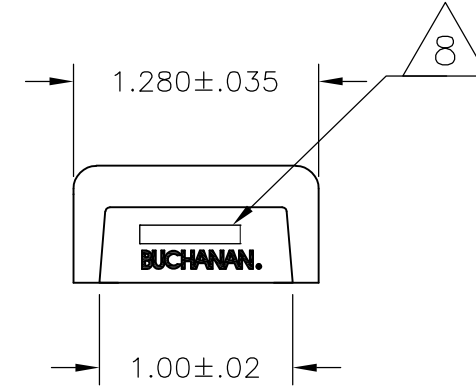
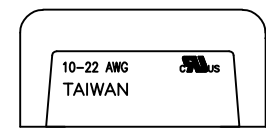
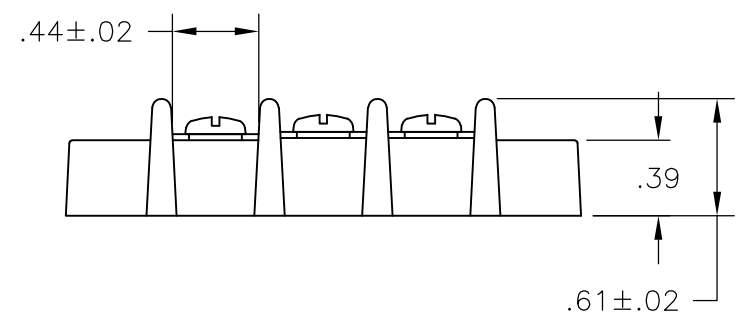
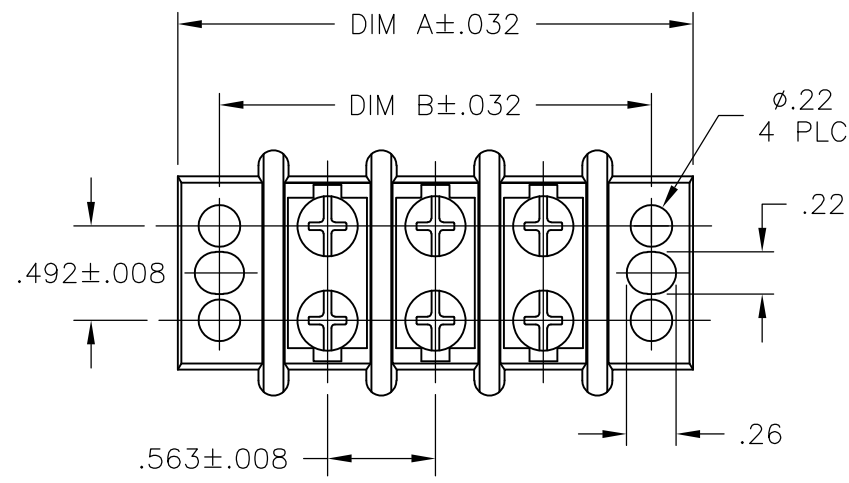
- △ STAINLESS STEEL SCREWS.
- △ WHITE INK STAMP.
- △ NICKEL PLATED BRASS TERMINALS.
- △ NICKEL PLATED BRASS SCREWS.
- △ SEE FIGURE.
- △ PRELIMINARY PART NUMBER.
- △ OBSOLETE PART NUMBER.
- △ TE CONNECTIVITY LOGO LOCATED APPROXIMATE AREA SHOWN.

△5	-	-	-	-	-	-	-	-	-	-	7.886	8.323	13	1-1546310-3
△2	-	-	-	-	-	-	-	12	12	12	7.323	7.760	12	4-1546310-8
△6	-	8	-	-	-	12	12	12	-	-	7.323	7.760	12	4-1546310-7
	-	-	-	-	12	12	12	-	-	-	7.323	7.760	12	4-1546310-6
	-	-	-	-	-	-	-	-	-	-	7.323	7.760	12	1-1546310-2
	-	-	-	-	-	-	-	-	-	-	6.760	7.179	11	1-1546310-1
	-	-	-	-	-	-	-	-	-	-	6.197	6.634	10	1-1546310-0
	-	-	-	-	-	-	-	-	-	-	5.634	6.071	9	1546310-9
△4	-	-	-	-	-	-	-	-	-	8	5.071	5.508	8	4-1546310-5
	-	8	8	-	-	-	-	-	-	-	5.071	5.508	8	2-1546310-9
	-	-	-	-	-	-	-	-	-	-	5.071	5.508	8	1546310-8
	-	-	-	-	-	7	-	-	-	-	4.508	4.945	7	3-1546310-8
	-	-	-	-	-	-	-	-	-	-	4.508	4.945	7	1546310-7
△4	-	-	-	-	-	-	-	-	-	6	3.945	4.382	6	4-1546310-4
△4	-	-	-	-	-	-	-	-	-	-	3.945	4.382	6	4-1546310-3
	-	-	-	-	-	-	-	-	-	6	3.945	4.382	6	4-1546310-2
△5	-	-	-	-	-	-	-	-	-	-	3.945	4.382	6	3-1546310-1
	-	-	-	-	-	6	-	-	-	-	3.945	4.382	6	3-1546310-0
	-	6	6	-	-	-	-	-	-	-	3.945	4.382	6	2-1546310-8
△6	-	1	1	-	-	5	1	-	-	-	3.945	4.382	6	2-1546310-6
△6	-	-	-	-	-	-	-	6	-	-	3.945	4.382	6	2-1546310-3
△6	-	-	-	-	6	-	-	-	-	-	3.945	4.382	6	2-1546310-2
△6	-	-	-	-	-	-	-	-	6	6	3.945	4.382	6	2-1546310-1
△6	-	-	-	-	-	-	-	-	6	6	3.945	4.382	6	1546636-1
△6	-	-	-	6	-	-	-	-	6	-	3.945	4.382	6	1-1546310-9
△1	-	-	-	6	-	-	-	-	-	-	3.945	4.382	6	1546589-1
	-	-	-	-	-	-	-	-	-	-	3.945	4.382	6	1546310-6
	-	-	-	-	-	5	-	-	-	-	3.382	3.819	5	3-1546310-7
△6	-	1	1	-	-	-	1	-	5	-	3.382	3.819	5	2-1546310-7
	-	-	-	-	-	-	-	-	-	-	3.382	3.819	5	1546310-5
△2	-	-	-	-	-	-	-	4	4	4	2.819	3.256	4	5-1546310-0
△5	-	-	-	-	-	-	-	-	-	-	2.819	3.256	4	4-1546310-1
△7	-	-	-	-	-	-	-	-	-	-	2.819	3.256	4	4-1546310-0
△5	-	-	-	-	-	-	-	-	-	-	2.819	3.256	4	3-1546310-9
	-	-	-	-	-	-	-	-	-	-	2.819	3.256	4	1546310-4
△6	-	-	-	-	-	-	-	-	-	-	2.256	2.693	3	2-1546310-5
△6	-	-	-	-	-	-	-	3	1	-	2.256	2.693	3	2-1546310-4
△6	-	-	1	2	-	-	-	1	-	-	2.256	2.693	3	2-1546310-0
	-	-	-	-	-	-	-	-	-	-	2.256	2.693	3	1546310-3
	-	-	-	-	-	-	2	-	2	-	1.693	2.130	2	5-1546310-1
	-	-	-	-	-	-	-	-	-	-	1.693	2.130	2	1546310-2

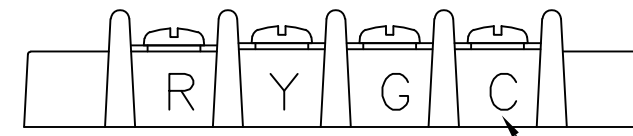
NOTES	9 OTB JUMPER	8 .250 QC TAB 90° DOUBLE SIDE	7 .250 QC TAB 90°/45° DOUBLE SIDE	6 .250 QC TAB 90° DOUBLE SIDE	5 .250 QC TAB 45° DOUBLE SIDE	4 .250 QC TAB STRAIGHT DOUBLE SIDE	3 .250 QC TAB 90° SINGLE SIDE	2 .250 QC TAB 45° SINGLE SIDE	1 .250 QC TAB STRAIGHT SINGLE SIDE	DIM B	DIM A	NO. OF POSN	PART NUMBER
THIS DRAWING IS A CONTROLLED DOCUMENT.										DWN 16FEB2007 S SCHLEGEL			
DIMENSIONS: INCHES										CHK 2/16/07 S YODER			
TOLERANCES UNLESS OTHERWISE SPECIFIED:										APVD 2/16/07 S YODER			
0 PLC ± -										PRODUCT SPEC			
1 PLC ± -										APPLICATION SPEC			
2 PLC ± -										WEIGHT -			
3 PLC ± -										SIZE A2			
4 PLC ± -										CAGE CODE 00779			
ANGLES ± -										DRAWING NO C=1546310			
FINISH -										RESTRICTED TO -			
MATERIAL -										SCALE NTS			
CUSTOMER DRAWING										SHEET 1 of 4			
										REV T4			

THIS DRAWING IS UNPUBLISHED. RELEASED FOR PUBLICATION
 © COPYRIGHT - By - ALL RIGHTS RESERVED.

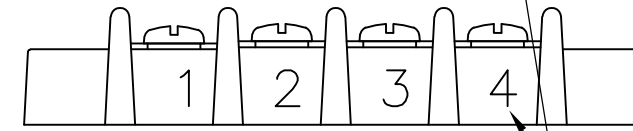
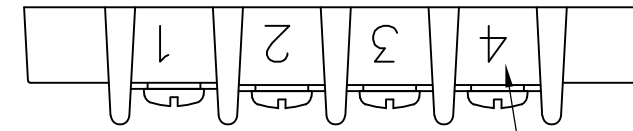
LOC		DIST		REVISIONS			
P	LTR	DESCRIPTION	DATE	DWN	APVD		
FT	0	SEE SHEET 1	-	-	-		



3-1546310-1



3-1546310-9



4-1546310-1
 4-1546310-8
 4-1546310-9

2	-	-	-	-	-	-	2	-	2	-	1.693	2.130	-	5-1546310-1								
-	-	-	-	-	-	-	-	-	-	-	10.701	11.138	18	1-1546310-8								
-	-	-	-	-	-	-	-	-	-	-	10.138	10.575	17	1-1546310-7								
-	-	-	-	-	-	-	-	-	-	-	9.575	10.012	16	1-1546310-6								
-	-	-	-	-	-	-	-	-	-	-	9.012	9.449	15	1-1546310-5								
2/6	-	-	-	-	-	-	-	14	14	14	8.449	8.886	14	4-1546310-9								
-	-	-	-	-	-	-	-	-	-	-	8.449	8.886	14	1-1546310-4								
NOTES	9	OTB JUMPER	8	.250 QC TAB 90° DOUBLE SIDE	7	.250 QC TAB 90°/45° DOUBLE SIDE	6	.250 QC TAB 90° DOUBLE SIDE	5	.250 QC TAB 45° DOUBLE SIDE	4	.250 QC TAB STRAIGHT DOUBLE SIDE	3	.250 QC TAB 90° SINGLE SIDE	2	.250 QC TAB 45° SINGLE SIDE	1	.250 QC TAB STRAIGHT SINGLE SIDE	DIM B	DIM A	NO. OF POSN	PART NUMBER

THIS DRAWING IS A CONTROLLED DOCUMENT.

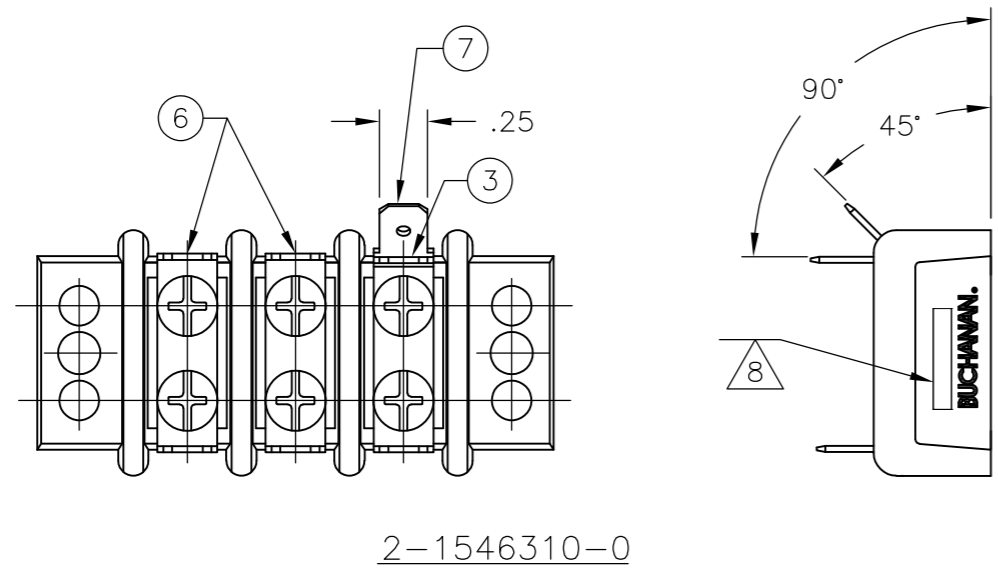
DWN: S SCHLEGEL 16FEB2007
 CHK: S YODER 2/16/07
 APVD: S YODER 2/16/07
 PRODUCT SPEC: S YODER
 APPLICATION SPEC: -

TE Connectivity
 14.3 (.563) DBL ROW BARRIER STRIP
 W/O WASHER

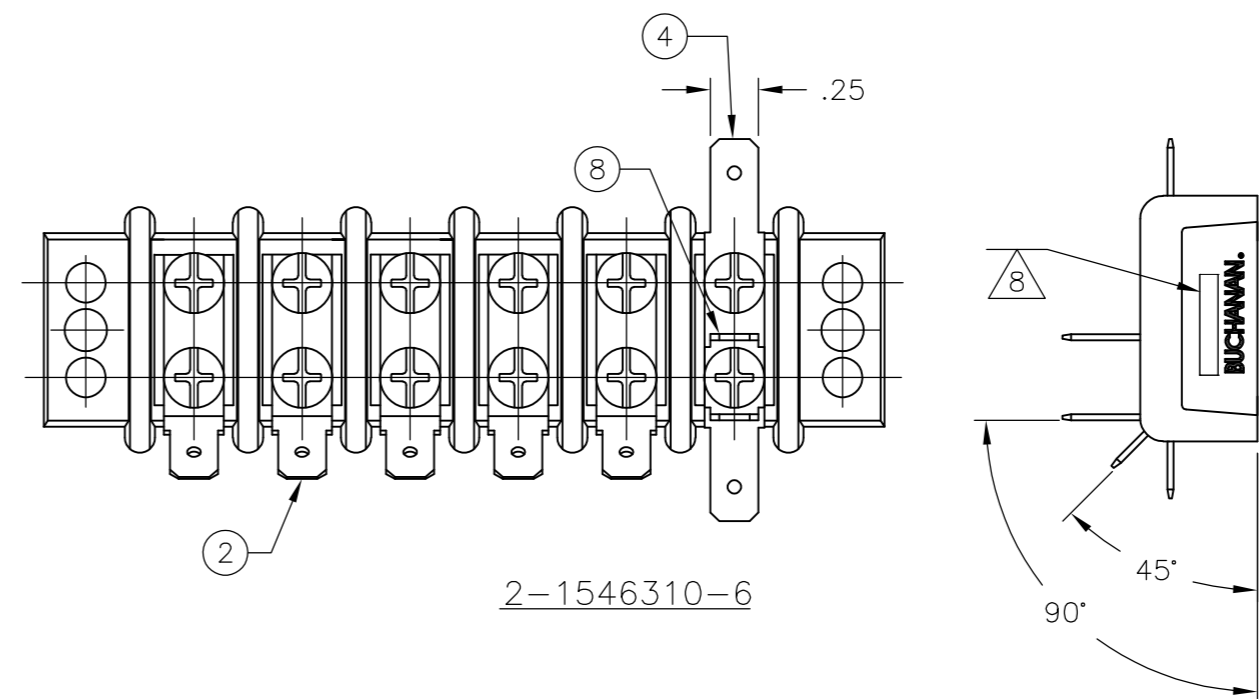
SCALE: A2 00779 C=1546310
 SHEET: 2 of 4
 REV: T4

THIS DRAWING IS UNPUBLISHED. RELEASED FOR PUBLICATION
 © COPYRIGHT - By - ALL RIGHTS RESERVED.

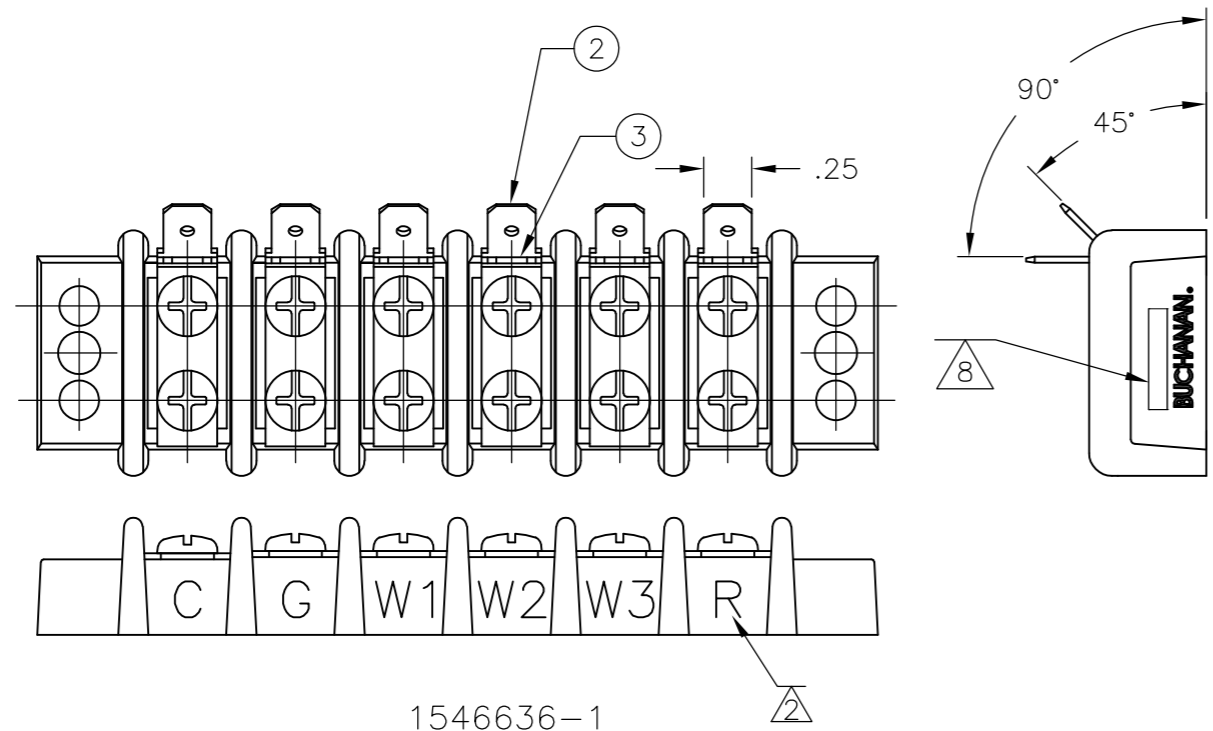
LOC		DIST		REVISIONS			
P	LTR	DESCRIPTION	DATE	DWN	APVD		
FT	0						
SEE SHEET 1							



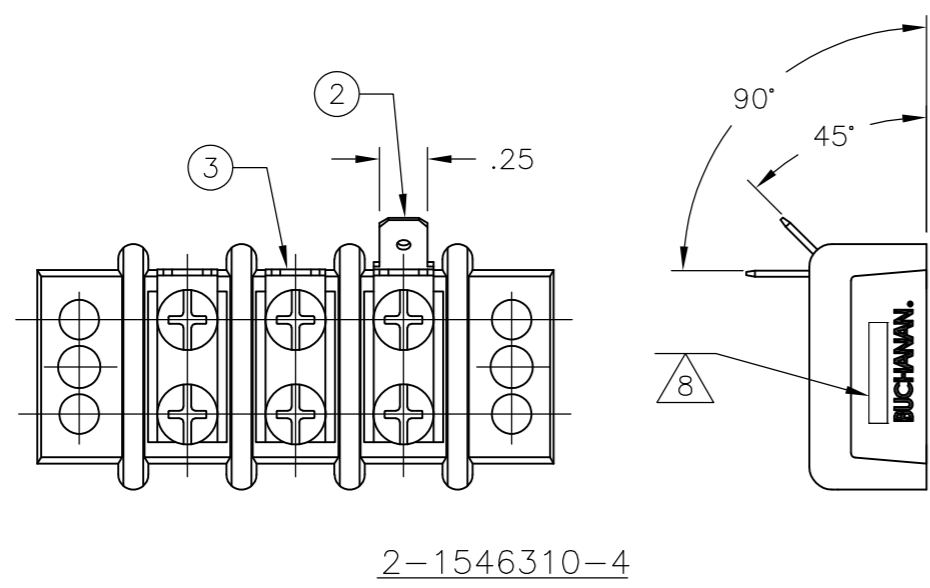
2-1546310-0



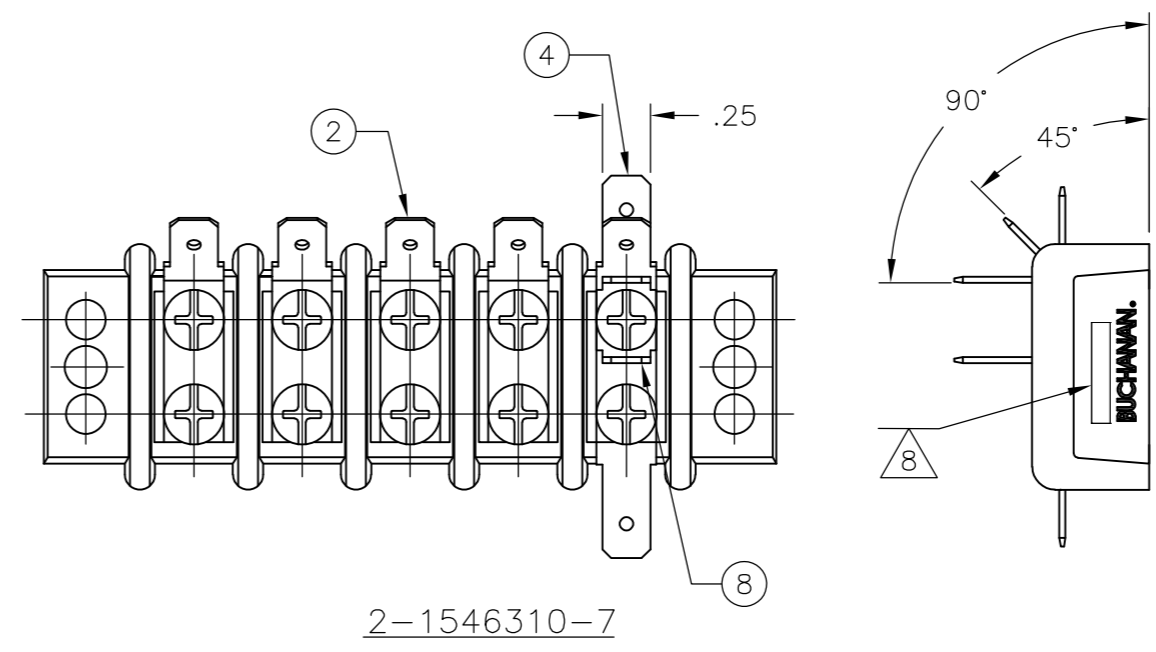
2-1546310-6



1546636-1



2-1546310-4



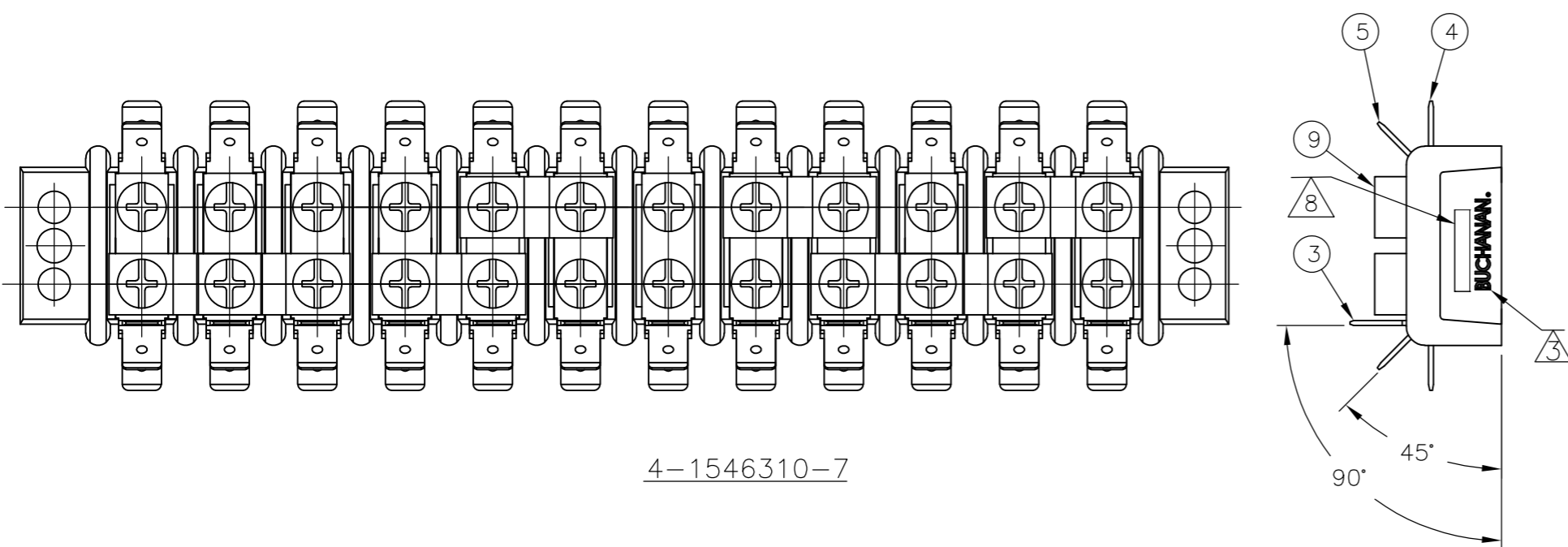
2-1546310-7

THIS DRAWING IS A CONTROLLED DOCUMENT.		DWN S SCHLEGEL 16FEB2007	STE TE Connectivity	
DIMENSIONS: INCHES		CHK S YODER 2/16/07		
TOLERANCES UNLESS OTHERWISE SPECIFIED:		APVD S YODER 2/16/07	NAME 14.3 (.563) DBL ROW BARRIER STRIP W/O WASHER	
0 PLC ± -		PRODUCT SPEC	SIZE A2	CAGE CODE 00779
1 PLC ± -		APPLICATION SPEC	DRAWING NO C=1546310	RESTRICTED TO
2 PLC ± -			SCALE NTS	SHEET 3 of 4
3 PLC ± -			REV T4	
4 PLC ± -				
ANGLES ± -				
FINISH				
MATERIAL		WEIGHT	CUSTOMER DRAWING	

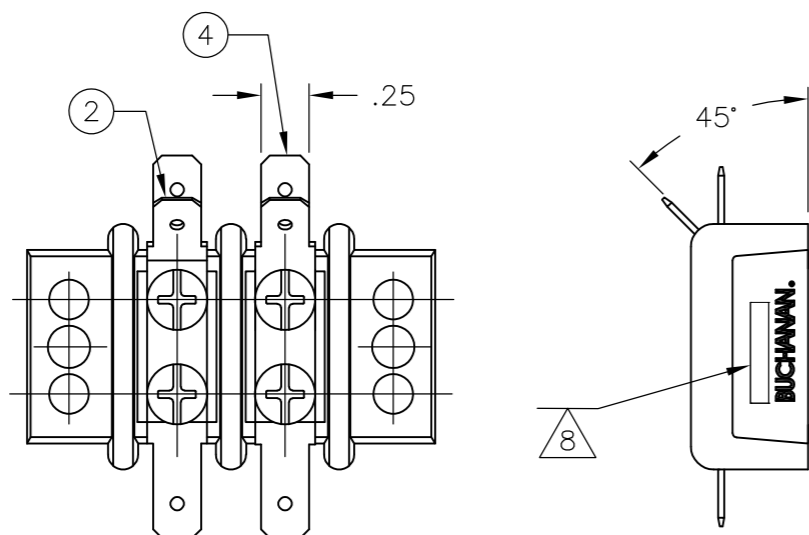
1546310

THIS DRAWING IS UNPUBLISHED. RELEASED FOR PUBLICATION
 © COPYRIGHT - By - ALL RIGHTS RESERVED.

LOC	DIST	REVISIONS					
FT	0	P	LTR	DESCRIPTION	DATE	DWN	APVD
		-	-	SEE SHEET 1	-	-	-



4-1546310-7



5-1546310-1

THIS DRAWING IS A CONTROLLED DOCUMENT.		DWN	16FEB2007		TE TE Connectivity
DIMENSIONS: INCHES		CHK	S SCHLEGEL 2/16/07		
		TOLERANCES UNLESS OTHERWISE SPECIFIED:			
		0 PLC ± - 1 PLC ± - 2 PLC ± - 3 PLC ± - 4 PLC ± - ANGLES ± -			
MATERIAL	FINISH	APVD	S YODER 2/16/07		NAME
-	-	PRODUCT SPEC		14.3 (.563) DBL ROW BARRIER STRIP W/O WASHER	
		APPLICATION SPEC		SIZE	RESTRICTED TO
		WEIGHT		A2	-
CUSTOMER DRAWING		SCALE		00779	DRAWING NO
		NTS		C=1546310	1546310
		SHEET		4	REV
		4 OF 4		T4	