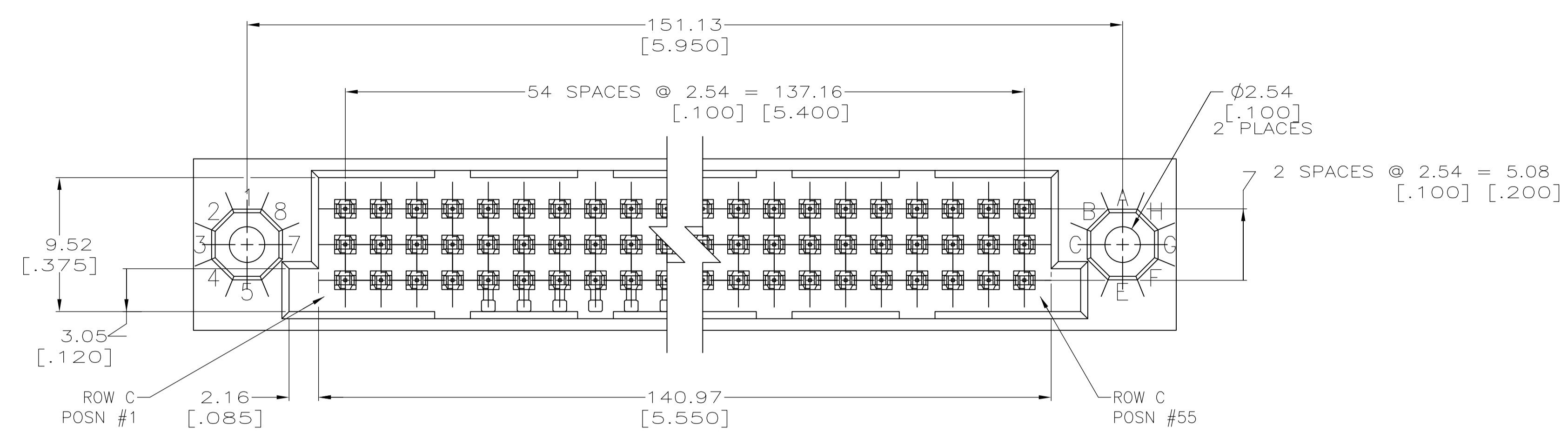
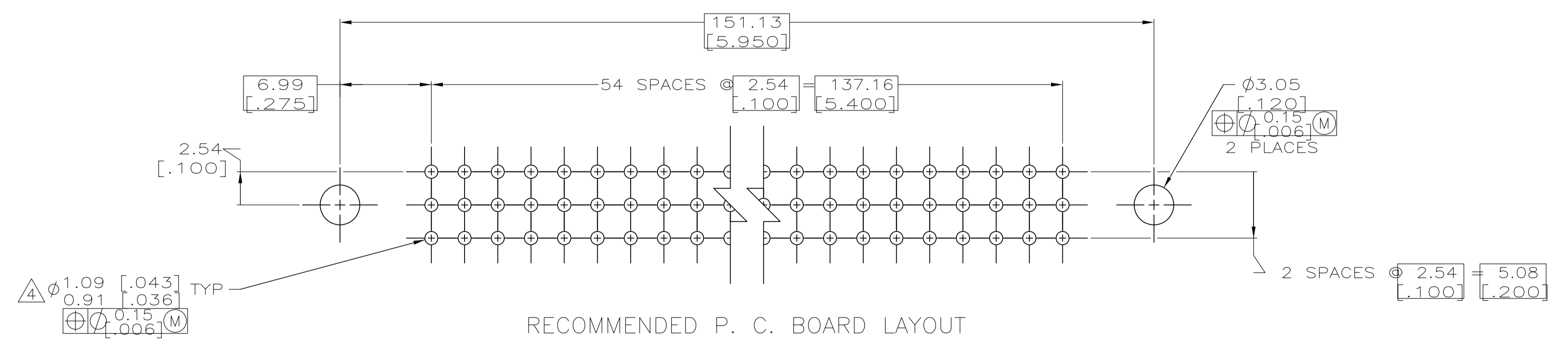
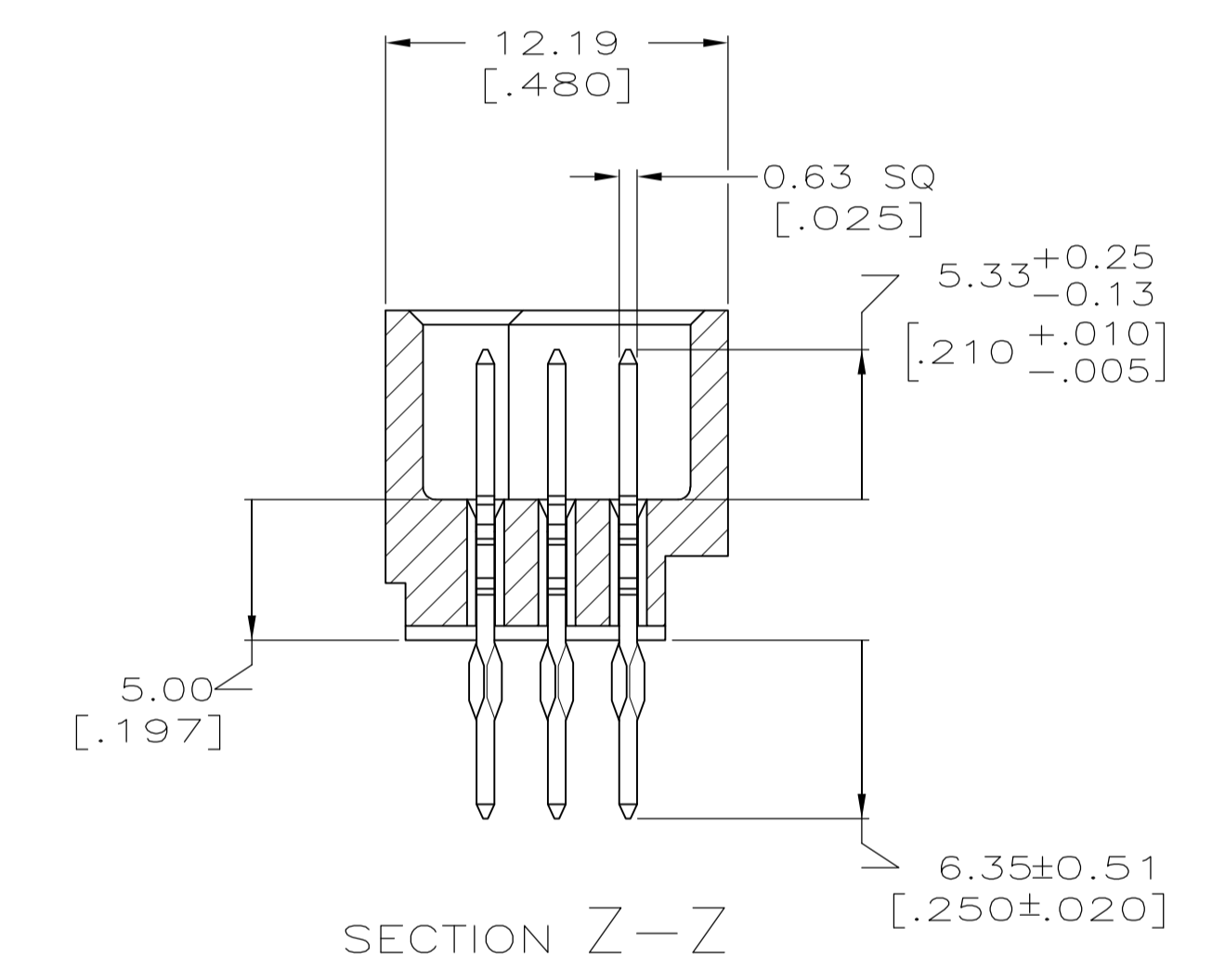
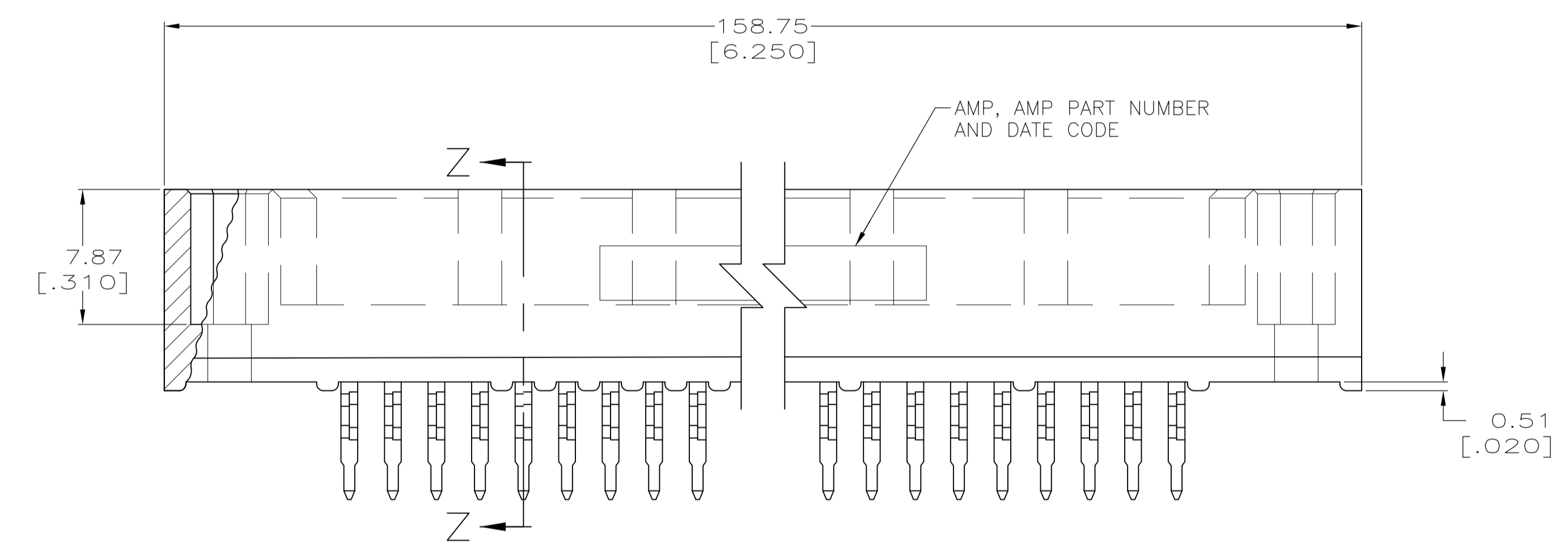


REVISIONS				
P	LTR	DESCRIPTION	DATE	BY
C		REVISED PER ECO-15-015252	13NOV15	BJ



- △ HOUSING MATERIAL: THERMOPLASTIC, BLACK.
- △ HOUSING MATERIAL: THERMOPLASTIC, COLOR-NATURAL.
- △ FINISH:
  - MATING AREA: MEETS THE PERFORMANCE REQUIREMENTS OF PRODUCT SPECIFICATION 108-9063; BASED ON TELCORDIA DR-1217-CORE APPLICATIONS IN UNCONTROLLED ENVIRONMENTS.
  - SOLDER TAILS AREA: TIN-LEAD PLATED.
- △ ACTION PIN POSTS REQUIRE 2.36 [0.093] MIN THICK P.C. BOARD. RECOMMENDED P.C. BOARD HOLES ARE 1.151 [0.0453] DIA PLATED THRU WITH 0.025-0.076 [0.001-0.003] COPPER, WITH 0.0076 [0.0003] MIN TIN-LEAD PLATING; FINISHED HOLE AFTER PLATING 0.94-1.09 [0.037-0.043] DIA.



NUMBER	A	X	X	X	X	X	X	X	X	X	X	X	X	X	X	X	X	X	X	X	X	X	X	X	X	X	X	X	X	X	X	X	X	X	X	X	X	X	X	A	LETTER
END		X	X	X	X	X	X	X	X	X	X	X	X	X	X	X	X	X	X	X	X	X	X	X	X	X	X	X	X	X	X	X	X	X	X	X	X	B	END		
ROW	1																																					C			

CONTACT LOADING CHART - X INDICATES LOADED CAVITY

650841-1  
PART NUMBER

THIS DRAWING IS A CONTROLLED DOCUMENT.		DIN T. SHUEY 3-9-95	<b>STE</b> TE Connectivity	
DIMENSIONS: mm (INCHES)		CHK G. SKIPPER 3-10-95	NAME PIN ASSEMBLY, HDI, 3 ROW, 165 POSITION SELECT LOADED, W/.250 ACTION PIN POSTS	
TOLERANCES UNLESS OTHERWISE SPECIFIED:		APVD G. SKIPPER 3-10-95	RESTRICTED TO	
0 PLC ± -		PRODUCT SPEC	SIZE CAGE CODE DRAWING NO. A1 00779 C=650841	
1 PLC ± -		APPLICATION SPEC	WEIGHT -	
2 PLC ± -		FINISH	SCALE 4:1 SHEET 1 OF 1 REV C	
3 PLC ± 0.13 [0.005]		MATERIAL	CUSTOMER DRAWING	
4 PLC ± -		FINISH		
ANGLES ± -				