

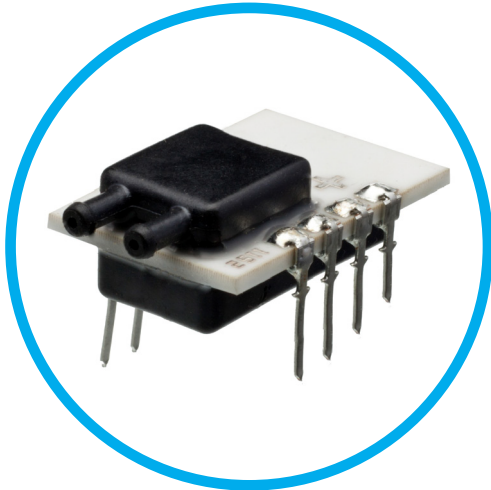


# P1J

Pressure Sensor

## Description

The P1J series of pressure sensors incorporates a piezo-resistive sensing element in a compact package. Using a 2.7 to 5.5 VDC supply voltage, the P1J provides a SPI or I2C digital output as required by your application. Internal temperature compensation provides an accurate, easy to use sensor. The industry standard terminal pins provides ease of use for your printed circuit board designs.



## Features

- Compact Package
- Amplified Temperature Compensated Digital Output
- No Position Sensitivity above 0-2"H2O
- EMI/RFI and ESD Protected
- Superior Output Signal Stability
- Printed Circuit Board through Hole Mounting

## Applications

- Variable Air Volume Systems
- Filter Pressure Monitoring
- Duct Air Flow
- Modulated Furnace Controls
- Combustion Airflow
- Gaseous Leak Detection
- **Medical Applications:**  
Oxygen Concentrators, Ventilators, Anesthesia Equipment, CPAP, Wound Therapy.



## MAIN FEATURES

<b>Pressure Ranges</b>	2, 5, 10, +/- 2, +/- 5, +/- 10 inches of water; 5, 12.5, 25, +/- 5, +/- 6, +/- 12.5, +/- 25 mbar
<b>Electrical Connection</b>	PCB thru hole terminal pins, 2.54 mm [.100 inch] pitch
<b>Pressure Connection</b>	Barbed port, 1.9[.08] diameter
<b>Housing Material</b>	PPS, 40% glass filled, black
<b>Terminal Pin Material</b>	Phosphor bronze, tin plated
<b>Supply Voltage</b>	2.7 to 5.5 VDC
<b>Output Signal</b>	14 Bit Digital Output Count – Digital count at null (0% FS): 1638 Digital count at full scale (100% FS) 14745



### Pressure Ranges

<b>from 0 to...</b>	2" H2O	5" H2O	10" H2O	+/- 2" mBar	+/- 5" mBar
<b>from 0 to...</b>	5mbar	12.5mbar	20mbar	+/- 5mbar	+/- 12.5 mbar
<b>Proof Pressure Factor</b>	1.0 PSI/ (70mbar)	1.0 PSI/ (70mbar)	1.0 PSI/ (70mbar)	1.0 PSI/ (70mbar)	1.0 PSI/ (70mbar)
<b>Burst Pressure Factor</b>	1.8 PSI/ (125mbar)	1.8 PSI/ (125mbar)	1.8 PSI/ (125mbar)	1.8 PSI/ (125mbar)	1.8 PSI/ (125mbar)

### Physical

<b>Expected Operating Life</b>	10 million full pressure life cycles
<b>Shelf Life</b>	10 years minimum
<b>Stability</b>	+/- 0.5% of full scale span for 1 year
<b>Vibration</b>	10 G's peak to peak sinusoidal (20 to 1600Hz)
<b>Shock Resistance</b>	50 G's ½ Sinewave, 11 mSec pulse, 18 pulses (6 per axis)
<b>Weight</b>	3.5g max.
<b>Operating Temperature</b>	-20°C to 85°C
<b>Storage Temperature</b>	-40°C to 85°C
<b>Humidity</b>	Up to 92% RH in a non-condensing environment
<b>Media</b>	Dry air

### Performance

<b>Accuracy</b>	0.25% Max (% of full scale span) (RSS of linearity, hysteresis and repeatability)
<b>Temp. Error</b>	0.05%/ C [% of full scale span]
<b>Temp. Error</b>	5% full scale span within temperature range -20° to 0°C and 60° to 85°C 0 to 60°C

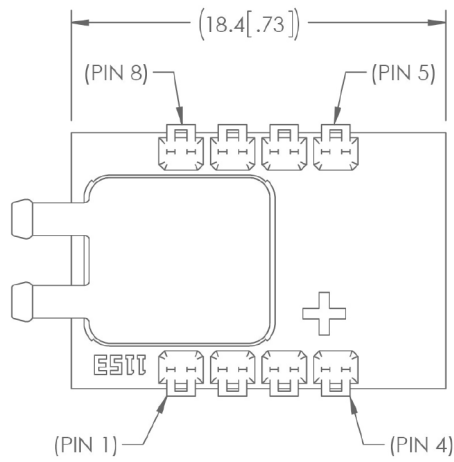
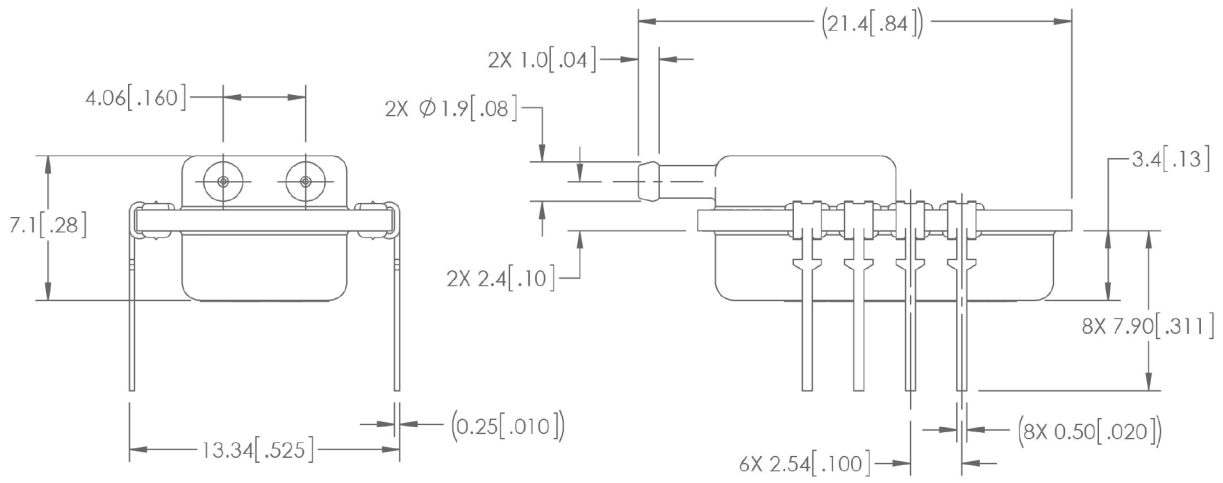
### Electrical

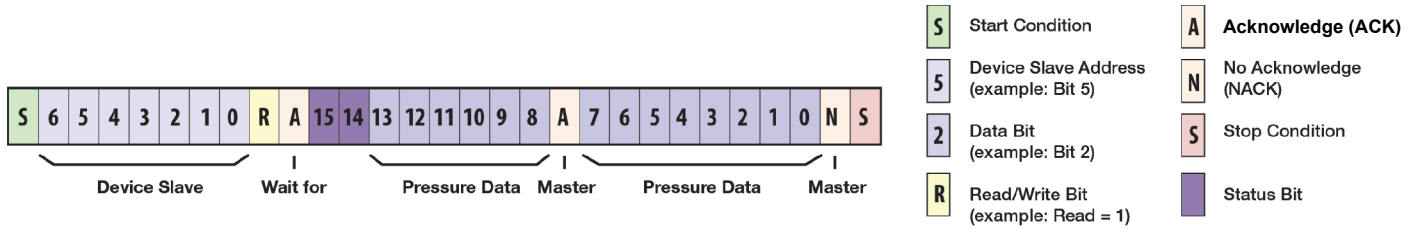
<b>Input Voltage Protection</b>	-0.3 to 6 VDC on Vin PIN, -0.3 to Vs+0.3 on all other pins
<b>Excitation Current</b>	< 2.5mA
<b>Minimum Load</b>	25k Ohms between output and ground
<b>Response Time</b>	0.5 ms



# DIMENSIONS

Dimensions in mm [Inch]





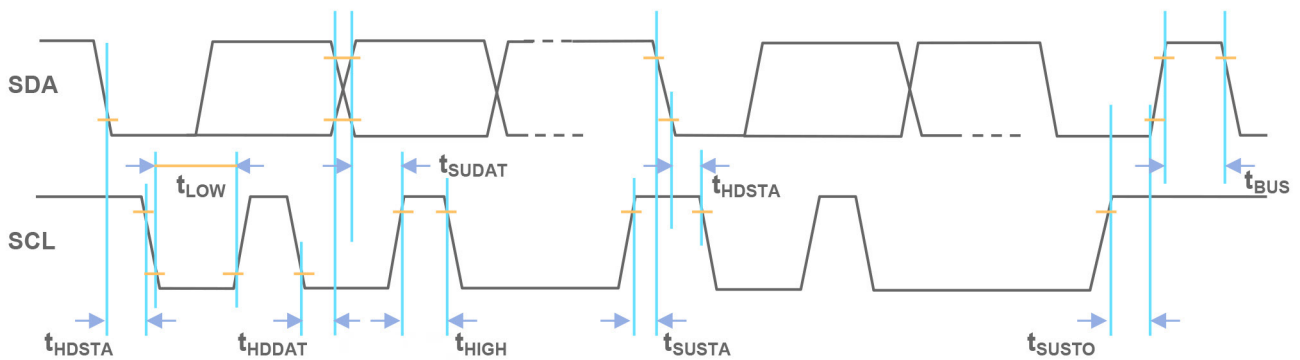
Output

<b>Signal Resolution</b>	12 Bits (11 bits minimum for 0-2" H2O and 0-5 mBar range)			
<b>Update Rate</b>	0.5 ms			
<b>Digital Count at 0% Pressure</b>	1638 (10% of 2 <sup>14</sup> counts or 0x666)			
<b>Digital Count at 100% Pressure</b>	14745 (90% of 2 <sup>14</sup> counts or 0x3999)			
<b>Sensor Slave Addresses</b>	40 (0x28), 56 (0x38), 72 (0x48), 88 (0x58), 104 (0x68), 120 (0x78)			
<b>PARAMETER</b>	<b>SYMBOL</b>	<b>MIN</b>	<b>MAX</b>	<b>UNITS</b>
<b>Analog Supply Voltage to Gnd</b>	VDD	2.7	5.5	V
<b>High-level input voltage</b>	VIH	0.8 × VDD	VDD	V
<b>Low-level input voltage</b>	VIL	0	0.2 × VDD	V
<b>High-level output voltage</b>	VOH	VDD - 0.2	-	V
<b>Low-level output voltage</b>	VOL	-	0.2	V
<b>Output Sourcing Current</b>	IOH_SDA	-1.9	-4.8	mA
<b>Output Sink Current</b>	IOL_SDA	2.3	6.2	mA
<b>Load Capacitance at SDA (@ 400 kHz)</b>	CSDA		200	pF
<b>Pull-up Resistor</b>	RI2C_PU	500		Ω
<b>Input Capacitance (each pin)</b>	CI2C_IN		10	pF
<b>SCL clock frequency</b>	fSCL	100	400	kHz
<b>START condition hold time relative to SCL range</b>	tHDSTA	0.1	-	μs
<b>Minimum SCL clock low width 1)</b>	tLOW	0.6		μs
<b>Minimum SCL clock high width 1)</b>	tHIGH	0.6		μs
<b>Start condition setup time relative to SCL edge</b>	tSUSTA	0.1		μs
<b>Data hold time on SDA relative to SCL edge</b>	tHDDAT	0		μs
<b>Data setup time on SDA relative to SCL edge</b>	tSUDAT	0.1		μs
<b>Stop condition setup time on SCL</b>	tSUSTO	0.1		μs
<b>Bus free time between stop condition and start condition</b>	tBUS	2		μs

1) Combined low and high widths must equal or exceed minimum SCLK period.



## I2C TIMING DIAGRAM

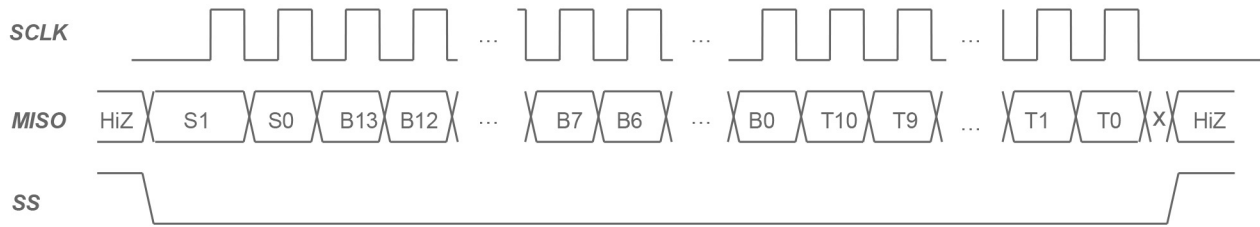


### Note

There are three adjustments to the I2C implementation compared with the original I2C™ protocol:

- Sending a start-stop condition without any transitions on the CLK line (no clock pulses in between) creates a communication error for the next communication, even if the next start condition is correct and the clock pulse is applied. An additional start condition must be sent, which results in restoration of proper communication.
- The restart condition—a falling SDA edge during data transmission when the CLK clock line is still high—creates the same situation. The next communication fails, and an additional start condition must be sent for correct communication.
- A falling SDA edge is not allowed between the start condition and the first rising SCL edge. If using an I2C™ address with the first bit 0, SDA must be held low from the start condition through the first bit.

## Output Packet with Positive Edge Sampling



Packet = [ {S(1:0)}, {B(13:8)}, {B(7:0)}, {T(10:3)}, {T(2:0)},xxxxx] Where  
 S(1:0) = Status bits of packet (normal, command, busy, diagnostic)  
 B(13:8) = Upper 6 bits of 14-bit bridge data  
 B(7:0) = Lower 8 bits of 14-bit bridge data  
 T(10:0) = NOT corrected temperature data (mask out or terminate read early)

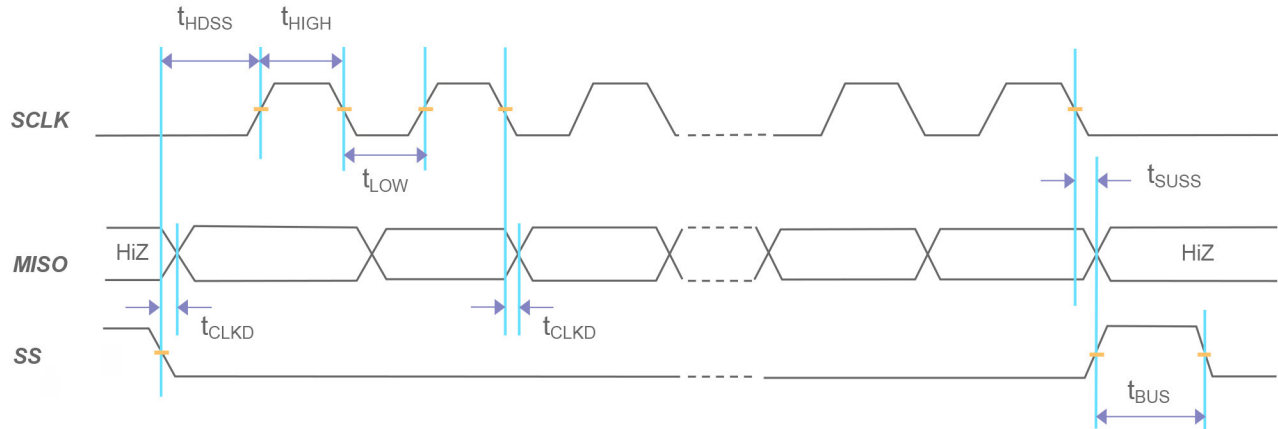
## Output

<b>Signal Resolution</b>	12 Bits (11 bits minimum for 0-2" H2O and 0-5 mBar range)			
<b>Update Rate</b>	0.5 ms			
<b>Digital Count at 0% Pressure</b>	1638 (10% of 214 counts or 0x666)			
<b>Digital Count at 100% Pressure</b>	14746 (90% of 214 counts or 0x3999)			
<b>PARAMETER</b>	<b>SYMBOL</b>	<b>MIN</b>	<b>MAX</b>	<b>UNITS</b>
<b>Analog Supply Voltage to Gnd</b>	VDD	2.7	5.5	V
<b>High-Level Input Voltage</b>	VIH	0.8 × VDD	VDD	V
<b>Low-Level Input Voltage</b>	VIL	0	0.2 × VDD	V
<b>High-Level Output Voltage</b>	VOH	VDD - 0.2	-	V
<b>Low-Level Output Voltage</b>	VOL	-	0.2	V
<b>Output Sourcing Current @ VOH</b>	IOH_MISO	1.9	-4.8	mA
	IOH_SS	-0.63	-1.9	mA
<b>Output Sink Current @ VOL</b>	IOL_MISO	2.3	6.2	mA
	IOL_SS	0.85	3.0	mA
<b>Input Capacitance (Each Pin)</b>	CI2C_IN		10	pF
<b>SCLK Clock Frequency (4 MHz clock)</b>	fSCL	50	800	kHz
<b>SCLK Clock Frequency (1 MHz clock)</b>	tSCL	50	200	kHz
<b>SS Drop to First Clock Edge</b>	tHDSS	2.5		µs
<b>Minimum SCL Clock Low Width 1)</b>	tLOW	0.6		µs
<b>Minimum SCL Clock High Width 1)</b>	tHIGH	0.6		µs
<b>Clock Edge to Data Transition</b>	tCLKD	0	0.1	µs
<b>Rise of SS Relative to Last Clock Edge</b>	tSUSS	0.1		µs
<b>Bus Free Time Between Rise and Fall of SS</b>	tBUS	2		µs

1) Combined low and high widths must equal or exceed minimum SCLK period.



## SPI TIMING DIAGRAM



### Note

The MISO line is setup to change state on the falling edge of the SCLK clock. Accordingly, the master should sample the data on the rising edge of the SCLK signal.



## I2C/SPI DIAGNOSTIC FEATURES

The P1J offers a full suite of diagnostic features to ensure robust system operation. The diagnostic states are indicated by a transmission of the status of the 2 MSBs of the bridge high byte data or by a saturated output at 3FFFH.

STATUS BITS (2 MSB'S OF OUTPUT PACKAGE)	DEFINITION
<b>Signal resolution</b>	12 Bits (11 bits minimum for 0-2" H2O and 0-5 mBar range)
<b>Update rate</b>	0.5 ms
<b>Digital count at 0% pressure</b>	1638 (10% of 214 counts or 0x666)
<b>Digital count at 100% pressure</b>	14746 (90% of 214 counts or 0x3999)

When the two MSBs are 11, one of the following faults listed below is indicated.

- Invalid EEPROM signature
- Loss of bridge positive or negative
- Bridge input short
- Loss of bridge source
- Loss of bridge sink

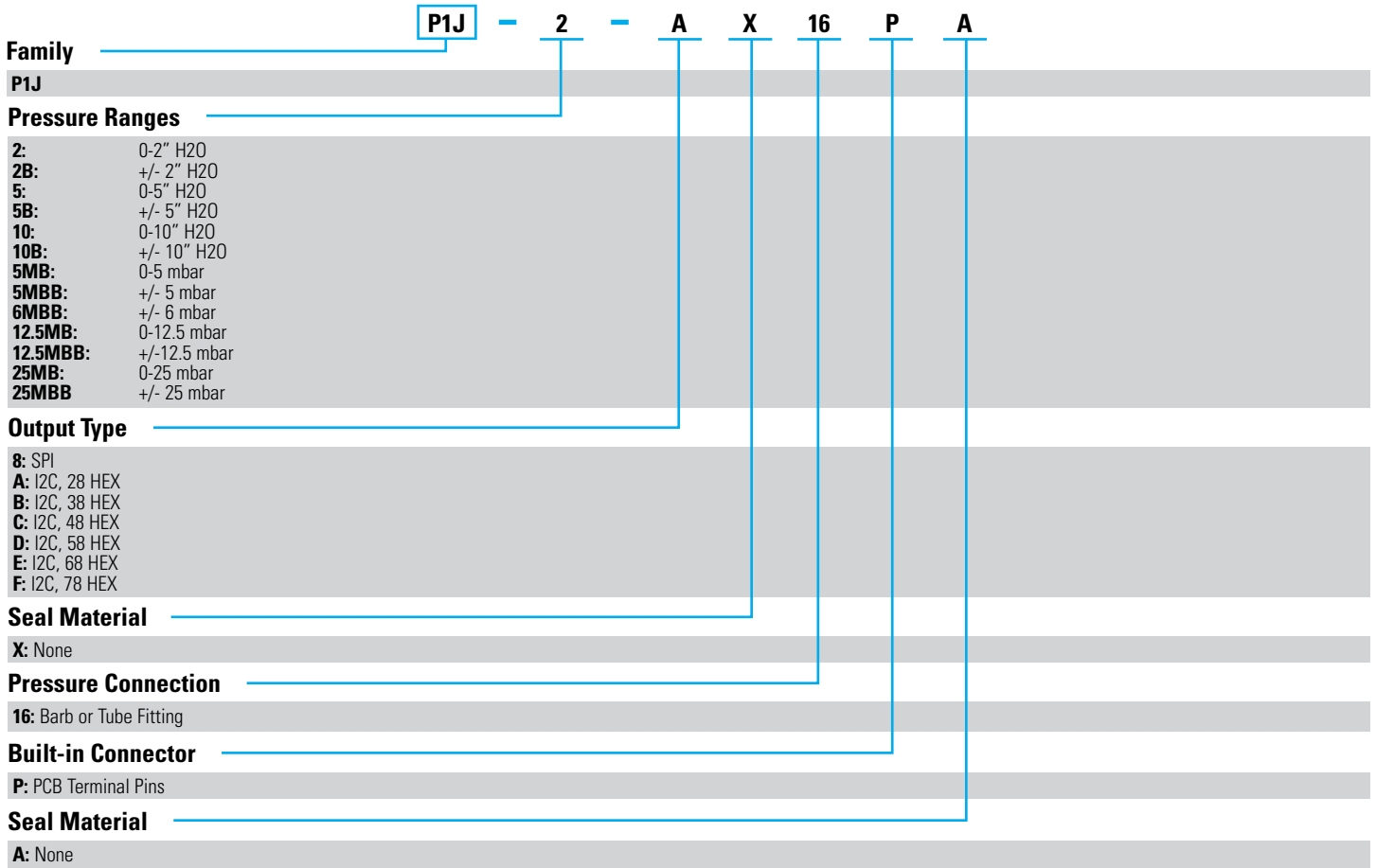
All diagnostics are detected in the next measurement cycle and reported in the subsequent data fetch. Once a diagnostic is reported, the diagnostic status bits will not change unless both the cause of the diagnostic is fixed and a power-on-reset is performed.



# ORDERING OPTIONS

Example : P1J-2-AX16PA

P1J Pressure sensor 0 -1" H2O, I2C 28 Hex digital output, no internal material seal, barbed tube fitting port with PCB Terminal Pin connection, no external material seal.







Revised 2/16/18

Sensata Technologies, Inc. ("Sensata") data sheets are solely intended to assist designers ("Buyers") who are developing systems that incorporate Sensata products (also referred to herein as "components"). Buyer understands and agrees that Buyer remains responsible for using its independent analysis, evaluation and judgment in designing Buyer's systems and products. Sensata data sheets have been created using standard laboratory conditions and engineering practices. Sensata has not conducted any testing other than that specifically described in the published documentation for a particular data sheet. Sensata may make corrections, enhancements, improvements and other changes to its data sheets or components without notice.

Buyers are authorized to use Sensata data sheets with the Sensata component(s) identified in each particular data sheet. HOWEVER, NO OTHER LICENSE, EXPRESS OR IMPLIED, BY ESTOPPEL OR OTHERWISE TO ANY OTHER SENSATA INTELLECTUAL PROPERTY RIGHT, AND NO LICENSE TO ANY THIRD PARTY TECHNOLOGY OR INTELLECTUAL PROPERTY RIGHT, IS GRANTED HEREIN. SENSATA DATA SHEETS ARE PROVIDED "AS IS". SENSATA MAKES NO WARRANTIES OR REPRESENTATIONS WITH REGARD TO THE DATA SHEETS OR USE OF THE DATA SHEETS, EXPRESS, IMPLIED OR STATUTORY, INCLUDING ACCURACY OR COMPLETENESS. SENSATA DISCLAIMS ANY WARRANTY OF TITLE AND ANY IMPLIED WARRANTIES OF MERCHANTABILITY, FITNESS FOR A PARTICULAR PURPOSE, QUIET ENJOYMENT, QUIET POSSESSION, AND NON-INFRINGEMENT OF ANY THIRD PARTY INTELLECTUAL PROPERTY RIGHTS WITH REGARD TO SENSATA DATA SHEETS OR USE THEREOF.

All products are sold subject to Sensata's terms and conditions of sale supplied at [www.sensata.com](http://www.sensata.com) SENSATA ASSUMES NO LIABILITY FOR APPLICATIONS ASSISTANCE OR THE DESIGN OF BUYERS' PRODUCTS. BUYER ACKNOWLEDGES AND AGREES THAT IT IS SOLELY RESPONSIBLE FOR COMPLIANCE WITH ALL LEGAL, REGULATORY AND SAFETY-RELATED REQUIREMENTS CONCERNING ITS PRODUCTS, AND ANY USE OF SENSATA COMPONENTS IN ITS APPLICATIONS, NOTWITHSTANDING ANY APPLICATIONS-RELATED INFORMATION OR SUPPORT THAT MAY BE PROVIDED BY SENSATA.

Mailing Address: Sensata Technologies, Inc., 529 Pleasant Street, Attleboro, MA 02703, USA.

## CONTACT US

### Americas

+1 (800) 350 2727

[sensors@sensata.com](mailto:sensors@sensata.com)

[switches@sensata.com](mailto:switches@sensata.com)

### Europe, Middle East & Africa

+359 (2) 809 1826

[pressure-info.eu@sensata.com](mailto:pressure-info.eu@sensata.com)

### Asia Pacific

[sales.isasia@list.sensata.com](mailto:sales.isasia@list.sensata.com)

China +86 (21) 2306 1500

Japan +81 (45) 277 7117

Korea +82 (31) 601 2004

India +91 (80) 67920890

Rest of Asia +886 (2) 27602006

ext 2808