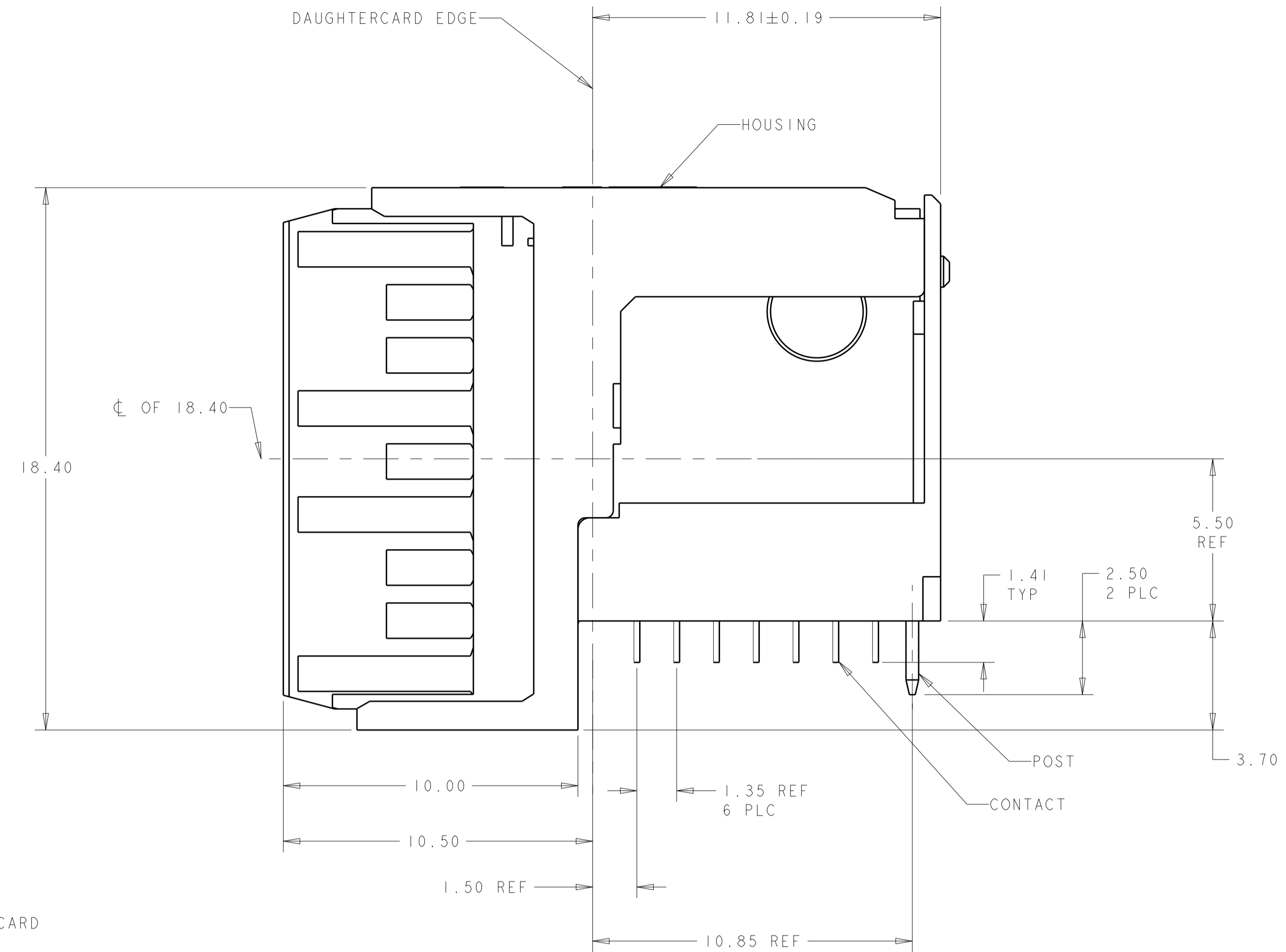
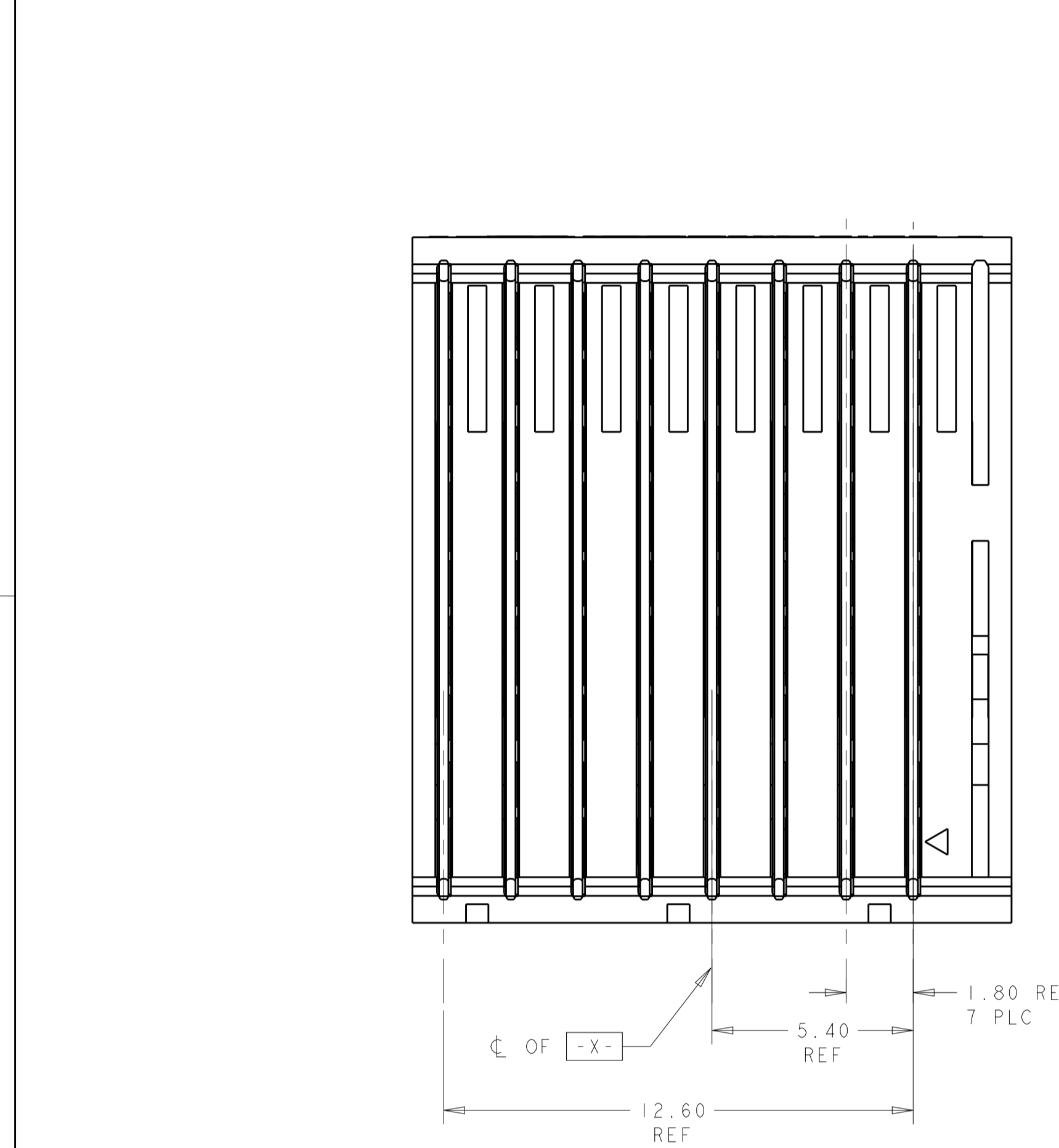


LOC	DIST	REVISIONS			
		REV	DATE	BY	APPV
GP	00	B1	REVISED PER ECO-12-011792	20JUL2012	KH AS

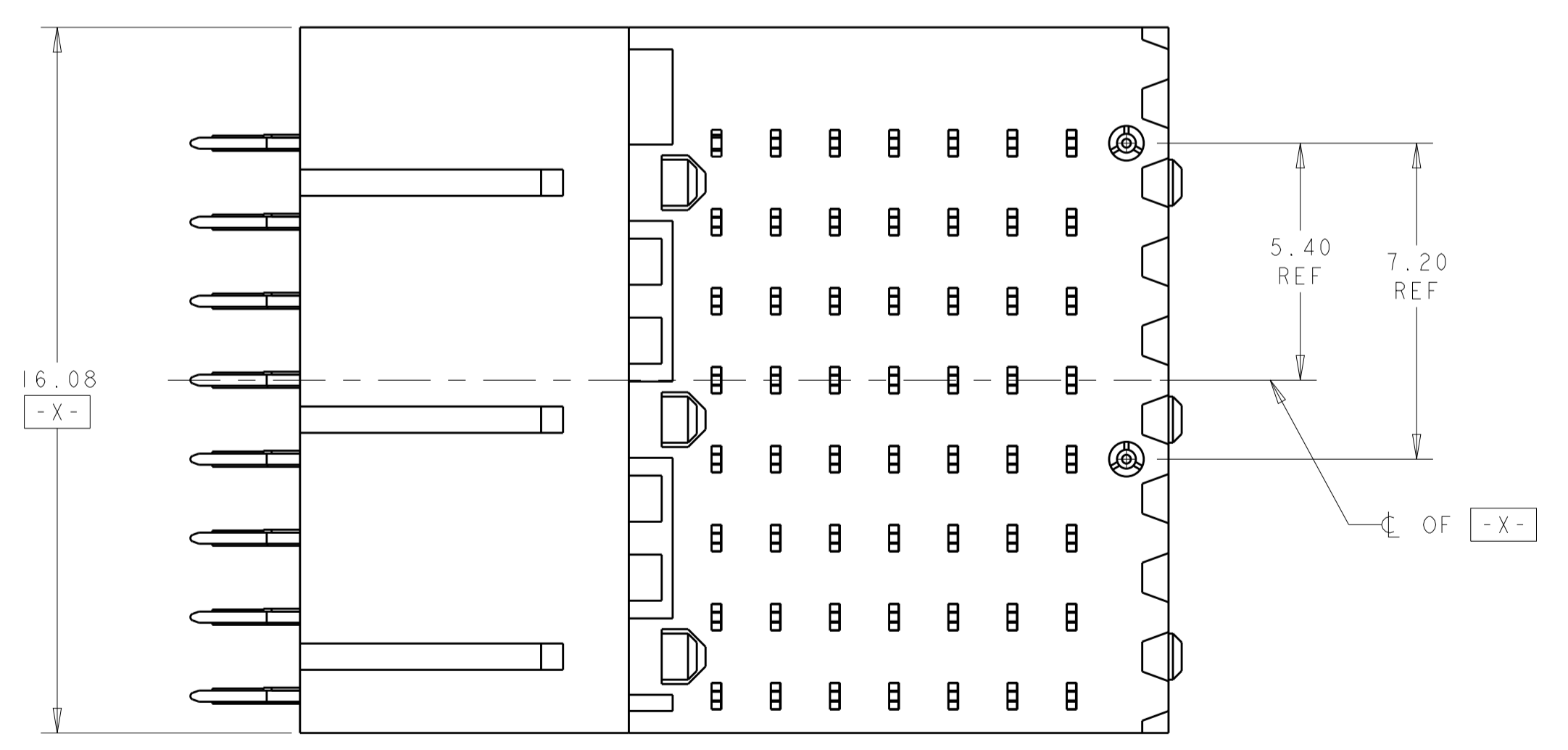
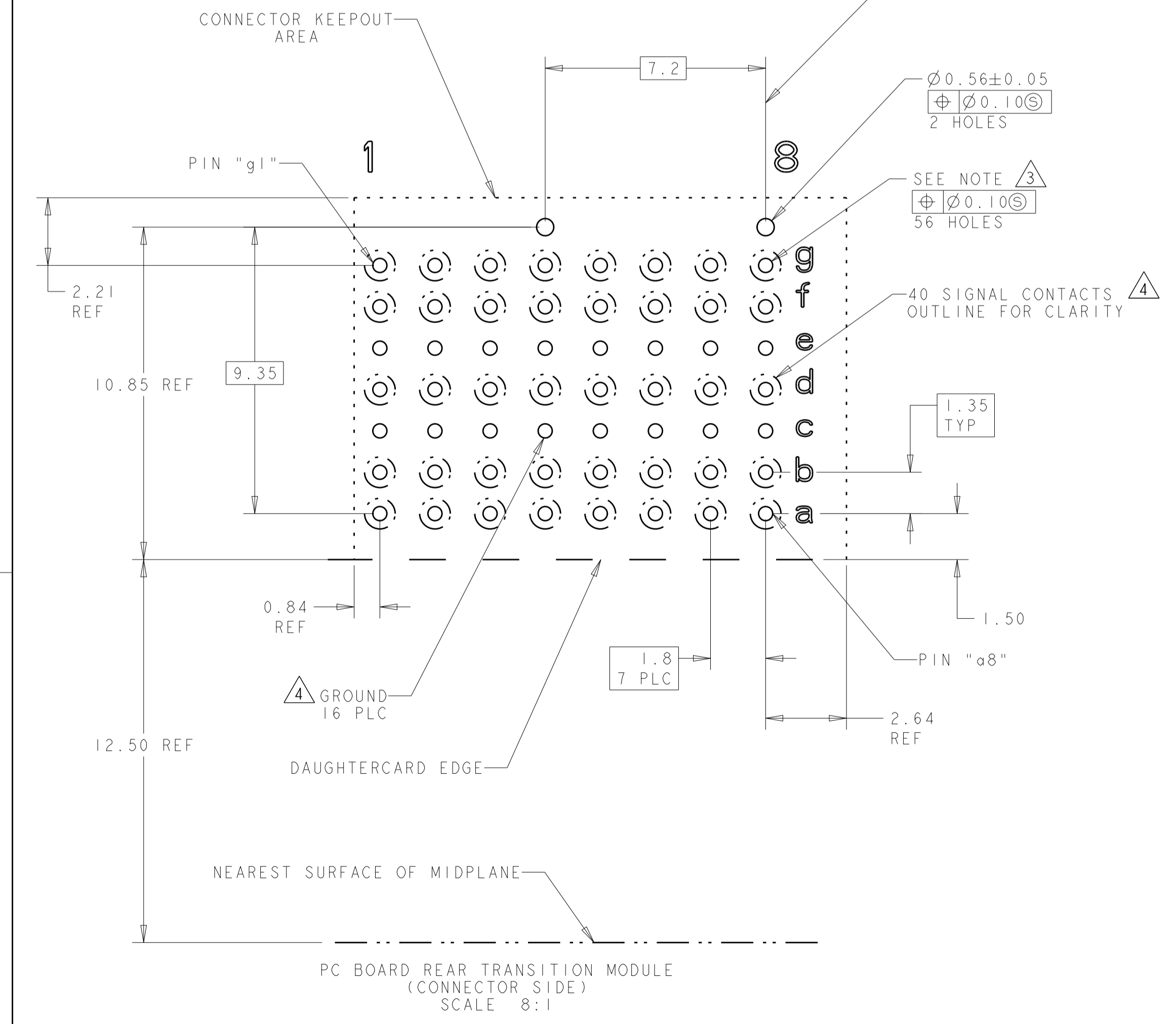


- △ HOUSING: LCP, UL94V0, COLOR: BLACK.  
CONTACT: PHOSPHOR BRONZE.  
POST: BRASS WIRE
- △ CONTACT: 1.27μm MIN GOLD IN PAD CONTACT AREA, 1.27μm MIN TIN-LEAD ON PCB TAIL OVER 1.27μm MIN. NICKEL OVER ALL.  
POST: 1.27μm MIN NICKEL PLATED.
- △ PLATE THROUGH HOLE PER 114-13056, FIGURE 4.
- △ SEE TABLE 1 FOR INTERCONNECTIONS TO BACKPLANE CONNECTOR.
- △ CONTACT: 1.27μm MIN GOLD IN PAD CONTACT AREA  
1.27μm MIN TIN ON PCB TAIL  
OVER 1.27μm MIN NICKEL OVER ALL.  
POST 1.27μm MIN NICKEL PLATED.

TABLE 1  
INTERCONNECTIONS WITH BACKPLANE CONNECTOR 1410186-1

CONTACT USAGE	DAUGHTERCARD CONNECTOR PIN	BACKPLANE CONNECTOR PIN
SIGNAL	ax	bx
SIGNAL	bx	cx
SIGNAL	dx	ex
SIGNAL	fx	gx
SIGNAL	gx	hx
GROUND	cx, ex, (ALL COMMONED)	ax, dx, fx, ix

NOTE: "x" DESIGNATES THE COLUMN NUMBER



△ 5	1410972-4
△ 2	1410972-3
PLATING	PART NO

THIS DRAWING IS A CONTROLLED DOCUMENT.

DIMENSIONS:	TOLERANCES UNLESS OTHERWISE SPECIFIED:	OWN: R. IREA 21FEB2006	NAME: RIGHT-ANGLE PLUG ASSEMBLY, 7 ROW, SE. HALF LEFT END, 20.3mm, MultiGig RT2, DAUGHTERCARD CONNECTOR, VITA 46
mm	0 PLC ±0.5 2 PLC ±0.13 3 PLC ±0.13 4 PLC ±0.13 5 PLC ±0.13	CHK: G. GRIFFITH 21FEB2006	PRODUCT SPEC: 108-2072
APVD:	ANGLES: ±1°	APVD: G. GRIFFITH 21FEB2006	APPLICATION SPEC:
MATERIAL:	FINISH:	SIZE: 114-13056	RESTRICTED TO:
SEE TABLE		WEIGHT:	A100779C=1410972
		CUSTOMER DRAWING	SCALE: 8:1 SHEET 1 OF 1 REV: B1

TE Connectivity