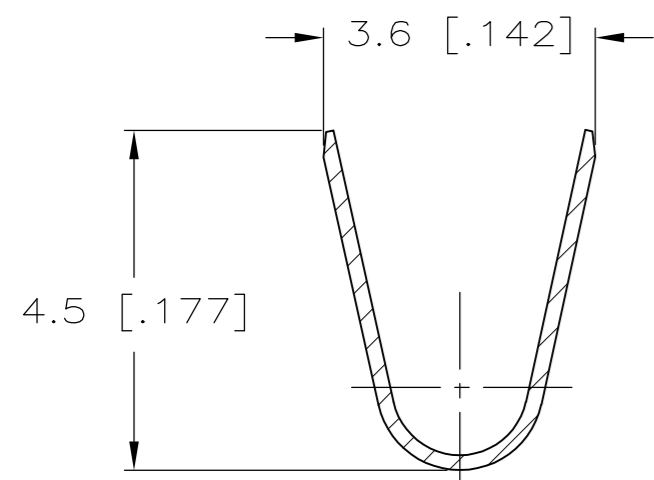
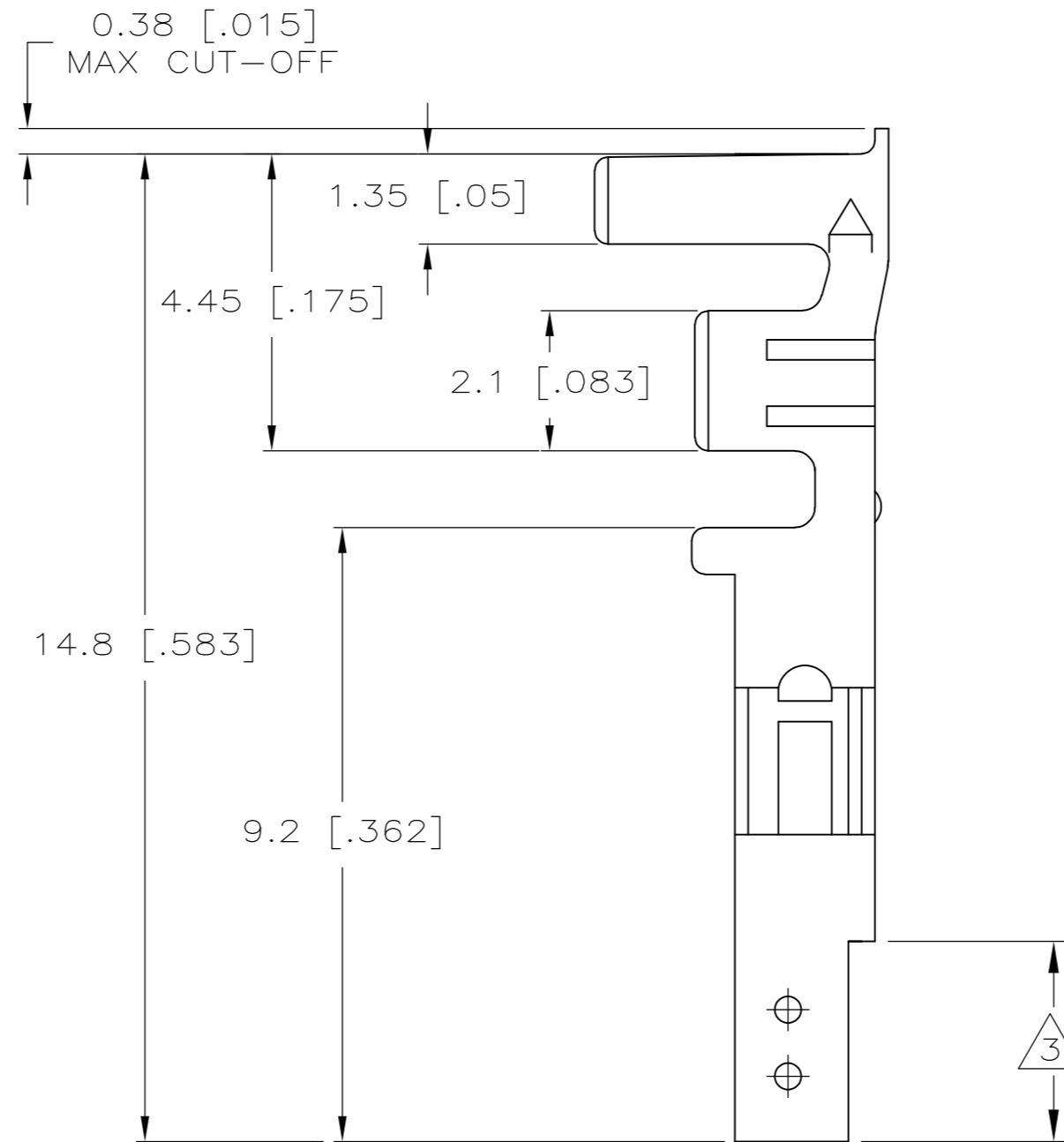
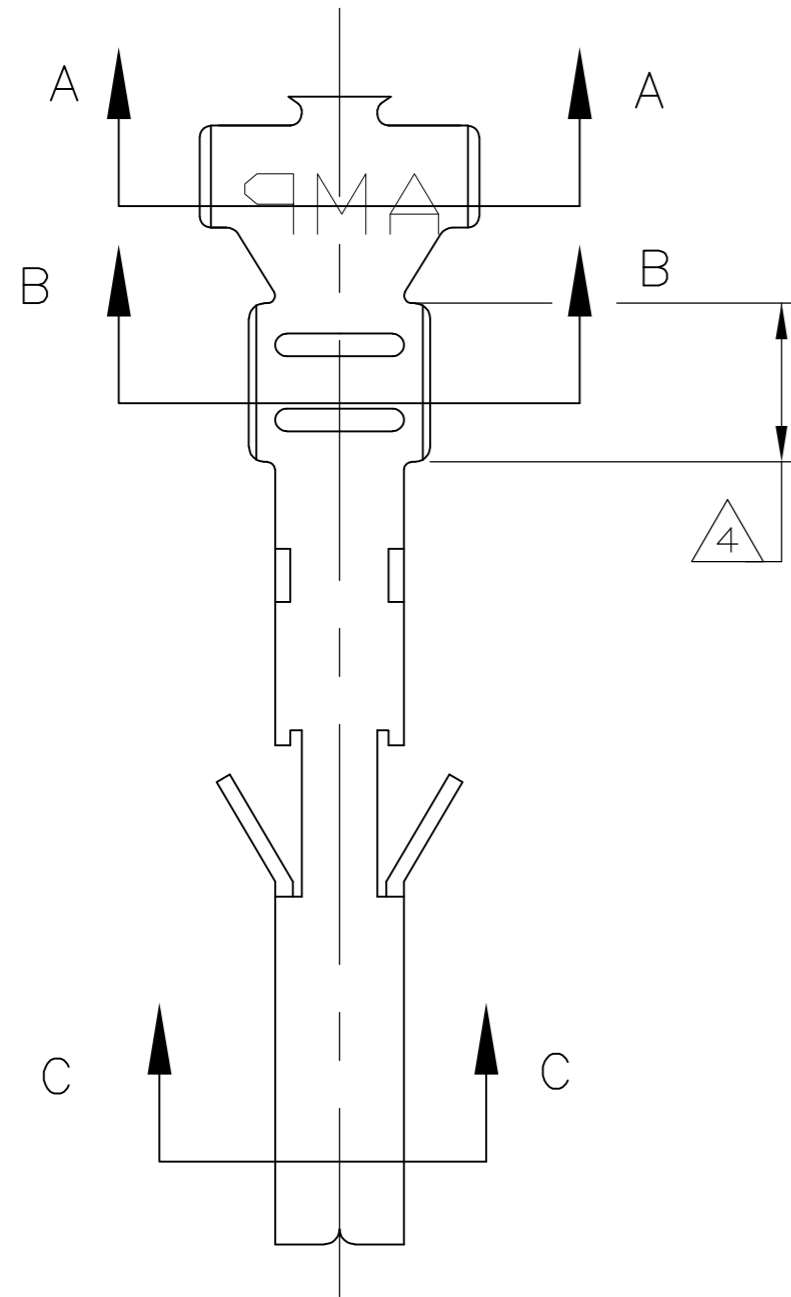


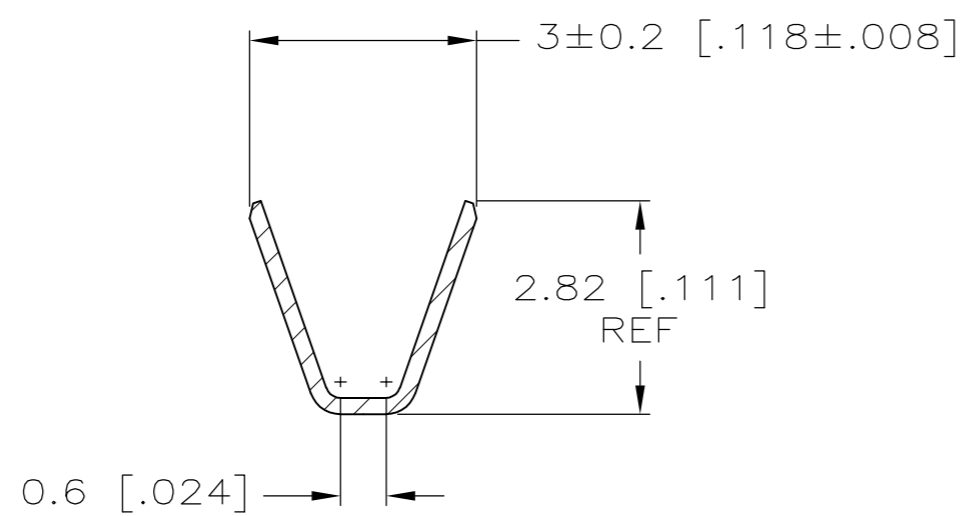
THIS DRAWING IS UNPUBLISHED. RELEASED FOR PUBLICATION  
 © COPYRIGHT BY TYCO ELECTRONICS CORPORATION. ALL RIGHTS RESERVED.

| LOC |     | DIST                      |         | REVISIONS |      |  |  |
|-----|-----|---------------------------|---------|-----------|------|--|--|
| P   | LTR | DESCRIPTION               | DATE    | DWN       | APVD |  |  |
| B1  |     | REVISED PER ECO-08-027061 | 05NOV08 | HMR       | CC   |  |  |

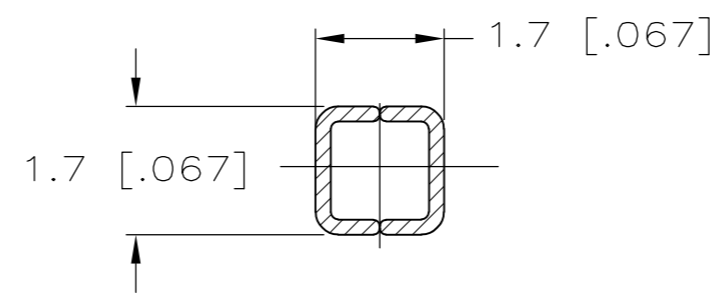
1. WIRE RANGE: 1.31mm<sup>2</sup> (16 AWG).
2. INSULATION RANGE 3.10 [.122] MAXIMUM DIAMETER
3. FINISH: 0.76µm MINIMUM GOLD OVER 1.27µm MINIMUM NICKEL REQUIRED ON INNER SURFACE, PERMITTED ON OUTER SURFACE.
4. FINISH: 2.54µm MINIMUM TIN ON ALL SURFACES IN THIS AREA.



SECTION A-A



SECTION B-B



SECTION C-C

**METRIC**

|          |            |           |
|----------|------------|-----------|
| GOLD 3 4 | PHOS. BRZ. | 1586841-4 |
| PRE-TIN  | PHOS. BRZ. | 1586841-3 |
| GOLD 3 4 | BRASS      | 1586841-2 |
| PRE-TIN  | BRASS      | 1586841-1 |
| FINISH:  | MATERIAL:  | PART NO.  |

|  |  |                                 |   |                    |
|--|--|---------------------------------|---|--------------------|
| THIS DRAWING IS A CONTROLLED DOCUMENT. |  | DWN<br>K. WHITAKER<br>04APR2007 | Tyco Electronics Corporation<br>Harrisburg, PA 17105-3608 |                    |
| DIMENSIONS:<br>mm [INCHES]             |  | CHK<br>C. CASH<br>04APR2007     | NAME<br>TERMINAL VAL-U-LOK(TM)<br>SOCKET (LOOSE PIECE)    |                    |
| TOLERANCES UNLESS OTHERWISE SPECIFIED: |  | APVD<br>C. CASH<br>04APR2007    | SIZE<br>A2  | CAGE CODE<br>00779 |
| 0 PLC ±                                |  | PRODUCT SPEC                    | DRAWING NO<br>C=1586841                                   | RESTRICTED TO<br>- |
| 1 PLC ± 0.2 [.01]                      |  | APPLICATION SPEC                | SCALE<br>10:1   | SHEET<br>1 OF 1    |
| 2 PLC ± 0.13 [.005]                    |  | WEIGHT                          | REV<br>B1   |                    |
| 3 PLC ± 0.254 [.0100]                  |  | CUSTOMER DRAWING                |   |                    |
| 4 PLC ±                                |  |                                 |   |                    |
| ANGLES ±                               |  |                                 |   |                    |
| FINISH                                 |  |                                 |   |                    |