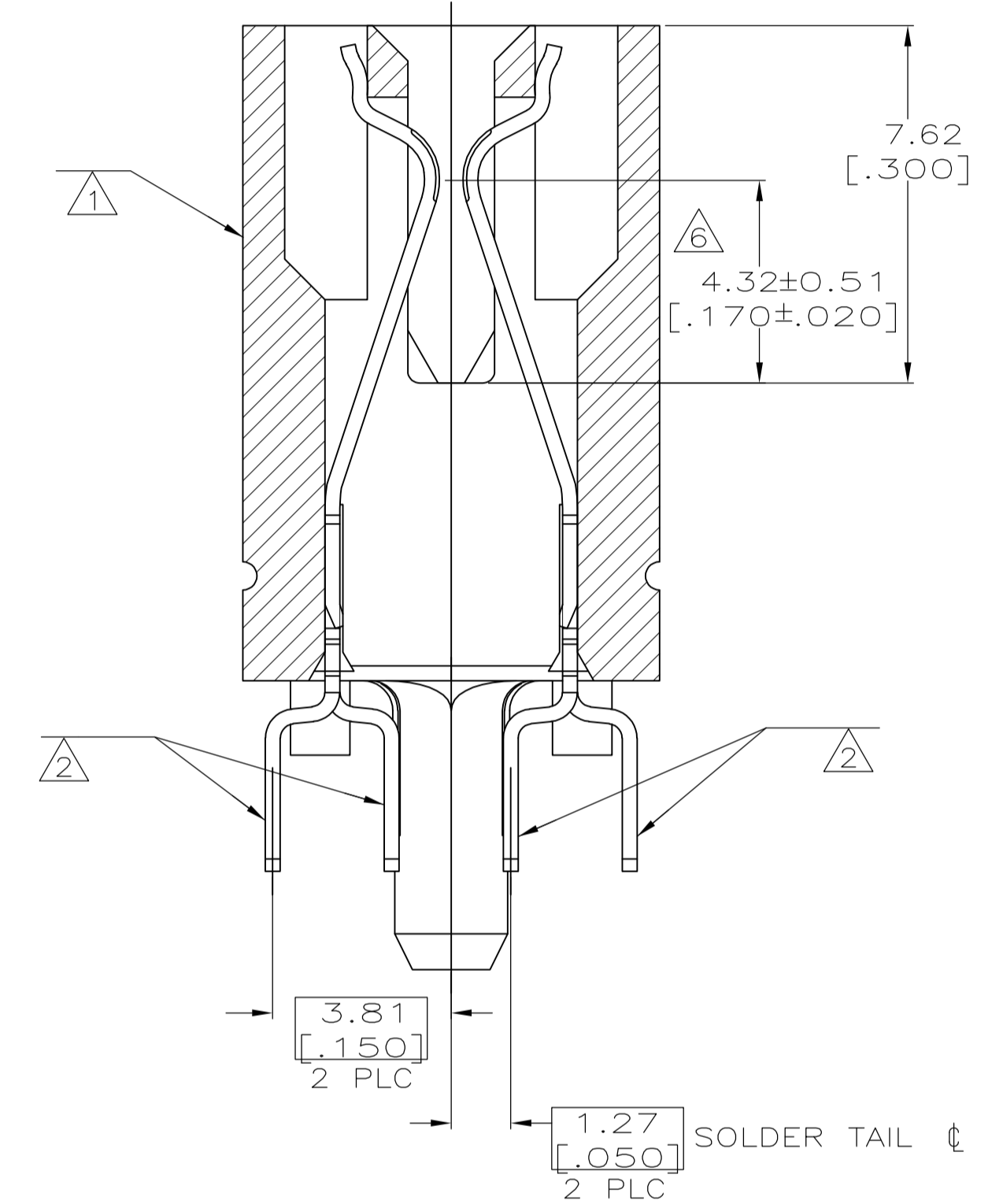
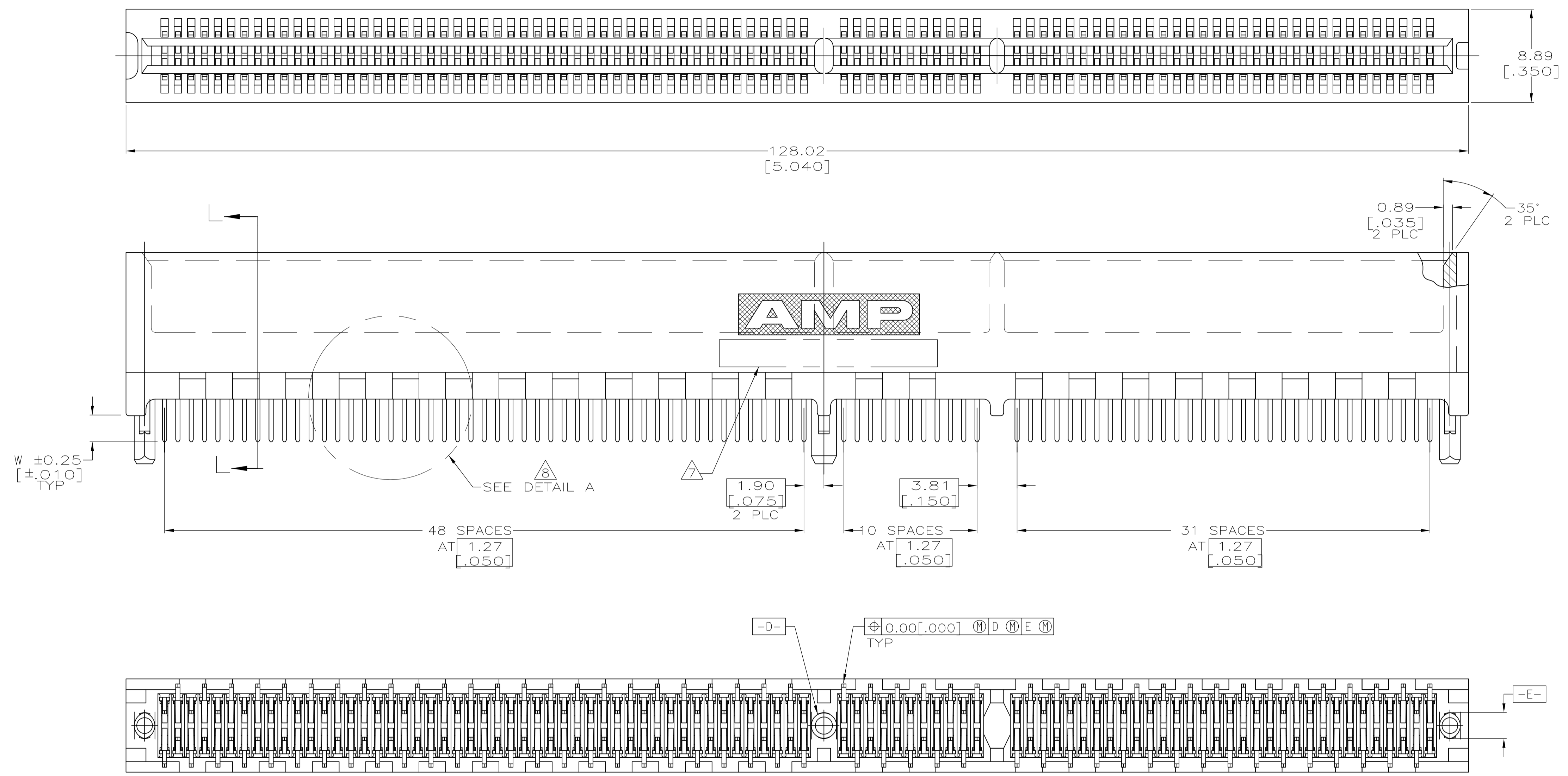
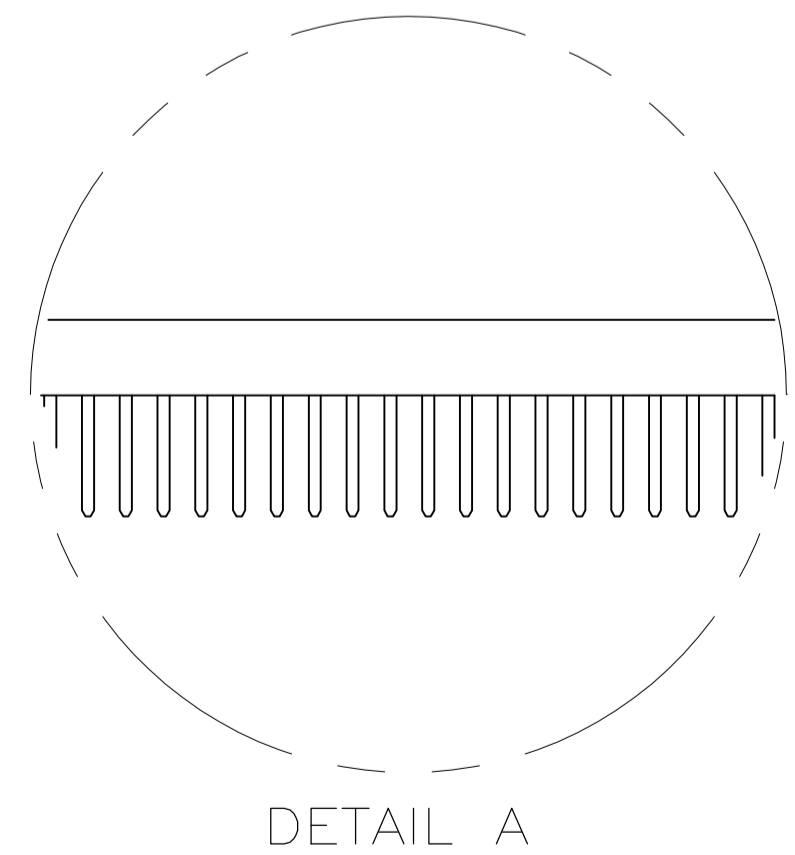


LOC		DIST		REVISIONS			
GP	00	F	LTR	DESCRIPTION	DATE	DMN	APVD
		0		RELEASED PER EC 0512-0287-04	23 JUN 05	AWF	AWF
		01		REVISED PER ECO-10-000444	19JAN10	KK	HMR



SEE SHEET 2 FOR HOLE PATTERN

- ① HOUSING: HIGH TEMPERATURE THERMOPLASTIC. COLOR - NATURAL
- ② CONTACT: PHOSPHOR BRONZE.
- ③ CONTACT FINISH: .001269 [.000050] MIN NICKEL ALL OVER. GOLD FLASH OVER NICKEL IN CONTACT AREA. .002537 [.000100] MIN MATTE TIN OVER NICKEL ON SOLDER TAILS.
- ④ CONTACT FINISH: .001269 [.000050] MIN NICKEL ALL OVER. .000375 [.000015] MIN GOLD OVER NICKEL IN CONTACT AREA. .002537 [.000100] MIN MATTE TIN OVER NICKEL ON SOLDER TAILS.
- ⑤ CONTACT FINISH: .001269 [.000050] MIN NICKEL ALL OVER. .000757 [.000030] MIN GOLD OVER NICKEL IN CONTACT AREA. .002537 [.000100] MIN MATTE TIN OVER NICKEL ON SOLDER TAILS.
- ⑥ DISTANCE FROM CONTACT POINT TO BOTTOM OF CARD SLOT.
- ⑦ AMP PART NUMBER, DATE CODE AND CSA LOGO MARKED IN APPROXIMATE LOCATION SHOWN.
- ⑧ CORED OR SOLID SIDE WALLS ARE AT DISCRETION OF AMP INCORPORATED.
- ⑨ OBSOLETE PARTS: OBSOLETE CIS STREAMLINING PER D.RENAUD/D.SINISI

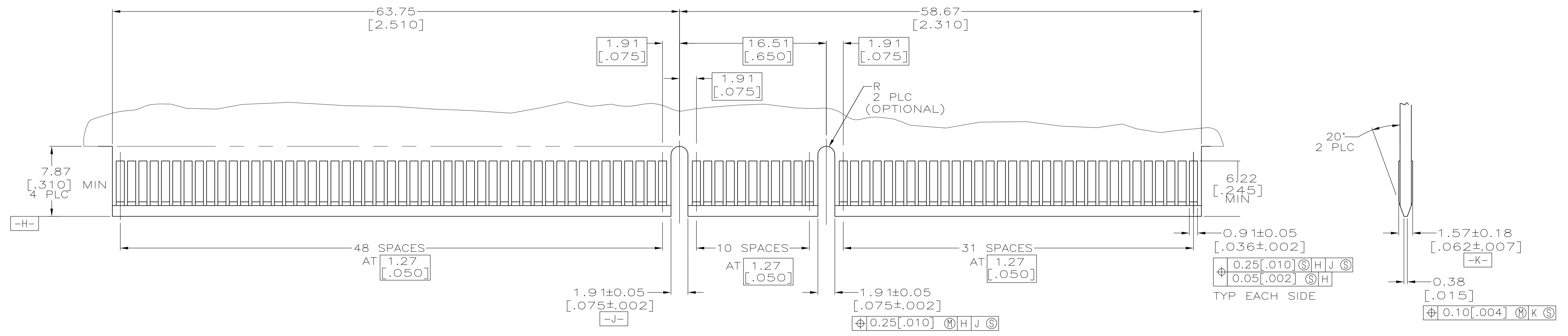


3.56 [.140]	①	1-5145166-2
3.18 [.125]	②	5145166-8
2.54 [.100]	③	5145166-4
OBSOLETE 2.54 [.100]	④	5145166-2
OBSOLETE 2.54 [.100]	⑤	5145166-1

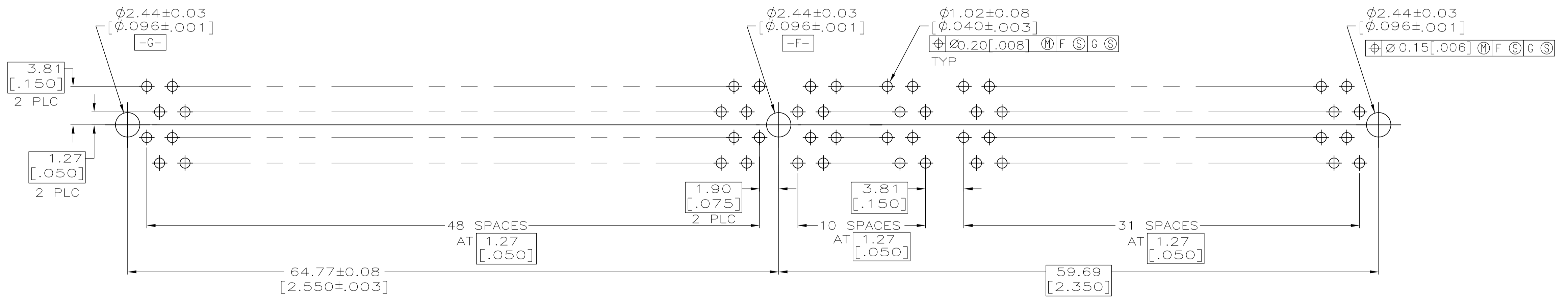
W	FINISH	PART NUMBER

THIS DRAWING IS A CONTROLLED DOCUMENT.

DIMENSIONS: mm [INCHES]	TOLERANCES UNLESS OTHERWISE SPECIFIED:	DIN AL FRANTUM 23 JUN 05	AL FRANTUM 23 JUN 05	Tyco Electronics Corporation Harrisburg, Pa 17105-3608
0 PLC ± -	1 PLC ± -	PRODUCT SPEC 108-14034	NAME	CONNECTOR ASSEMBLY, 92 DUAL POSITION, 1.27 [.050] SERIES.
2 PLC ± 0.25 [.01]	3 PLC ± 0.125 [.005]	APPLICATION SPEC 114-26012	SIZE	CAGE CODE DRAWING NO
4 PLC ± -	ANGLES ± -	WEIGHT	A1 00779	5145166
MATERIAL	FINISH	CUSTOMER DRAWING	SCALE 4:1	SHEET 1 OF 2



RECOMMENDED MATING BOARD EDGE CONFIGURATION



RECOMMENDED CONNECTOR MOUNTING HOLE PATTERN (CONNECTOR SIDE SHOWN)

THIS DRAWING IS A CONTROLLED DOCUMENT.		DN AL FRANTUM 23 JUN 05	Tyco Electronics Tyco Electronics Corporation Harrisburg, Pa 17105-3608
DIMENSIONS: mm [INCHES]		CHK AL FRANTUM 23 JUN 05	
TOLERANCES UNLESS OTHERWISE SPECIFIED:		APVD	NAME
0 PLC ± -	1 PLC ± -	PRODUCT SPEC	CONNECTOR ASSEMBLY, 92 DUAL POSITION, 1.27 [.050] SERIES,
2 PLC ± 0.25 [.01]	3 PLC ± 0.125 [.005]	APPLICATION SPEC	108-14034
4 PLC ± ±	ANGLES ± ±	SIZE	114-26012
MATERIAL SEE SHEET 1	FINISH SEE SHEET 1	WEIGHT	RESTRICTED TO
CUSTOMER DRAWING		SCALE 4:1	SHEET 2 OF 2
		REV 01	