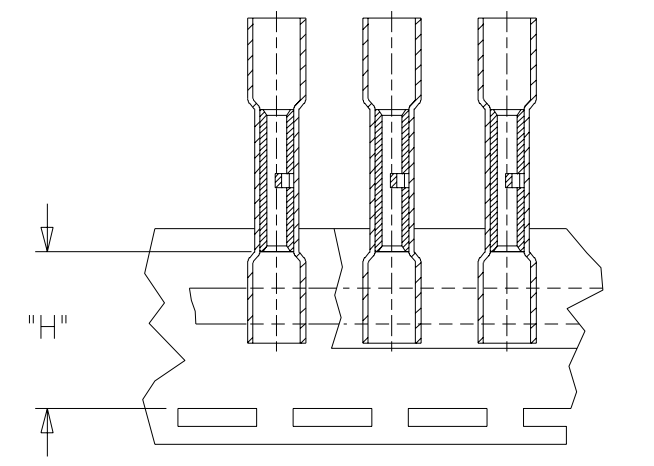
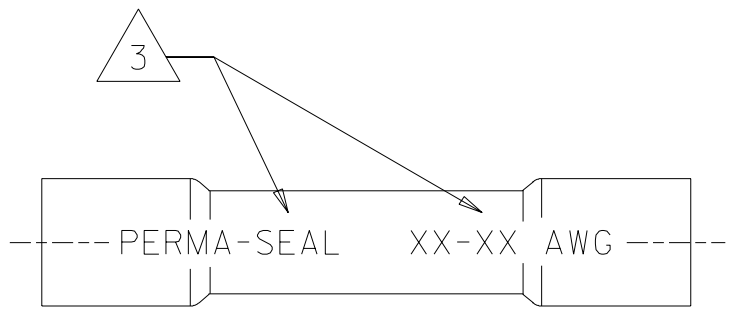
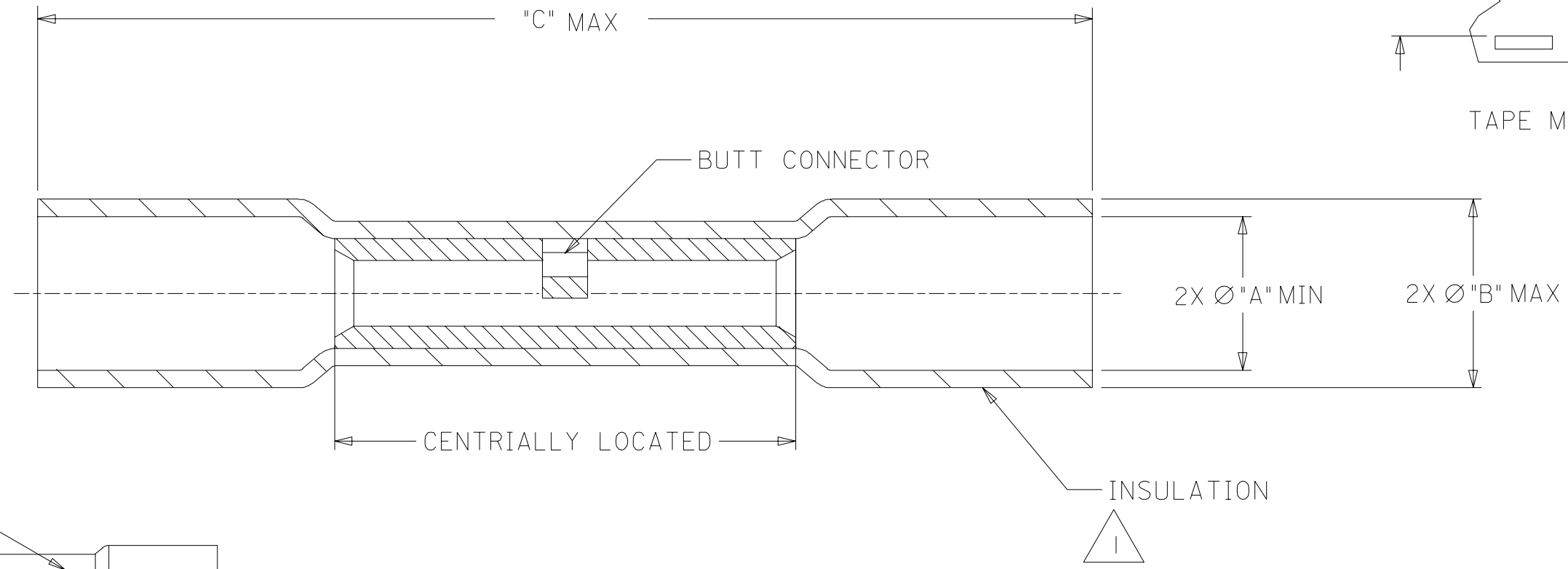


MATERIAL NUMBER	ENGINEERING NUMBER	MYLAR TAPE MATERIAL NUMBER	MYLAR TAPE ENGINEERING NUMBER	PERMA-SEAL COLOR	WIRE AWG △ <sub>3</sub>	"A" MIN	"B" Ø MAX	"C" MAX	"H" © ±.010/0.25
191640013	SAA-22-18	191640014	SAA-22-18T	RED	22-18	.210/5.33	.280/7.11	1.50/38.1	.767/19.48
191640044	SBB-16-14	191640045	SBB-16-14T	BLUE	16-14	.230/5.84	.308/7.82	1.50/38.1	.727/18.47
191640056	SC-12-10	191640057	SC-12-10T	YELLOW	12-10	.305/7.75	.350/8.90	1.75/44.5	.754/19.15
191640079	SD-8	---	---	RED	8	.370/9.40	.448/11.38	2.00/50.8	---



TAPE MOUNTING LOCATION



# SALES DRAWING

- NOTES,
- 1. INSULATION MATERIAL: HEAT SHRINKABLE TUBING WITH HOTMELT INNER LINER. SEE CHART FOR COLOR.
  - 2. SEAMLESS TIN PLATED COPPER TERMINAL.
  - 3. PRINTED TEXT IN BLACK .06 HIGH AS SHOWN.

REVISED "H"	EC NO. ETC2004-0051	QUALITY SYMBOLS
DRWN: BRE	04/05/05	MAJOR = 0
CHK: HEB	04/05/05	CRITICAL = 0
APPR: RWD	04/05/05	
C	REV	

GENERAL TOLERANCES: (UNLESS SPECIFIED)	
4 PLACES	±0. mm
3 PLACES	±0. mm
2 PLACES	±0. mm
1 PLACE	±0. mm
ANGULAR: ±1/2°	
DRAFT WHERE APPLICABLE MUST REMAIN WITHIN DIMENSIONS	

SCALE NO: NE	DESIGN UNITS
BRE 02/03/22	<input type="checkbox"/> mm <input checked="" type="checkbox"/> INCH
CHECKED BY & DATE	
HEB 02/03/22	
APPROVED BY & DATE	
RWD 02/03/22	
CAD FILENAME	
SD-19164-017 .DGN	

DIMENSIONS:		SHT	REV
<input type="checkbox"/> mm	<input checked="" type="checkbox"/> INCH		
THIRD ANGLE PROJECTION		REVISE ON CAD ONLY	
TITLE: PERMA-SEAL BUTT CONNECTORS NIAC			
MOLEX INCORPORATED			
MATERIAL NO.	DRAWING NO.	SHEET NO.	
SEE CHART	SD-19164-017	1 OF 1	
THIS DRAWING CONTAINS INFORMATION THAT IS PROPRIETARY TO MOLEX INCORPORATED AND SHOULD NOT BE USED WITHOUT WRITTEN PERMISSION.			SIZE B