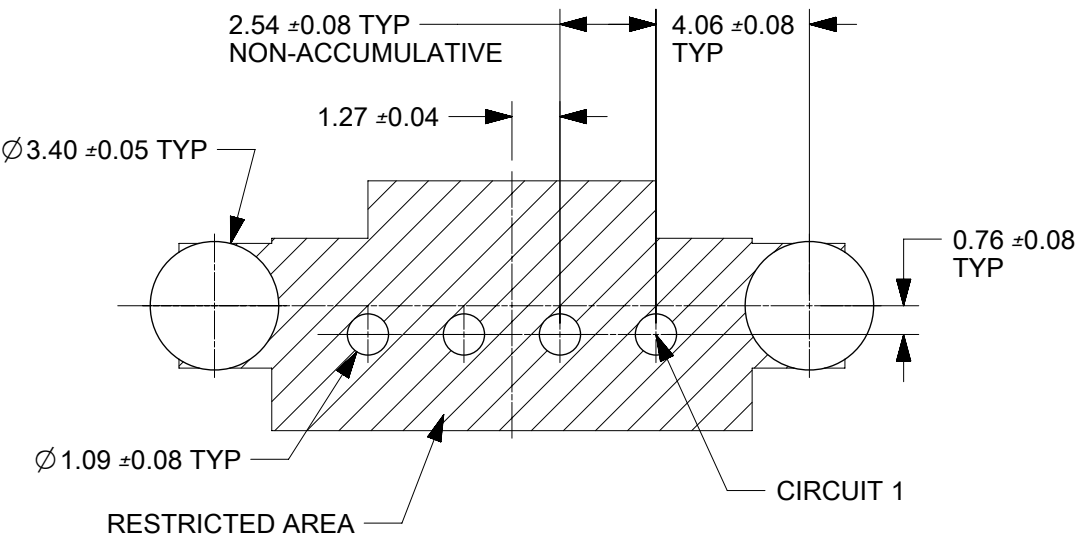
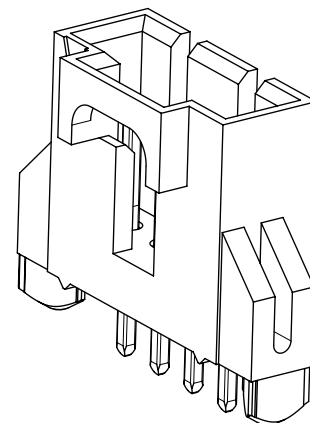
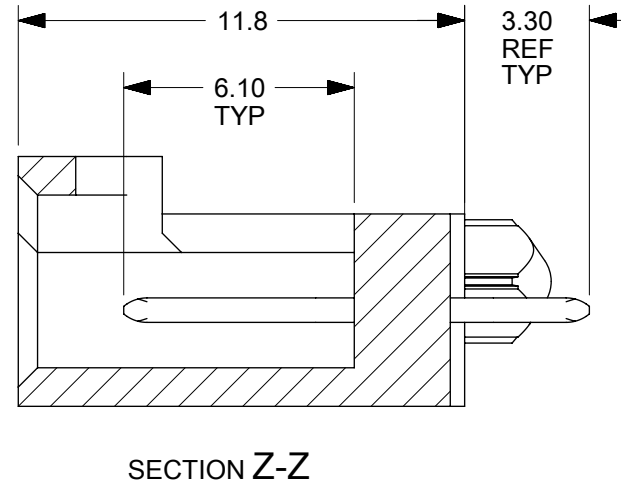
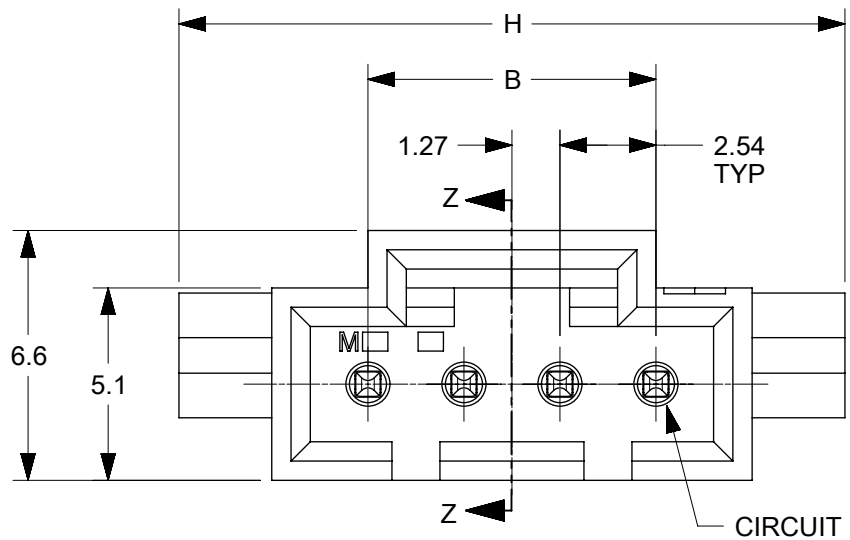


- NOTES:
- HOUSING MATERIAL: (LCP) LIQUID CRYSTAL POLYMER  
UL94V-0, COLOR: BLACK  
  
PIN MATERIAL: BRASS
  - PLATINGS:  
MATTE TIN - 2.54 MICROMETERS MINIMUM MATTE TIN OVER NICKEL  
0.38 GOLD - SELECT GOLD IN MATING AREA: 0.38 MICROMETERS MINIMUM  
SELECT MATTE TIN IN TAIL AREA: 2.0 MICROMETERS MINIMUM  
WITH OVERALL NICKEL UNDERPLATE  
0.75 GOLD - SELECT GOLD IN MATING AREA: 0.75 MICROMETERS MINIMUM  
SELECT MATTE TIN IN TAIL AREA: 2.0 MICROMETERS MINIMUM  
WITH OVERALL NICKEL UNDERPLATE
  - PRODUCT SPECIFICATION: 1719710000-PS AND PS-70400
  - PACKAGING SPECIFICATION: TUBES PER 1719710000-PK
  - HEADER MATES WITH: OPTION "G" 70400 AND 70430  
SERIES SL CONNECTORS.
  - COSMETIC SPECIFICATION: PS-45499-002 CLASS B
  - SOLDERABILITY PER SMES-152 LEAD FREE ALLOY

CIRCUIT SIZE	A	B
2	12.54	2.54
3	15.08	5.08
4	17.62	7.62
5	20.16	10.16
6	22.70	12.70
7	25.24	15.24
8	27.78	17.78
9	30.32	20.32
10	32.86	22.86
11	35.40	25.40
12	37.94	27.94
13	40.48	30.48
14	43.02	33.02
15	45.56	35.56
16	48.10	38.10
17	50.64	40.64
18	53.18	43.18
19	55.72	45.72
20	58.26	48.26
21	60.80	50.80
22	63.34	53.34
23	65.88	55.88
24	68.42	58.42
25	70.96	60.96



RECOMMENDED PC BOARD LAYOUT  
(FOR USE WITH 1.57 THICK BOARD)

SYMBOLS	THIS DRAWING CONTAINS INFORMATION THAT IS PROPRIETARY TO MOLEX ELECTRONIC TECHNOLOGIES, LLC AND SHOULD NOT BE USED WITHOUT WRITTEN PERMISSION		CURRENT REV DESC: REV PER QUAL		<b>molex</b>		
	DIMENSION UNITS	SCALE					
▽ = 0	mm	5:1	EC NO: 174678		SL VERTICAL HEADER W/LATCH W/PEGS		
▽ = 0	GENERAL TOLERANCES (UNLESS SPECIFIED)		DRWN: KSAMIEC 2018/03/30				
▽ = 0	ANGULAR TOL ± 0.5°		CHK'D: MKIPPER 2018/04/09		PRODUCT CUSTOMER DRAWING		
▽ = 0	4 PLACES ±		APPR: FSMITH 2018/04/11				
▽ = 0	3 PLACES ±		INITIAL REVISION:		DOCUMENT NUMBER		
▽ = 0	2 PLACES ± 0.25		DRWN: MKIPPER 2016/05/05				
▽ = 0	1 PLACE ± 0.36		APPR: FSMITH 2016/07/15		DOC TYPE DOC PART REVISION		
▽ = 0	0 PLACES ±		DRAFT WHERE APPLICABLE MUST REMAIN WITHIN DIMENSIONS				
▽ = 0	THIRD ANGLE PROJECTION		DRAWING		MATERIAL NUMBER CUSTOMER SHEET NUMBER		
▽ = 0	B-SIZE		SERIES				
		171972					

PLATING:	MATTE TIN	0.38 GOLD	0.75 GOLD
CIRCUIT SIZE	MATERIAL NUMBER	MATERIAL NUMBER	MATERIAL NUMBER
2	171972-0002	171972-0102	171972-0202
3	171972-0003	171972-0103	171972-0203
4	171972-0004	171972-0104	171972-0204
5	171972-0005	171972-0105	171972-0205
6	171972-0006	171972-0106	171972-0206
7	171972-0007	171972-0107	171972-0207
8	171972-0008	171972-0108	171972-0208
9	171972-0009	171972-0109	171972-0209
10	171972-0010	171972-0110	171972-0210
11	171972-0011	171972-0111	171972-0211
12	171972-0012	171972-0112	171972-0212
13	171972-0013	171972-0113	171972-0213
14	171972-0014	171972-0114	171972-0214
15	171972-0015	171972-0115	171972-0215
16	171972-0016	171972-0116	171972-0216
17	171972-0017	171972-0117	171972-0217
18	171972-0018	171972-0118	171972-0218
19	171972-0019	171972-0119	171972-0219
20	171972-0020	171972-0120	171972-0220
21	171972-0021	171972-0121	171972-0221
22	171972-0022	171972-0122	171972-0222
23	171972-0023	171972-0123	171972-0223
24	171972-0024	171972-0124	171972-0224
25	171972-0025	171972-0125	171972-0225

SYMBOLS	THIS DRAWING CONTAINS INFORMATION THAT IS PROPRIETARY TO MOLEX ELECTRONIC TECHNOLOGIES, LLC AND SHOULD NOT BE USED WITHOUT WRITTEN PERMISSION										
	DIMENSION UNITS		SCALE		CURRENT REV DESC: REV PER QUAL				<b>molex</b>		
	mm		1:1		EC NO: 174678						
	GENERAL TOLERANCES (UNLESS SPECIFIED)		DRWN: KSAMIEC 2018/03/30				SL VERTICAL HEADER W/LATCH W/PEGS				
	ANGULAR TOL ± 0.5°		CHK'D: MKIPPER 2018/04/09								
	4 PLACES ±		APPR: FSMITH 2018/04/11				PRODUCT CUSTOMER DRAWING				
	3 PLACES ±		INITIAL REVISION:				DOCUMENT NUMBER		DOC TYPE	DOC PART	REVISION
	2 PLACES ± 0.25		DRWN: MKIPPER 2016/05/05				1719720000-SD		PSD	000	C1
	1 PLACE ± 0.36		APPR: FSMITH 2016/07/15				MATERIAL NUMBER		CUSTOMER		SHEET NUMBER
	0 PLACES ±		DRAFT WHERE APPLICABLE MUST REMAIN WITHIN DIMENSIONS		THIRD ANGLE PROJECTION	DRAWING	SERIES	SEE CHART	GENERAL MARKET	2 OF 2	

DOCUMENT STATUS	P1	RELEASE DATE	2018/04/11	17:48:37
-----------------	----	--------------	------------	----------