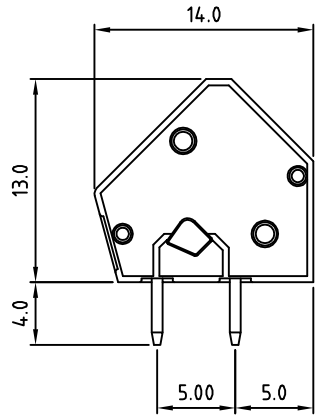
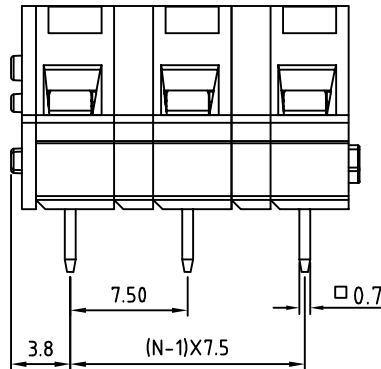
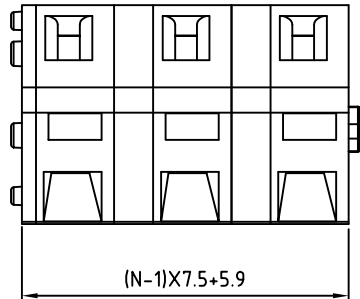


SIGN	DATE	DESCRIPTION	APPROVER
		<i>THIS IS CAD DRAWING, DO NOT REVISE MANUALLY!!!</i>	



- Material**
- Terminal body (Contact pin): Brass
 - Wire guard: Stainless steel
 - Surface of solder tail: Tin plated
 - Insulator (housing): Thermoplastic (UL94V-0)
- Electrical**
- Voltage rating: 300VAC
 - Current rating: 15A
 - Wire range:
 - Solid wire(AWG): 12-28
 - Stranded wire(AWG): 12-28
 - Wire strip length: 6-7mm
 - Withstanding Voltage: 1.6KV
 - Operating temperature: -30°C to +105°C
 - Soldering temperature: 250°C±10°C/5 Sec
 - Safety approval: (ULus) Pending
- RoHS Compliant

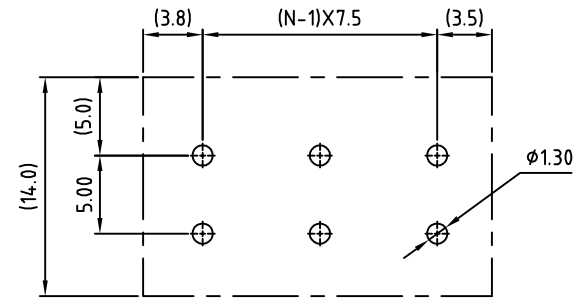
PART NUMBER:

OSTHGXX2080

- 01 1 Contact(basic block)
- 02 2 contacts
- etc. available in 1-24 contacts

- COLOR:**
- 0: Black
 - 5: Green
 - 6: Blue
 - 8: Grey (Standard)

N=Number of contacts



RECOMMENDED PCB. LAYOUT

THESE DRAWINGS AND SPECIFICATIONS ARE THE PROPERTY OF ON-SHORE TECHNOLOGY, INC. AND SHALL NOT BE REPRODUCED, COPIED OR USED IN ANY MANNER WITHOUT THE PRIOR WRITTEN CONSENT OF ON-SHORE TECHNOLOGY, INC.



TITLE		OSTHG 7.5mm Series				
PART NO.	OSTHGXX2080	DWG NO.	OSTHGXX2080.DWG			
APPROVED	CHECKED	DESIGNED	DRAWN	CUST NO.	Tolerance	
Shi jun 2006.11.01	Marvin 2006.11.01	Marvin 2006.11.01	Marvin 2006.11.01		UNIT: mm	X. ±0.50
					SCALE: NONE	X.X ±0.30
					REV: D	X.XX ±0.10
					SHEET: 01/01	X° ±1°