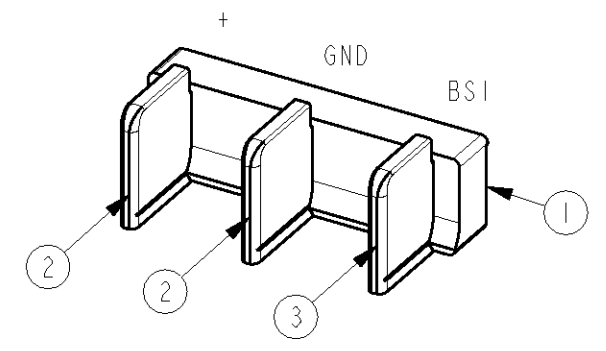
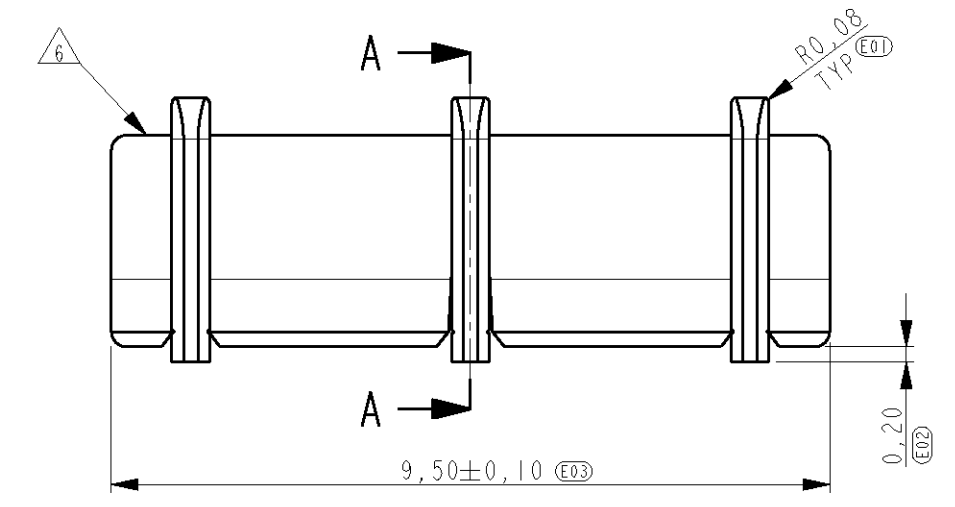
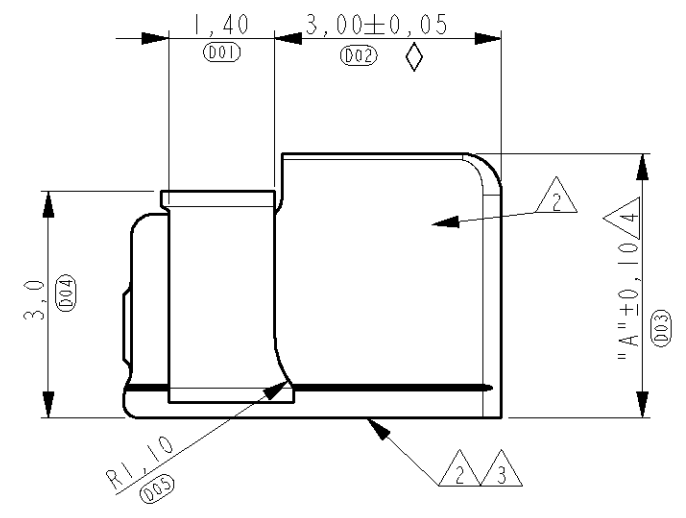
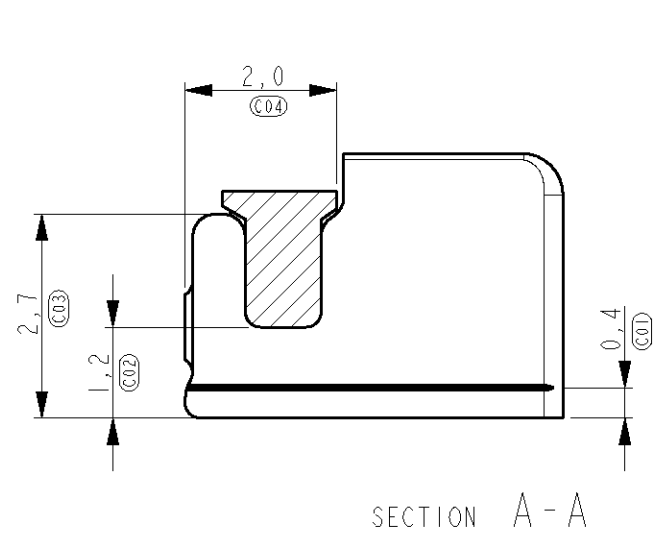
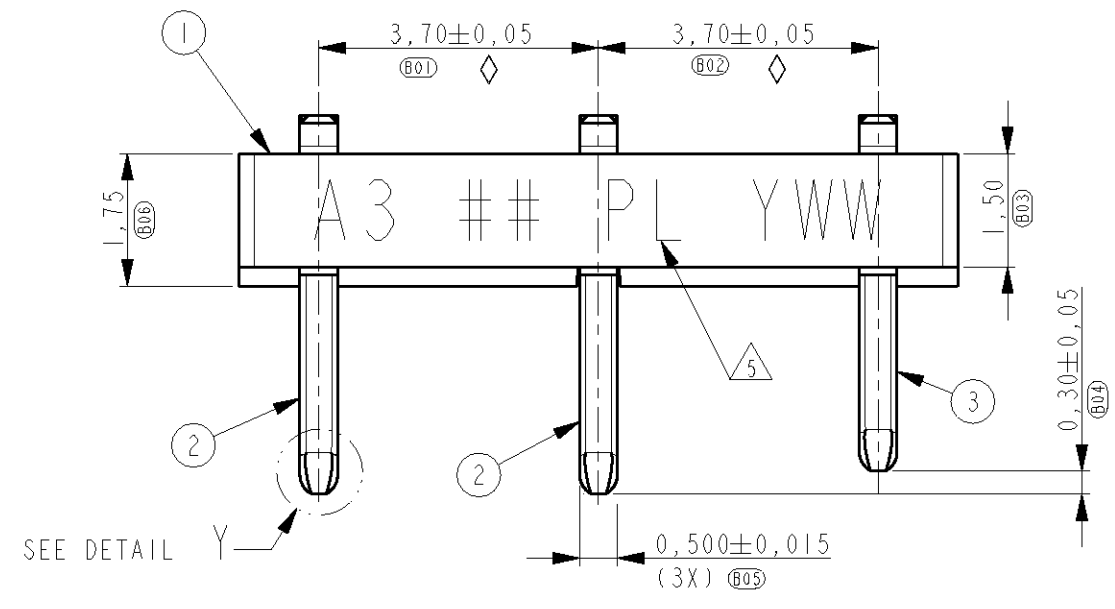
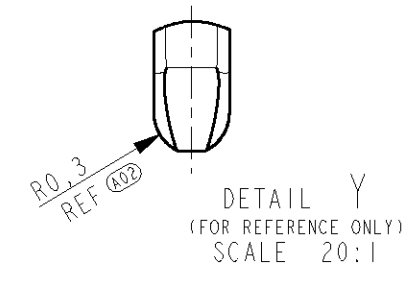


THIS DRAWING IS UNPUBLISHED. RELEASED FOR PUBLICATION
 © COPYRIGHT - BY TYCO ELECTRONICS CORPORATION. ALL RIGHTS RESERVED.

LOC	DIST	REVISIONS					
		P	LTR	DESCRIPTION	DATE	DWN	APVD
H	-		G	ECR-08-016228	11SEP2008	PW	DH

- NOTES:
- 1 DRAWING REPRESENTS PART VERSION "A3".
 - 2 PLATING:
 1,2µm MIN. NICKEL ALL OVER
 0,8µm MIN. GOLD ON CONTACT AREA
 0,1µm - 0,3µm GOLD ON SOLDER AREA
 - 3 COPLANARITY OF SOLDER SURFACES 0,08 MAX.
 - 4 DIMENSION DEPENDS ON DISTANCE BETWEEN PWB AND BATTERY, SEE TABLE ON SHEET 3.
 - 5 MARKING: VERSION (A3), PROCES ID (##), PRODUCTION LOCATION (PL: GD = GUANGDONG, IN = INDIA), PRODUCTION DATE (YWW, YEAR AND WEEK).
 - 6 MARKING: CAVITY ID.

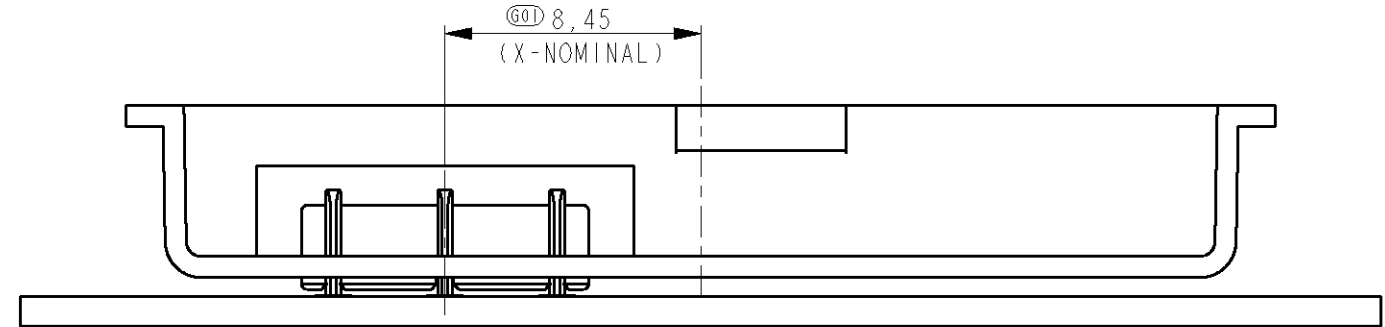
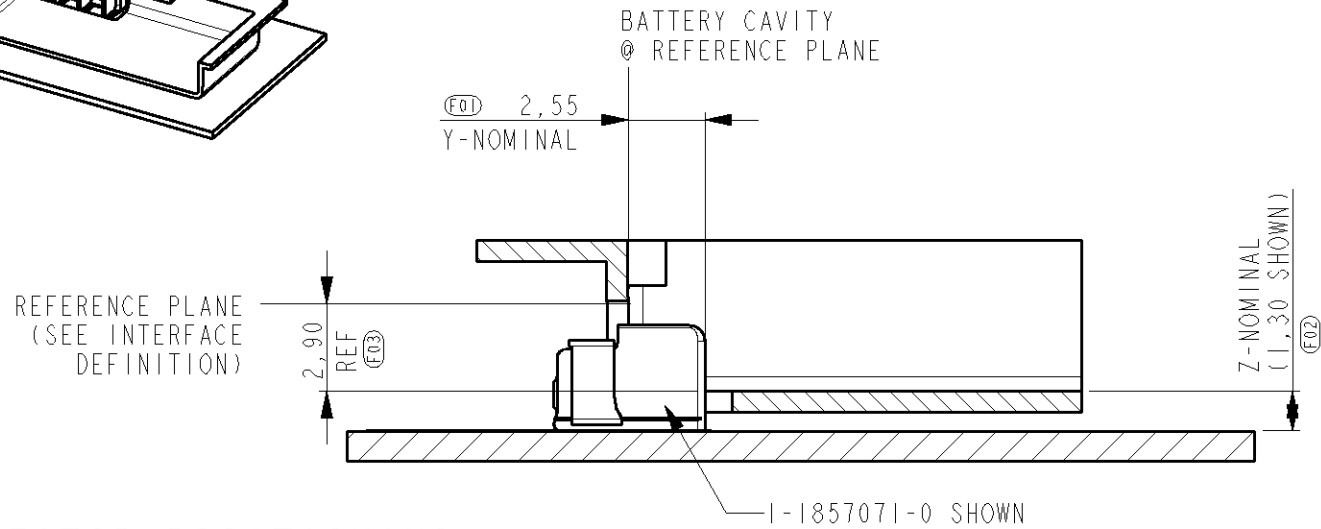
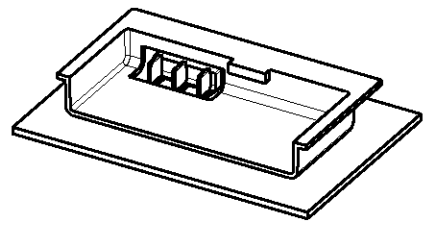


ITEM NO.	DESCRIPTION	MATERIAL	FINISH
3	CONTACT, FIRST BREAK	COPPER ALLOY	GOLD PLATED
2	CONTACT, LAST BREAK	COPPER ALLOY	GOLD PLATED
1	HOUSING	PLASTIC, GF	-

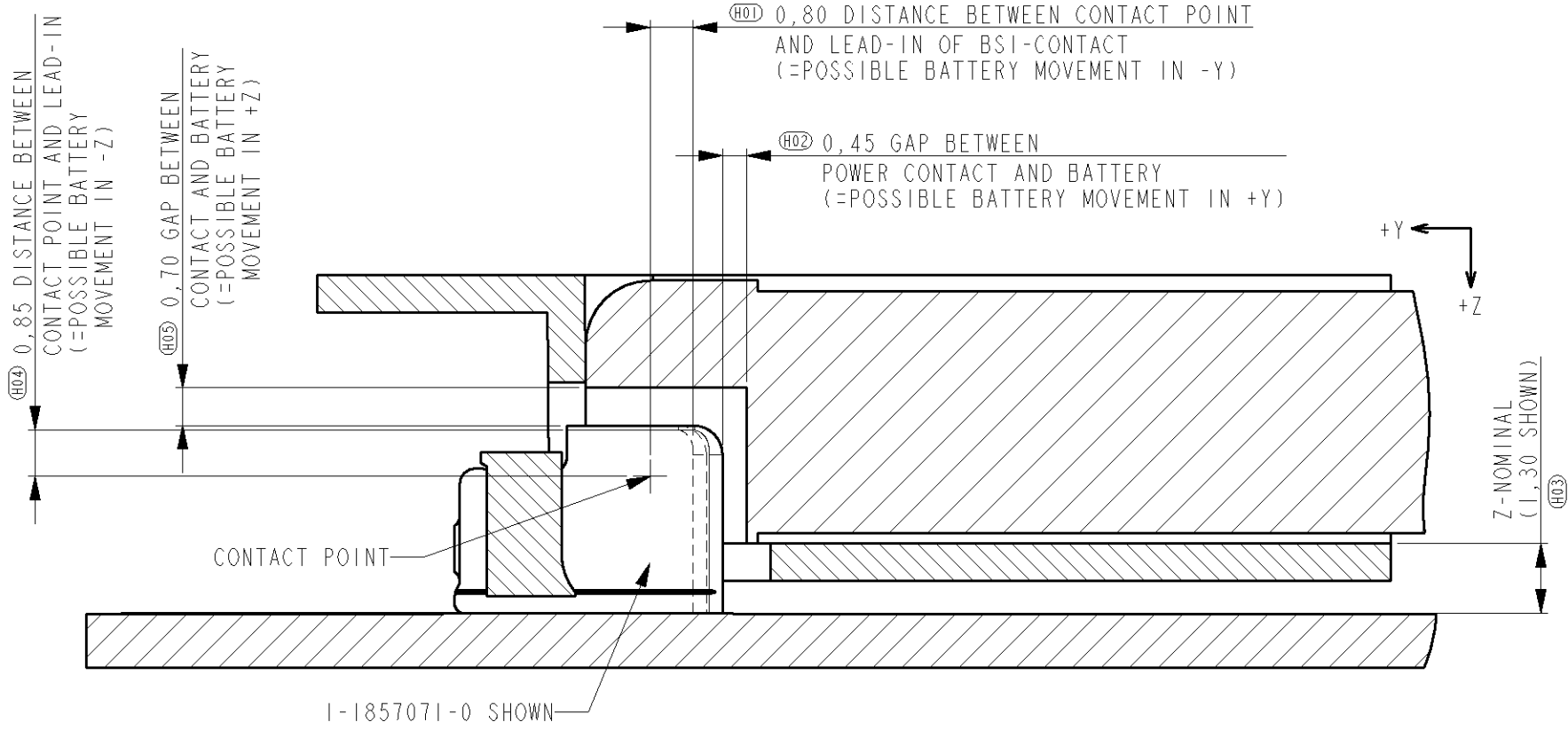
THIS DRAWING IS A CONTROLLED DOCUMENT FOR TYCO ELECTRONICS CORPORATION IT IS SUBJECT TO CHANGE AND THE CONTROLLING ENGINEERING ORGANIZATION SHOULD BE CONTACTED FOR THE LATEST REVISION.		DWN 15 APR 2005 J. Tuin CHK 15 APR 2005 J. Tuin APVD 15 APR 2005 D. Halberstadt		Tyco Electronics TYCO ELECTRONICS NEDERLAND B.V. 's-HERTOGENBOSCH, THE NETHERLANDS	
DIMENSIONS: mm		TOLERANCES UNLESS OTHERWISE SPECIFIED: 0 PLC ±- 1 PLC ±0,2 2 PLC ±0,1 3 PLC ±- 4 PLC ±- ANGLES ±-		NAME PLUG CONNECTOR LOW, 3 POSITION BATTERY BLOCK	
MATERIAL -		FINISH -		PRODUCT SPEC 108-19276 APPLICATION SPEC 114-19088 WEIGHT -	
CUSTOMER DRAWING				SIZE A3 CAGE CODE 00779 DRAWING NO C=1857071 RESTRICTED TO -	
SCALE 10:1				SHEET 1 OF 5 REV G	

THIS DRAWING IS UNPUBLISHED. RELEASED FOR PUBLICATION
 © COPYRIGHT - BY TYCO ELECTRONICS CORPORATION. ALL RIGHTS RESERVED.

LOC	DIST	REVISIONS			
P	LTR	DESCRIPTION	DATE	DWN	APVD
H	-	-	-	-	-
		SEE SHEET 1			



CONNECTOR POSITIONING



WORKING RANGE:
 (PERMITTED BATTERY MOVEMENT)

IN X-DIRECTION ±0,50 SYMMETRICAL

IN Y-DIRECTION 1,25 TOTAL
 IN -Y-DIRECTION 0,80
 (BATTERY LENGTH TOLERANCE, PHONE CASE TOLERANCE, ASSEMBLY TOLERANCE, PHONE FLEXIBILITY)
 IN +Y-DIRECTION 0,45
 (ASSEMBLY TOLERANCE, PHONE FLEXIBILITY)

IN Z-DIRECTION 1,55 TOTAL
 IN -Z-DIRECTION 0,85
 (BATTERY FRONT TOLERANCE, PHONE CASE TOLERANCE, PHONE FLEXIBILITY)
 IN +Z-DIRECTION 0,70
 (PHONE CASE TOLERANCE, PHONE FLEXIBILITY)

THESE VALUES APPLY IF Z-NOMINAL IS IN THE CENTER OF THE RANGE SPECIFIED FOR THE PLUG (AS SHOWN HERE).

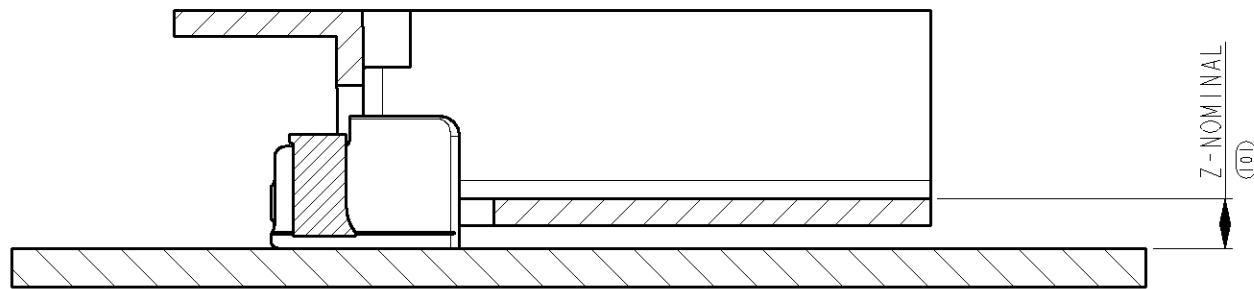
WORKING RANGE

SCALE 8:1

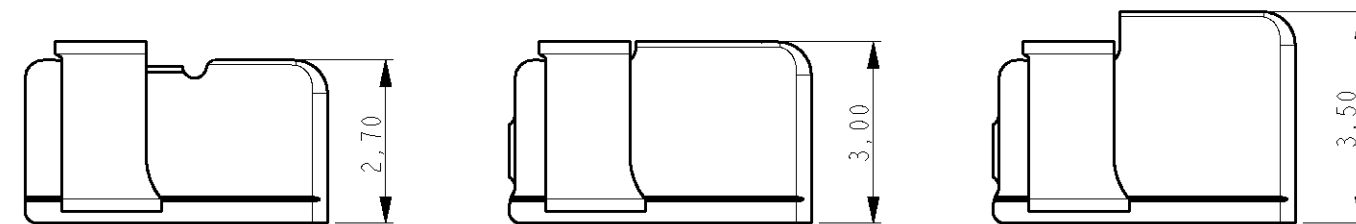
<small>THIS DRAWING IS A CONTROLLED DOCUMENT FOR TYCO ELECTRONICS CORPORATION IT IS SUBJECT TO CHANGE AND THE CONTROLLING ENGINEERING ORGANIZATION SHOULD BE CONTACTED FOR THE LATEST REVISION.</small>		DWN J. Tuin 15 APR 2005 CHK J. Tuin 15 APR 2005 APVD D. Halberstadt 15 APR 2005		Tyco Electronics TYCO ELECTRONICS NEDERLAND B.V. 's-HERTOGENBOSCH, THE NETHERLANDS	
DIMENSIONS: mm 		TOLERANCES UNLESS OTHERWISE SPECIFIED: 0 PLC ±- 1 PLC ±0,2 2 PLC ±0,1 3 PLC ±- 4 PLC ±- ANGLES ±-		NAME PLUG CONNECTOR LOW, 3 POSITION BATTERY BLOCK	
MATERIAL - FINISH -		PRODUCT SPEC 108-19276 APPLICATION SPEC 114-19088 WEIGHT -		SIZE A3 CAGE CODE 00779 DRAWING NO C-1857071 RESTRICTED TO -	
CUSTOMER DRAWING				SCALE 10:1 SHEET 2 OF 5 REV G	

THIS DRAWING IS UNPUBLISHED. RELEASED FOR PUBLICATION
 © COPYRIGHT - BY TYCO ELECTRONICS CORPORATION. ALL RIGHTS RESERVED.

LOC	DIST	REVISIONS				
P	LTR	DESCRIPTION	DATE	DWN	APVD	
H	-	-	SEE SHEET 1	-	-	



NMP CODE	PART NUMBER	Z-NOMINAL RANGE	DIMENSION "A"	MASS [mg]
5469657	0-1857071-1	=>0 (0,0 - 0,6)	2,70	209
5469655	0-1857071-5	>0,5 (0,6 - 1,0)	3,00	220
5469653	1-1857071-0	>1,0 (1,1 - 1,5)	3,50	238
△	(1-1705771-5)	>1,5 (1,6 - 2,0)	(4,00)	
△	(2-1705771-0)	>2,0 (2,1 - 2,5)	(4,50)	
△	(2-1705771-5)	>2,5 (2,6 - 3,0)	(5,00)	
△	(3-1705771-0)	>3,0 (3,1 - 3,5)	(5,50)	
△	(3-1705771-5)	>3,5 (3,6 - 4,0)	(6,00)	
△	(4-1705771-0)	>4,0 (4,1 - 4,5)	(6,50)	



0-1857071-1

0-1857071-5

1-1857071-0

PRODUCT SELECTION

NOTES:

△ FOR DETAILS SEE DRAWING 1705771.

<small>THIS DRAWING IS A CONTROLLED DOCUMENT FOR TYCO ELECTRONICS CORPORATION IT IS SUBJECT TO CHANGE AND THE CONTROLLING ENGINEERING ORGANIZATION SHOULD BE CONTACTED FOR THE LATEST REVISION.</small>		DWN J. Tuin 15 APR 2005 CHK J. Tuin 15 APR 2005 APVD D. Halberstadt 15 APR 2005		TYCO ELECTRONICS NEDERLAND B.V. 's-HERTOGENBOSCH, THE NETHERLANDS	
DIMENSIONS: mm 		TOLERANCES UNLESS OTHERWISE SPECIFIED: 0 PLC ± 1 PLC ±0,2 2 PLC ±0,1 3 PLC ± 4 PLC ± ANGLES ±		NAME PLUG CONNECTOR LOW, 3 POSITION BATTERY BLOCK	
MATERIAL -		FINISH -		PRODUCT SPEC 108-19276 APPLICATION SPEC 114-19088 WEIGHT -	
CUSTOMER DRAWING				SIZE A3 CAGE CODE 00779 DRAWING NO C=1857071	RESTRICTED TO -
				SCALE 10:1 SHEET 3 OF 5	REV G

4

3

2

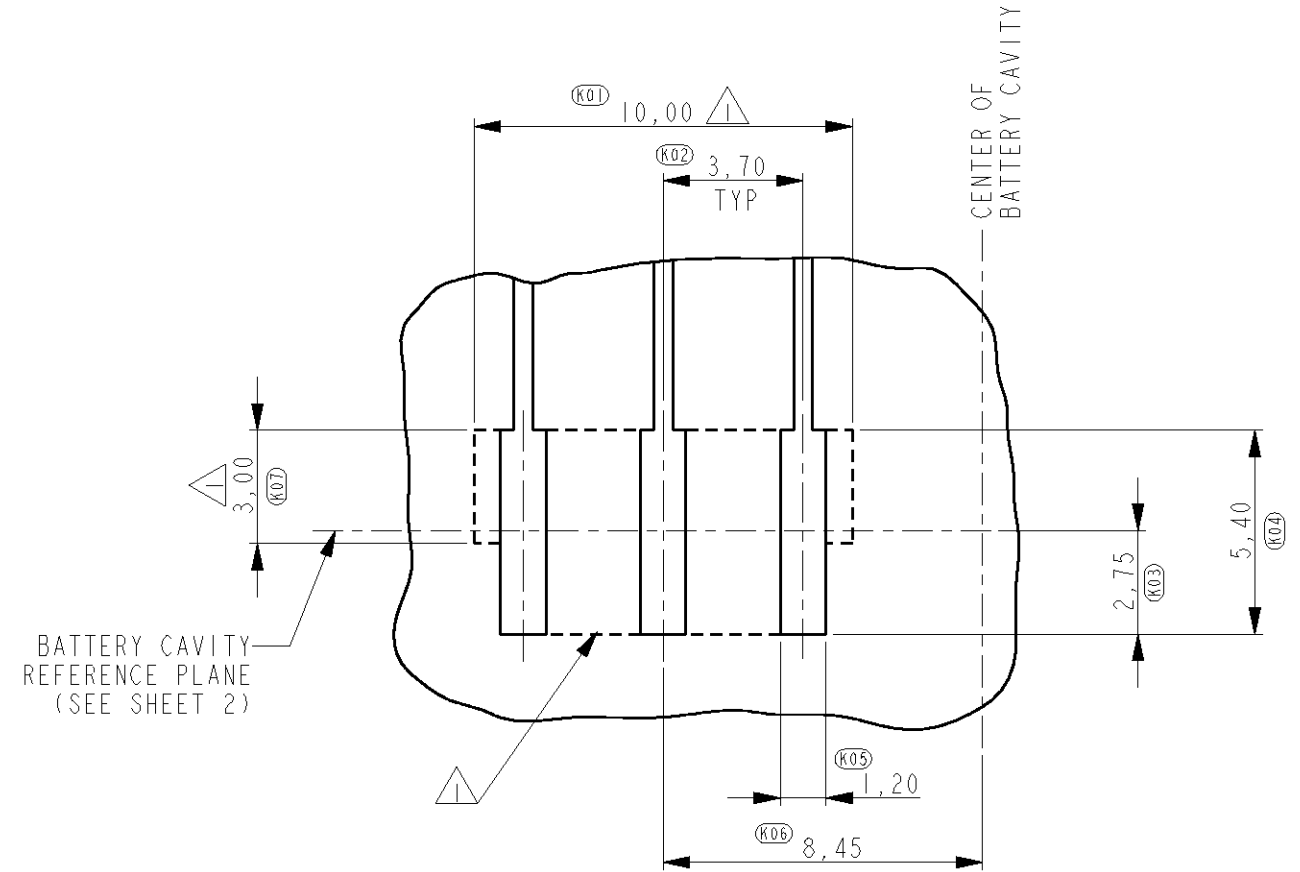
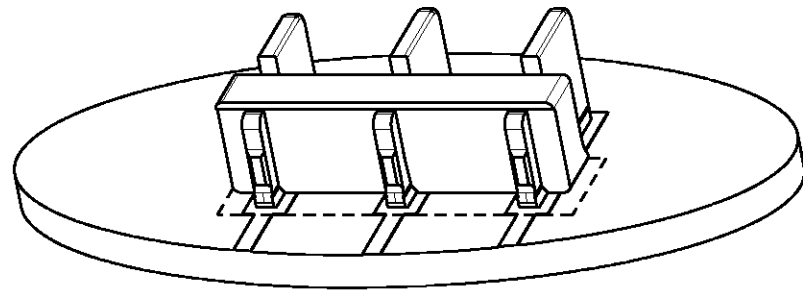
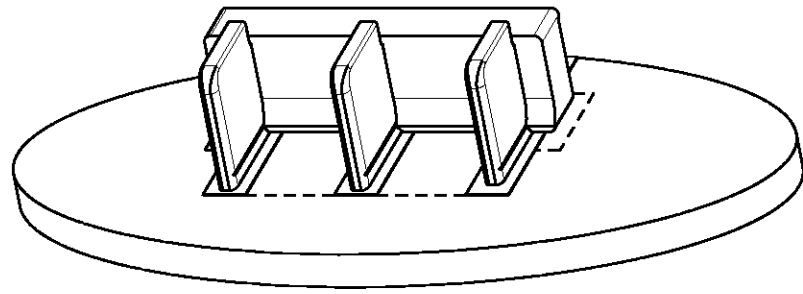
1

THIS DRAWING IS UNPUBLISHED.

RELEASED FOR PUBLICATION

© COPYRIGHT - BY TYCO ELECTRONICS CORPORATION. ALL RIGHTS RESERVED.

LOC	DIST	REVISIONS				
P	LTR	DESCRIPTION	DATE	DWN	APVD	
H	-	SEE SHEET 1	-	-	-	



NOTES:

△ AREA FREE OF SOLDER SCREEN.

<small>THIS DRAWING IS A CONTROLLED DOCUMENT FOR TYCO ELECTRONICS CORPORATION IT IS SUBJECT TO CHANGE AND THE CONTROLLING ENGINEERING ORGANIZATION SHOULD BE CONTACTED FOR THE LATEST REVISION.</small>		DWN J. Tuin 15 APR 2005 CHK J. Tuin 15 APR 2005 APVD D. Halberstadt 15 APR 2005		Tyco Electronics TYCO ELECTRONICS NEDERLAND B.V. 's-HERTOGENBOSCH, THE NETHERLANDS	
DIMENSIONS: mm		TOLERANCES UNLESS OTHERWISE SPECIFIED: 0 PLC ±- 1 PLC ±0,2 2 PLC ±0,1 3 PLC ±- 4 PLC ±- ANGLES ±-		NAME PLUG CONNECTOR LOW, 3 POSITION BATTERY BLOCK	
		PRODUCT SPEC 108-19276 APPLICATION SPEC 114-19088		SIZE A3 CAGE CODE 00779 DRAWING NO. C-1857071 RESTRICTED TO -	
MATERIAL - FINISH -		WEIGHT -		CUSTOMER DRAWING SCALE 10:1 SHEET 4 OF 5 REV G	

4

3

2

1

THIS DRAWING IS UNPUBLISHED.

RELEASED FOR PUBLICATION

© COPYRIGHT -

BY TYCO ELECTRONICS CORPORATION. ALL RIGHTS RESERVED.

LOC

DIST

REVISIONS

P

LTR

DESCRIPTION

DATE

DWN

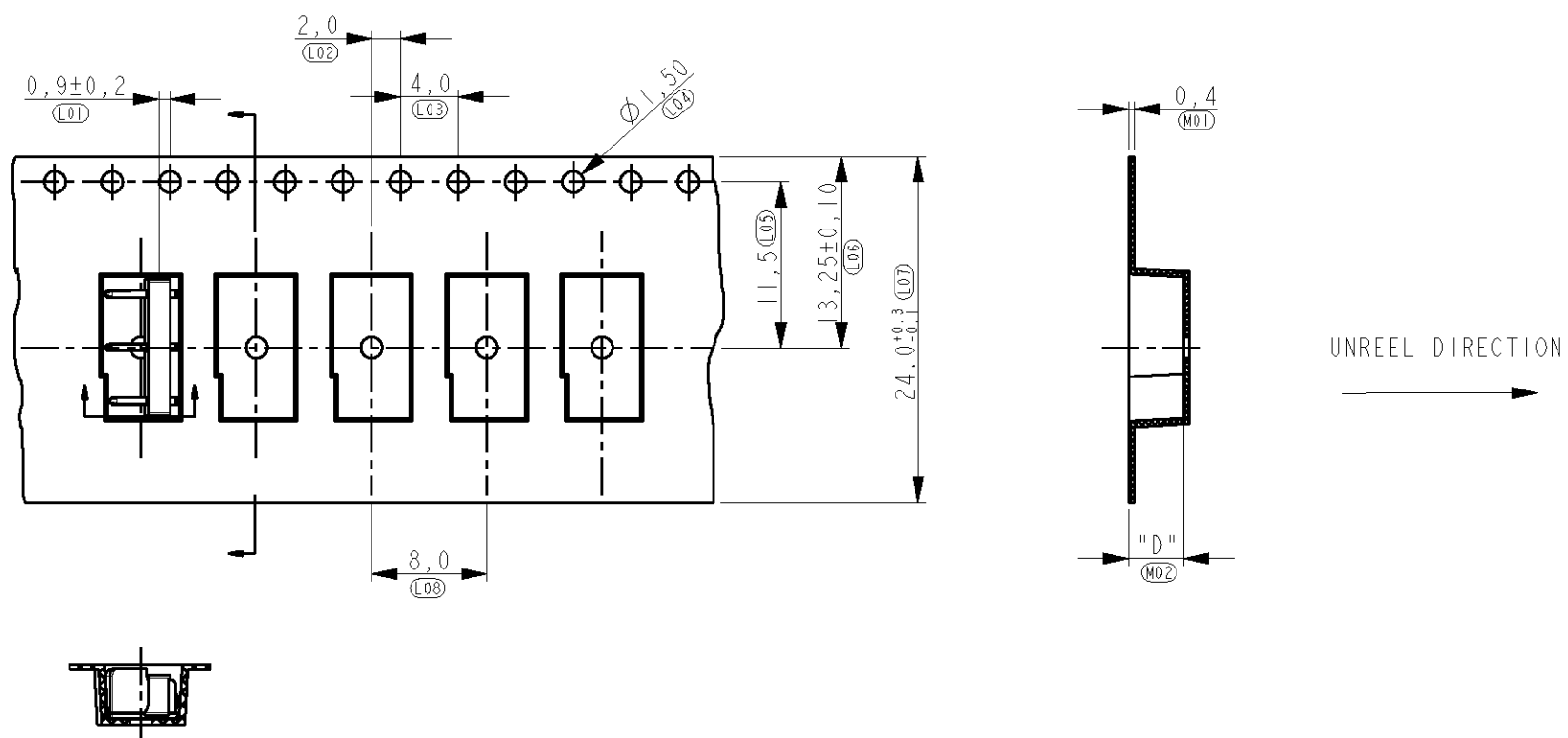
APVD

SEE SHEET 1

PART NUMBER	QUANTITY PER REEL	DIMENSION "D"
0-1857071-1	1800	3,8
0-1857071-5	1800	3,8
1-1857071-0	1800	3,8

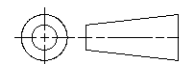
NOTES:

1 REEL DIMENSION: 330X101X24,4.

THIS DRAWING IS A CONTROLLED DOCUMENT FOR TYCO ELECTRONICS CORPORATION
IT IS SUBJECT TO CHANGE AND THE CONTROLLING ENGINEERING ORGANIZATION
SHOULD BE CONTACTED FOR THE LATEST REVISION.

DIMENSIONS:

mm



TOLERANCES UNLESS OTHERWISE SPECIFIED:

0 PLC	±-
1 PLC	±0,2
2 PLC	±0,1
3 PLC	±-
4 PLC	±-
ANGLES	±-

MATERIAL

-

FINISH

-

DWN 15 APR 2005

J. Tuin

CHK 15 APR 2005

J. Tuin

APVD 15 APR 2005

D. Halberstadt

PRODUCT SPEC

108-19276

APPLICATION SPEC

114-19088

WEIGHT

-

CUSTOMER DRAWING



TYCO ELECTRONICS NEDERLAND B.V.

's-HERTOGENBOSCH, THE NETHERLANDS

NAME

PLUG CONNECTOR
LOW, 3 POSITION
BATTERY BLOCK

SIZE

A3

CAGE CODE

00779

DRAWING NO

C=1857071

RESTRICTED TO

-

SCALE 10:1

SHEET 5 OF 5

REV G