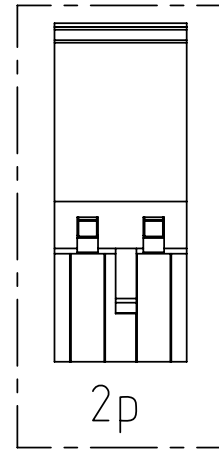
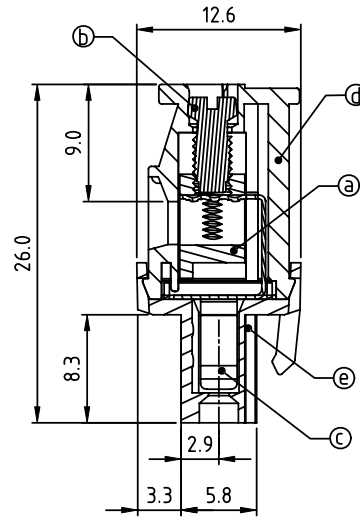
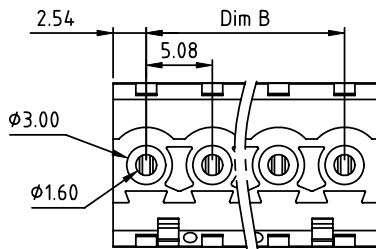
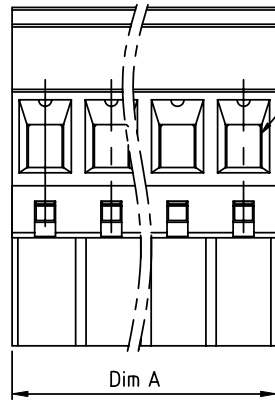
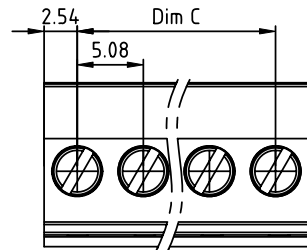


PRODUCT NUMBER	PITCH
TSxx51xB00J0G	5.08 mm



Material

- Item ① Clamp: Brass(CuZn), Ni plating
- Item ② Terminal screw: Steel Zinc plating "-" slot type
- Item ③ Female contact: PhBz, Tin plated
- Item ④ Top body: Thermoplastic (UL94V-0)
- Item ⑤ Bottom body: Thermoplastic (UL94V-0)

Electrical cULus/VDE/TUV

- Voltage rating: 300VAC/300VAC/300VAC
- Current rating: 15A/17A/15A
- Wire range: 2.5mm² / 0.34-2.5mm²
- Solid wire(AWG): 12-24
- Stranded wire(AWG): 12-24
- Torque: 3.5Lb-In./0.5Nm/0.4Nm
- Screw: M3
- Wire strip length: 6-7mm
- Withstanding Voltage: 1.6KV/2.5KV/2.5KV
- Operating temperature: -40°C to +115°C
- Safety approval:

N = Number of poles
Dim A=Nx5.08
Dim B=(N-1)x5.08
Dim C=(N-1)x5.08

poles	Tolerance
2-6p	±0.15
7-12p	±0.25
13-18p	±0.30
19-24p	±0.40

PART NO.: TS xx 51 x B 00J0 G

Solid block	0	Black (RAL9005)	RoHS compliant (lead<4%) In copper Alloy
No. of poles	2	Red (RAL3001/D)	
02 2 poles	3	Orange(RAL2011/P)	
03 3 poles	4	Yellow(RAL1018/A)	
...	...	5 Green(RAL6018/T)	
24 24 poles	6	Blue (RAL5015/A)	
	8	Grey(RAL7035/D)	
	9	White(RAL1102)	
	C	Green(RAL6018/U)	

mat'l. code		surface ASME Y14.5	tolerance ASME Y14.5	projection	product family
ltr ecn no dr date		tolerances unless otherwise specified			TERMINAL BLOCK
		angles	X.±0.5	MM	title
		±1°	X.X±0.3		TERMINAL BLOCK
			X.XX±0.1	scale	PLUGGABLE PLUG,HOOK ON BACK SIDE,WITHOUT FLANGE
		dr	EVIN ZHONG 041914		dwg no
		enr	EVIN ZHONG 041914		sheet 1 of 1
		chr	HANKE FENG 041914		size
		appd	SHI JUN 041914		A4
sheet index	revision sheet	A	1		type CUSTOMER Drawing