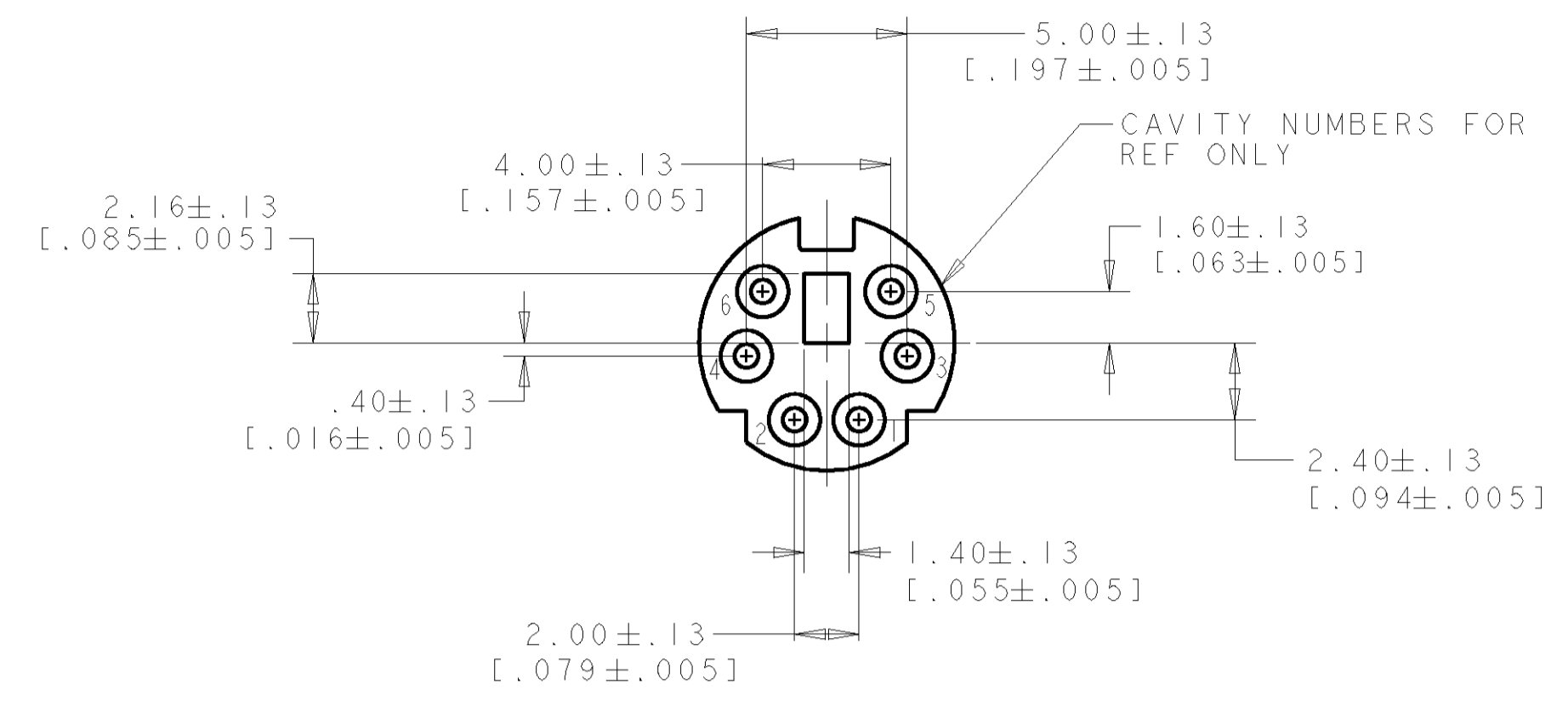
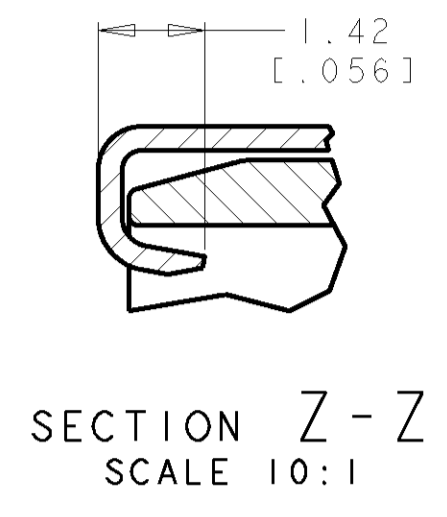
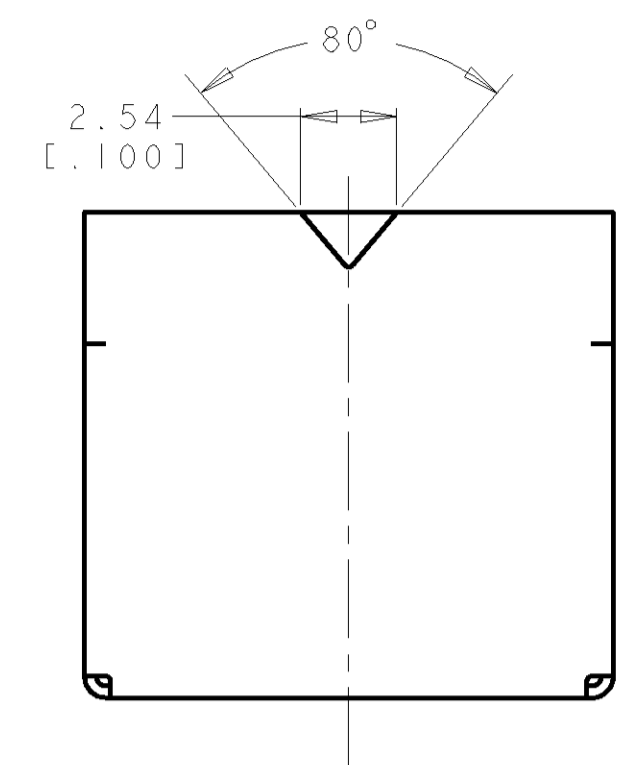
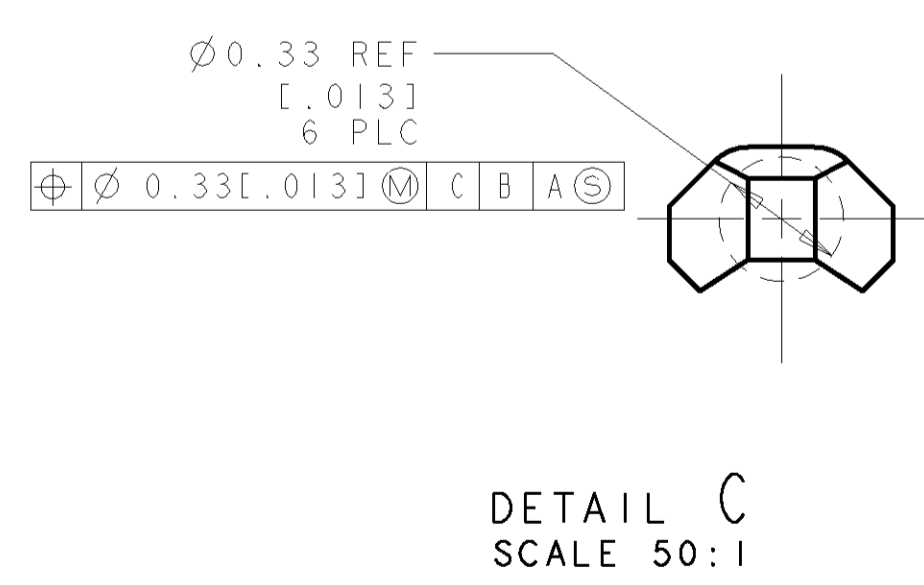
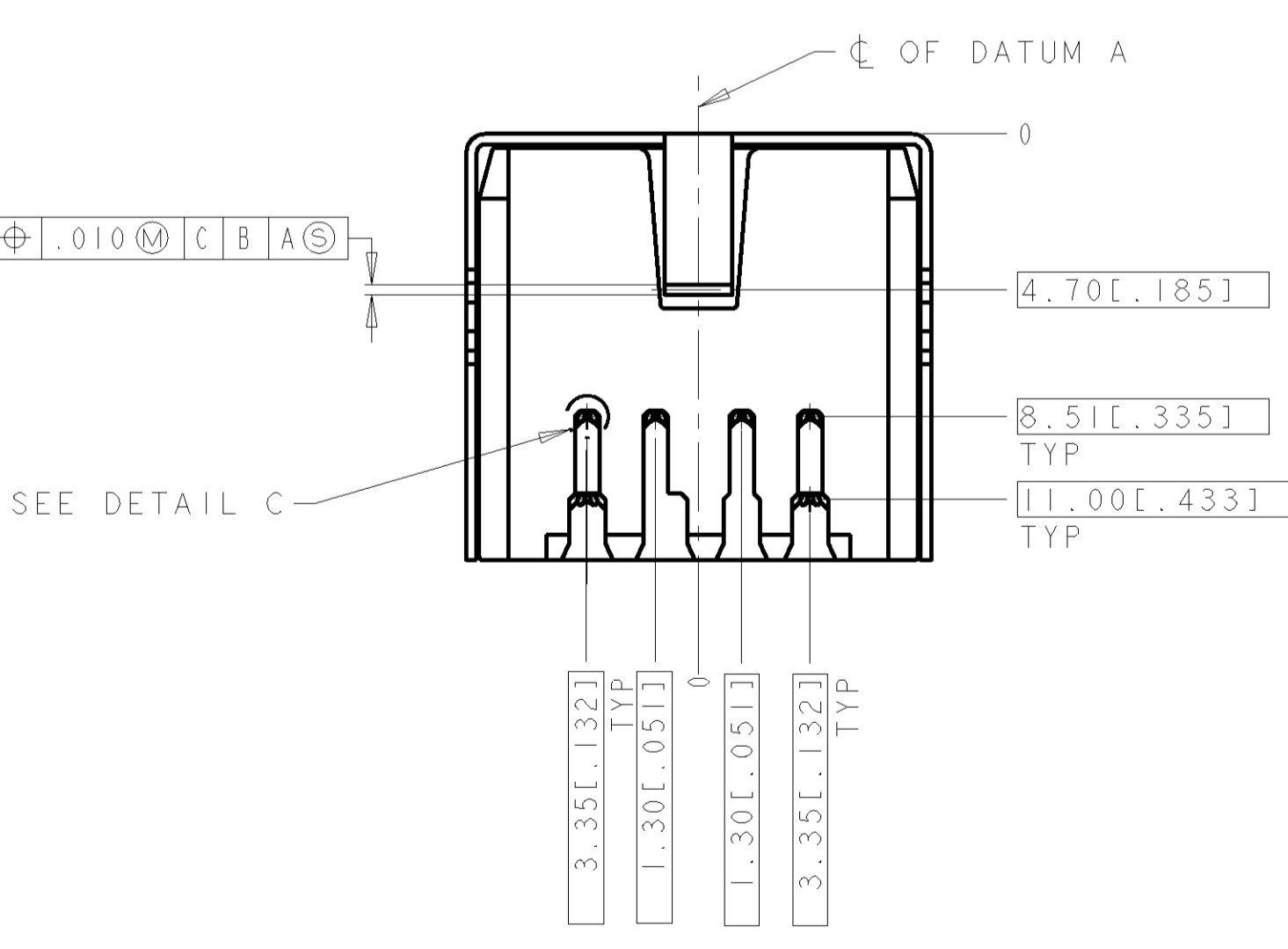
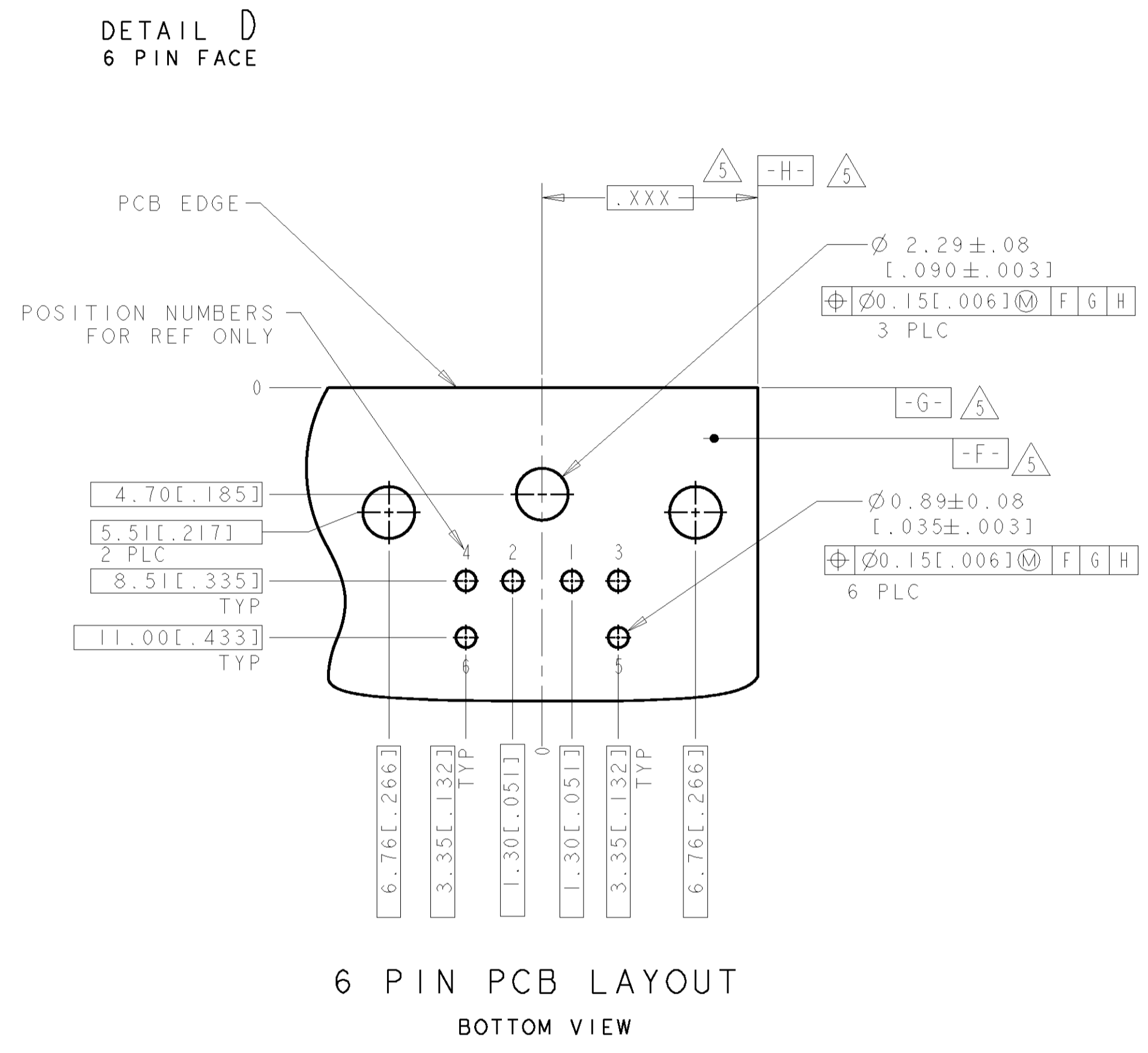
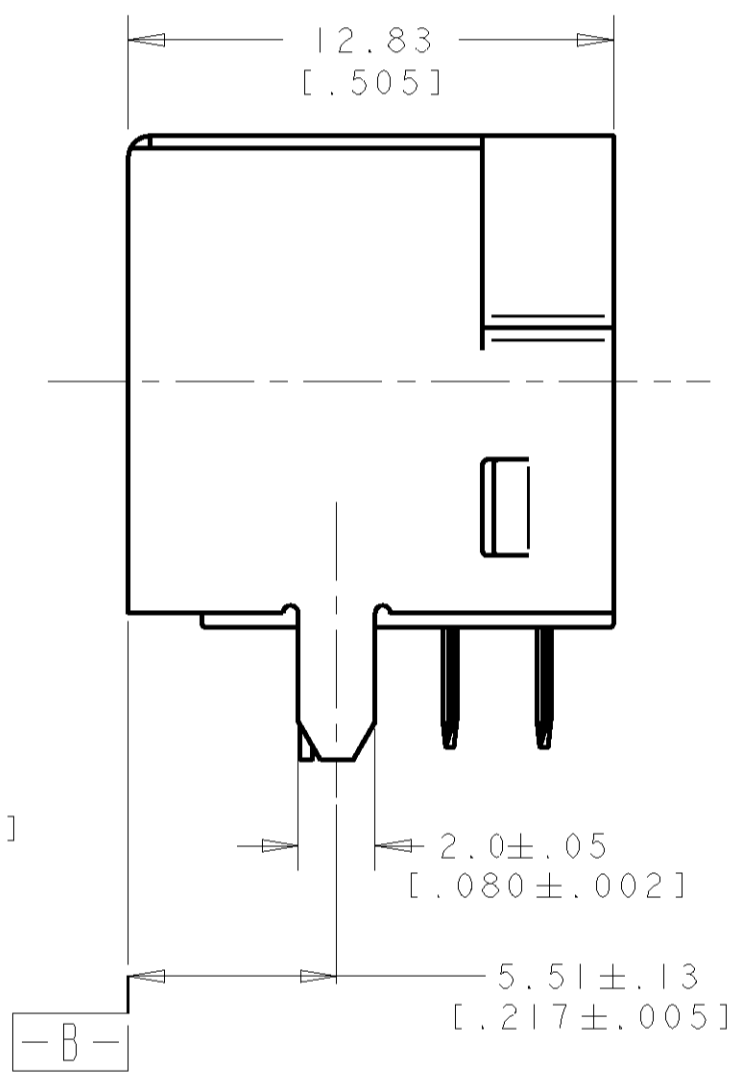
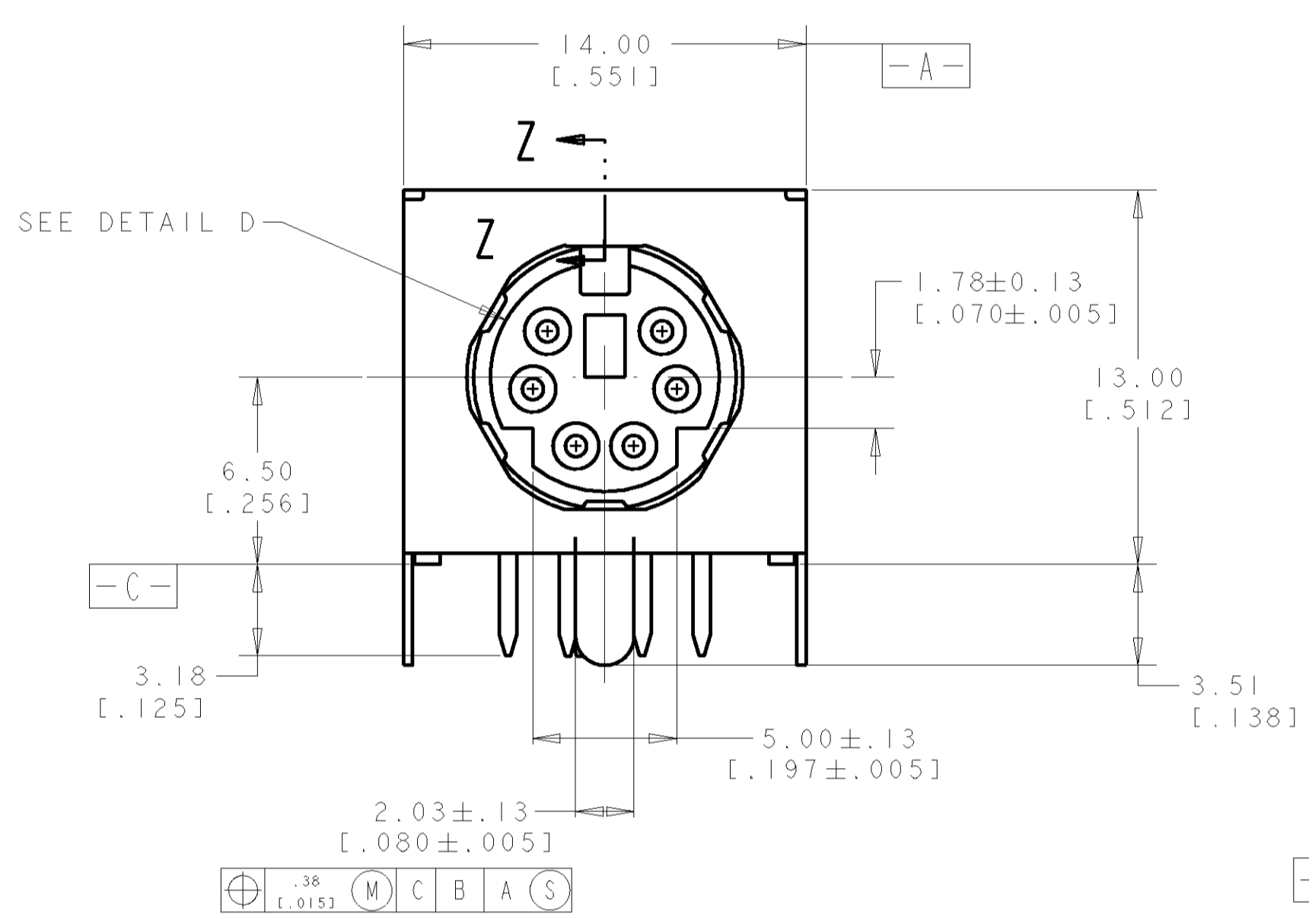


LOC	DIST	REVISIONS			
F	LTR	DESCRIPTION	DATE	DNM	APRD
0		NPR FPD0-0340-04	4JAN05	LWY	LSF



- ⚠ RECEPTACLE CONTACTS: COPPER ALLOY.
RECEPTACLE SHIELD: COPPER ALLOY.
HOUSING: THERMOPLASTIC, BLACK, 94V-0 RATED.
- ⚠ PLATING:
RECEPTACLE CONTACTS - GOLD PLATED .00076 MIN [0.00030 MIN] THICK ON MATING END, MATTE-TIN PLATED .0030 MIN [0.00120 MIN] THICK ON SOLDER TAIL ALL OVER .0013 MIN [0.00050 MIN] THICK NICKEL.
- ⚠ PLATING:
SHIELD: PRE-TIN PLATED
- 4. RECEPTACLE ASSEMBLY MATES WITH 6 PIN 9.00±.10 [0.354±.004] DIAMETER PLUG.
- ⚠ DATUMS AND BASIC DIMENSION SUPPLIED BY CUSTOMER.



THIS DRAWING IS A CONTROLLED DOCUMENT FOR AMP INCORPORATED. ALL DIMENSIONS SHALL BE TO THE DIMENSIONS OF THE LATEST REVISION. ORGANIZATION SHOULD BE CONTACTED FOR THE LATEST REVISION.		DNM: WYLEE 04JAN2005	Tyco Electronics Singapore Pte. Ltd.
DIMENSIONS: mm [INCHES]		CHK: SF LEONG	
TOLERANCES UNLESS OTHERWISE SPECIFIED:		APRD: SF LEONG	NAME: RECEPTACLE ASSY, 6 POS, RIGHT ANGLE, MINIATURE CIRCULAR DIN
0 PLC ±		PRODUCT SPEC: 108-1225	
1 PLC ±		APPLICATION SPEC: -	SIZE: A1 CAGE CODE: 00779 DRAWING NO: 5749266
2 PLC ±		WEIGHT: -	
3 PLC ±0.38 [0.015]		CUSTOMER DRAWING	SCALE: 5:1 SHEET 1 OF 1 REV 0
4 PLC ±			
5 PLC ±			
6 PLC ±			
ANGLES: ±0°30'			
FINISH: ⚠			