

2

1

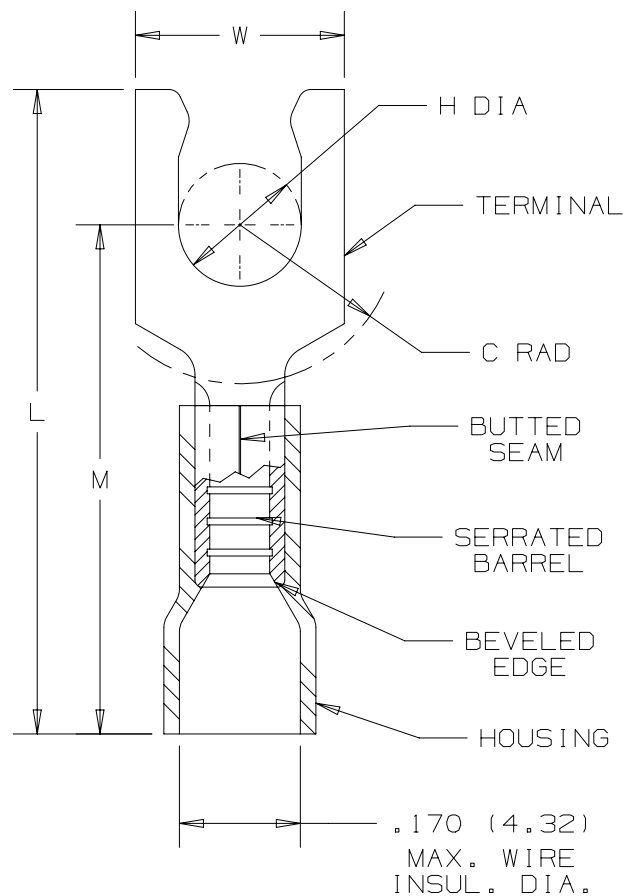
THIS COPY IS PROVIDED ON A RESTRICTED BASIS AND IS NOT TO BE USED IN ANY WAY DETRIMENTAL TO THE INTERESTS OF PANDUIT CORP.

PANDUIT PART NUMBER	STUD SIZE	DIMENSIONS - in.					TOOLS
		L ± .03	W ± .01	C ± .02	M ± .03	H ± .01	
EV14-6LFB	#6	.90 (22.86)	.25 (6.35)	.22 (5.59)	.68 (17.27)	.14 (3.56)	*CT-100A CT-600-A (CT-500CH) CT-600-A (CT-550CH) CT-1550 CT-1551 CT-2500 (CT-2550CH)
EV14-8LFB	#8	.97 (24.64)	.29 (7.37)	.25 (6.35)	.73 (18.54)	.16 (4.06)	
EV14-10LFB	#10	.97 (24.64)	.33 (8.38)	.25 (6.35)	.73 (18.54)	.19 (4.83)	

*CT-100A, 167°F (75°C) MAX TEMP. RATING

NOTES:

- UL LISTED AND CSA CERTIFIED FOR:
 - #16-14 AWG SOLID OR STRANDED COPPER WIRE
 - 221°F (105°C) MAX TEMP. RATING
 - 600V MAX. BLDG WIRE
(1000 V MAX. IN SIGNS, FIXTURES & LUMINARIES)
- MATERIAL:
 - STAMPING - .032" THK, COPPER
TIN PLATED
 - HOUSING - VINYL, BLUE
 - SLEEVE - BRASS, TIN PLATED
- WIRE STRIP LENGTH: 5/16" $\begin{matrix} +1/32 \\ -0 \end{matrix}$ [7.9mm $\begin{matrix} +0.8 \\ -0 \end{matrix}$]
- SEE WWW.PANDUIT.COM FOR PACKAGE QUANTITIES
- DIMENSIONS IN BRACKETS ARE IN MILLIMETERS



00	2/18	JHNU	TMR	RGB	RELEASED		00123SH	
REV	DATE	BY	CHK	APR	DESCRIPTION		ECN	

TITLE								
STRONGHOLD LOCKING FORK TERMINAL VINYL INSULATED, BUTTED SEAM #16-14 AWG CUSTOMER DRAWING								
ITEM REVISION NAME								
00123SHU/00								
DATASET FILE NAME								
00123SHU/00								
UNLESS OTHERWISE SPECIFIED, DIMENSIONAL TOLERANCES ARE: IN (mm)								
.X ± .XXX ± .XX ± ANGLES ±								
THIRD ANGLE PROJECTION								
MATERIAL: SEE NOTES								
DRAWING NUMBER: SH41296								
DRAWN BY	DATE	CHK	SCALE					
JHNU	2/18	TMR	NONE					
SHT 1 OF 1			SIZE					
			A					

2

1

D1101000DA/16