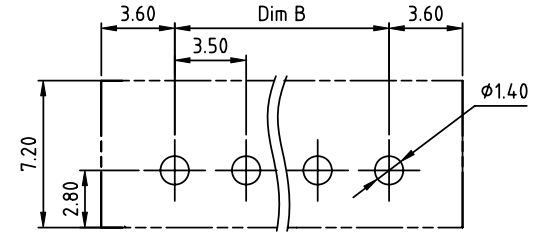
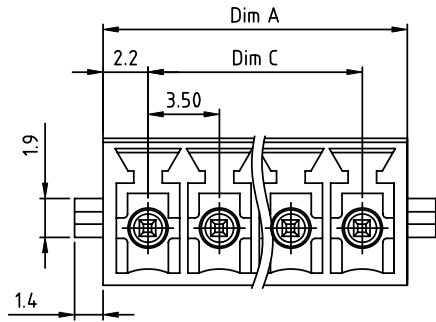
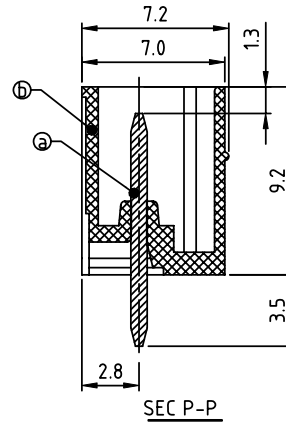
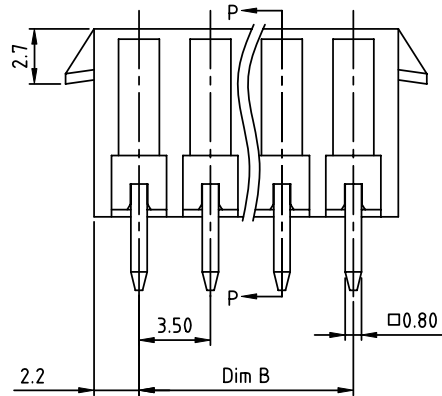


PRODUCT NUMBER	PITCH
OQxx12x003J0G	3.50 mm



RECOMMENDED P.C.B LAYOUT  
TOP VIEW



Material:

- Item ① Male contact pin: Copper Tin plated
- Item ② Terminal housing: Thermoplastic (UL94V-0)

- Electrical: cULus /VDE
- Voltage rating: 300V/300V
  - Current rating: 10A/10.5A
  - Withstanding Voltage: 1.6 KV/2.5KV
  - Operating temperature: -40°C to +115°C
  - Soldering temperature: 260°C±5°C/5 Sec
  - Safety Approval:

DIMENSION

Dim A	(N-1)×3.5+4.4
Dim B&C	(N-1)×3.5

N= NUMBER OF POLES

Poles	Tolerance
2P-6P	±0.15
7P-12P	±0.20
13P-18P	±0.25
19P-24P	±0.30

PART NO.: OQ xx 1 2 x 0 03J0 G

No. of poles	Body Color	RoHS compliant
02 2 poles	0 Black (RAL9005)	(lead<4%)
03 3 poles	2 Red (RAL3001/D)	In copper Alloy
...	3 Orange(RAL2011/P)	
...	4 Yellow(RAL1018/A)	
24 24 poles	5 Green(RAL6018/T)	
	6 Blue (RAL5015/A)	
	8 Grey(RAL7035/D)	
	9 White(RAL1102)	
	C Green(RAL6018/U)	

mat'l. code		surface ASME Y14.5	tolerance ASME Y14.5	projection	product family TERMINAL BLOCK
ltr	ecn no	dr	date	 MM scale	title TERMINAL BLOCK PLUGGABLE SOCKET, WITH LATCH, VERTICAL
					sheet 1 of 1 size A4 dwg no OQxx12x003J0G type CUSTOMER Drawing
sheet index	revision sheet	A	1		