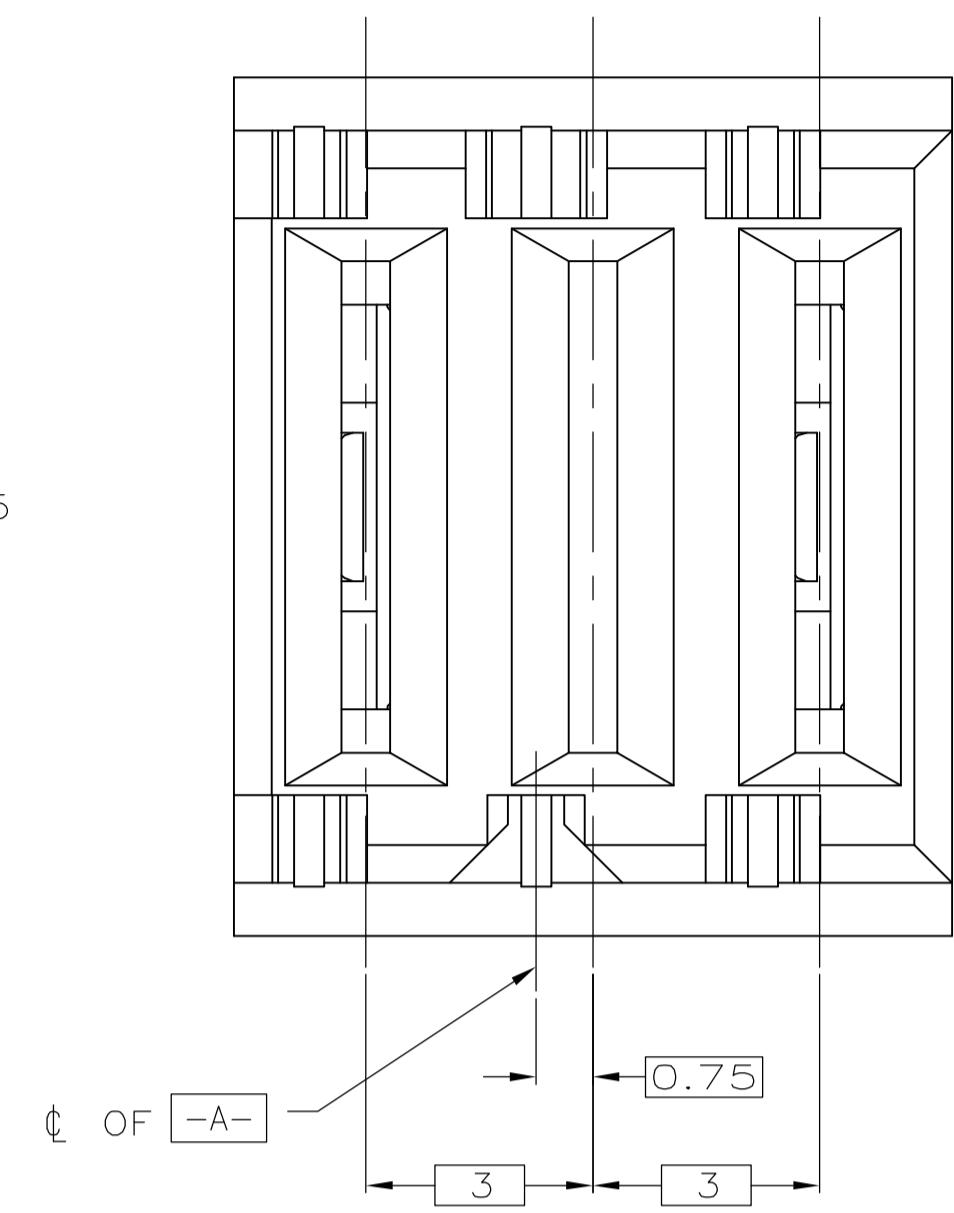
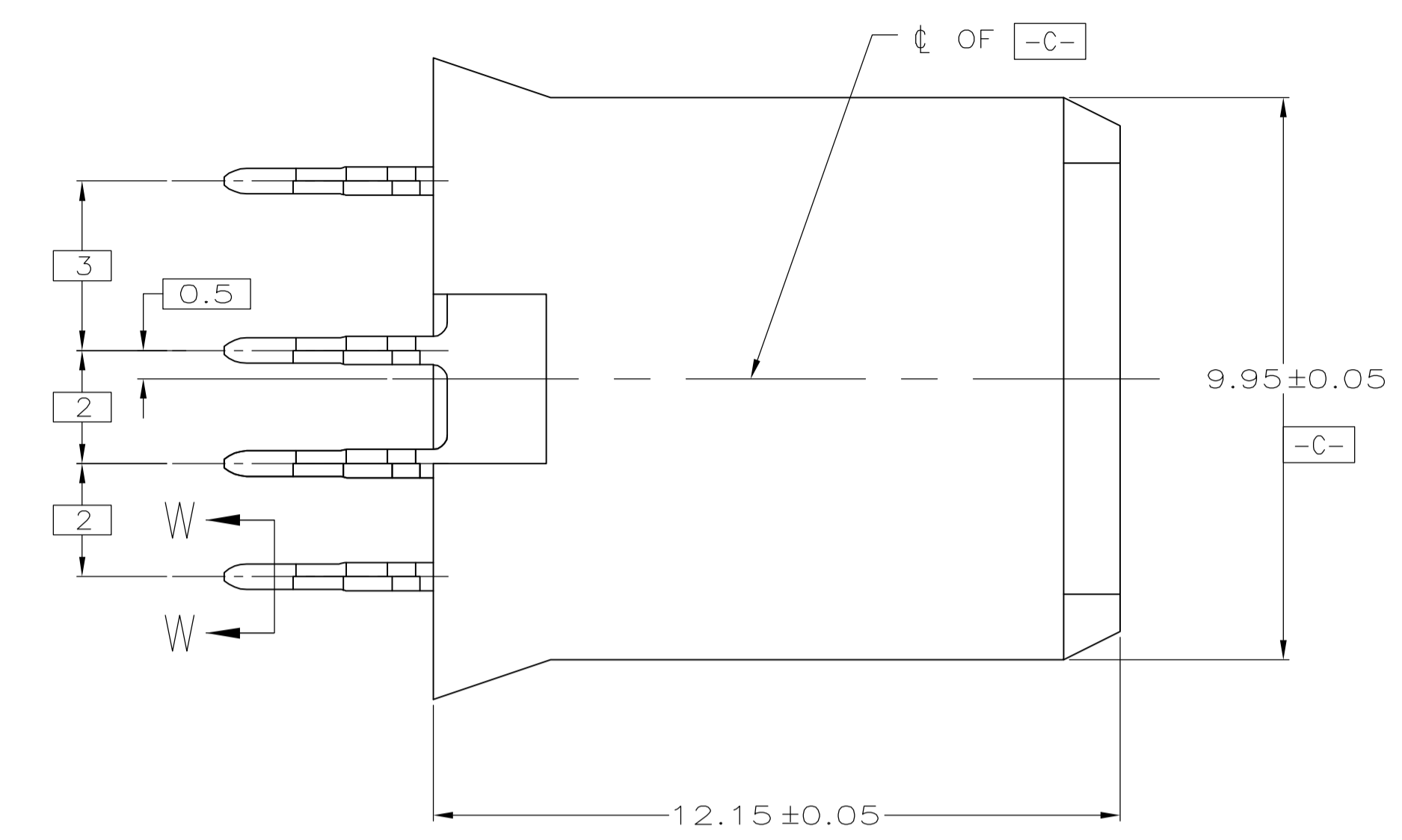
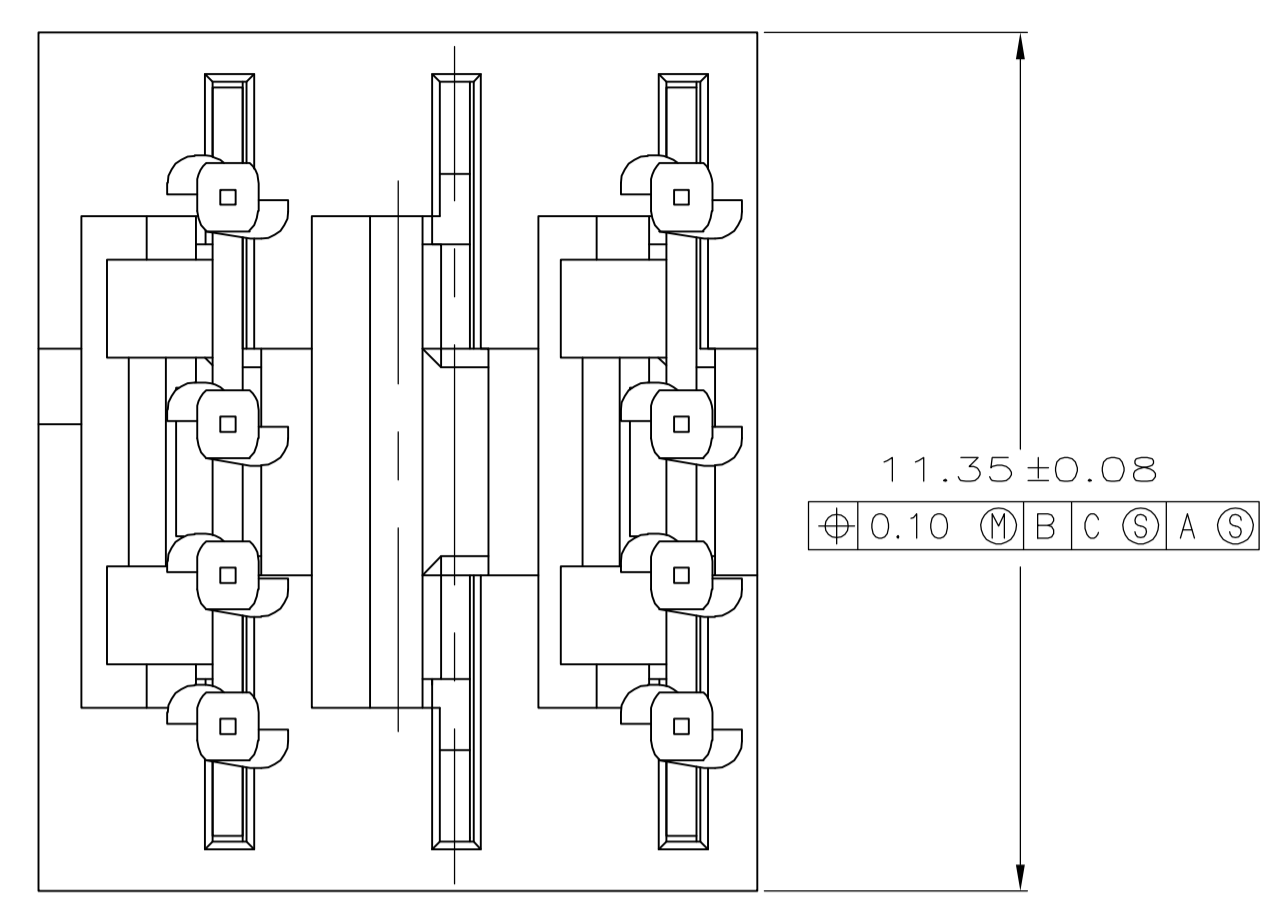
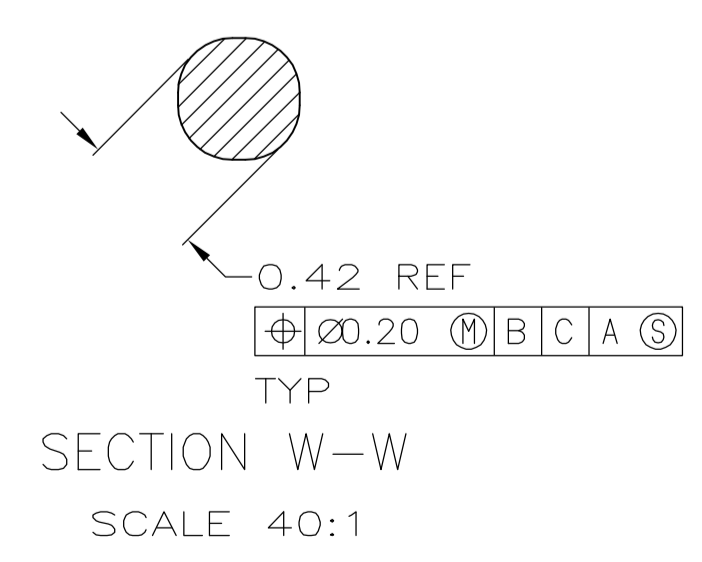
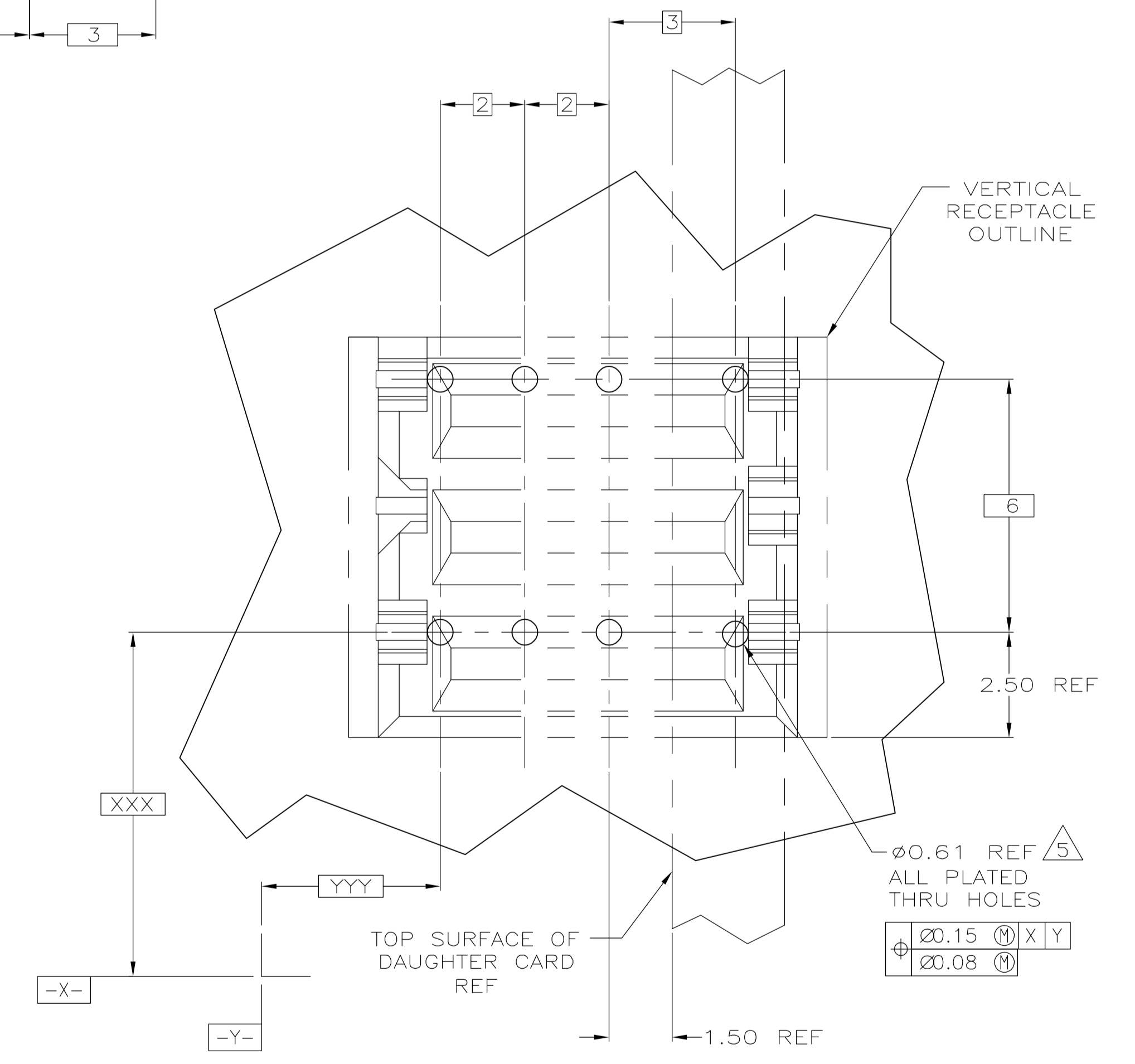
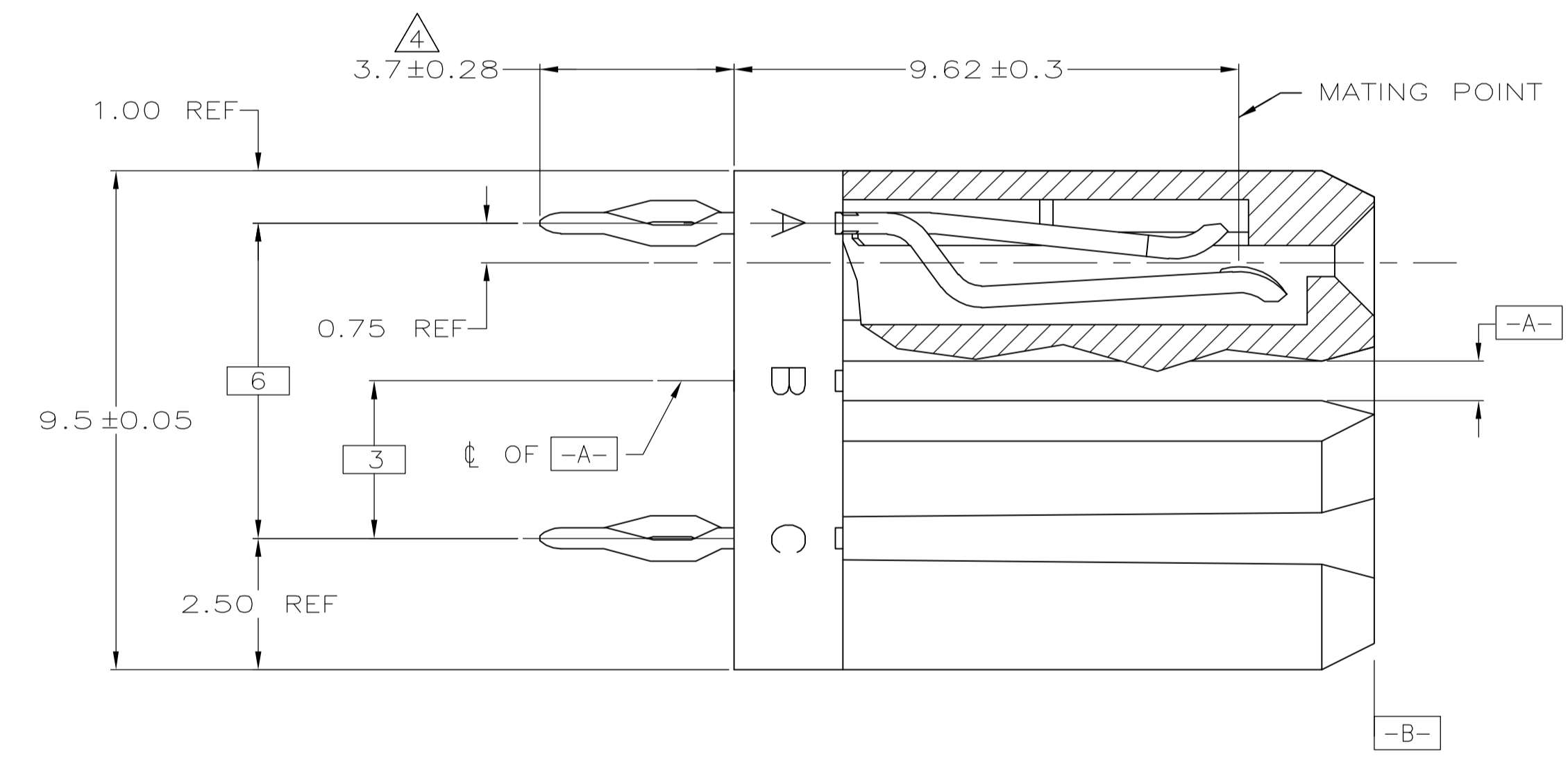


LOC		DIST		REVISIONS				
AD	00	REV	PER	ECO	NO	DATE	BY	APP'D
D1		REV	PER	ECO-07-002646		02MAR2007	BC	RP



- 1 MATERIAL: HOUSING: POLYESTER. COLOR: GREY. UL 94V-0. CONTACT: PHOSPHOR BRONZE.
- 2 FINISH: CONTACT MATING AREA: 1.27µm MIN GOLD OR 0.08µm MIN GOLD OVER 0.76µm MIN PALLADIUM-NICKEL. ACTION PIN AREA: 0.5µm MIN TIN LEAD PLATE, ALL OVER 1.27µm MIN NICKEL UNDERPLATE.
- 3 FINISH: CONTACT LUBRICATION WITH BELLCORE APPROVED LUBRICANT. TECHNICAL REFERENCE: TR-NWT-001217 ISSUE 1, SEPT 1992.
- 4 DIMENSION APPLIES AFTER CONNECTOR IS APPLIED TO P.C. BOARD.
- 5 REFERENCE APPLICATION SPEC 114-1103 FOR RECOMMENDED PLATED THRU HOLE DIAMETER AND PLATING THICKNESSES.
- 6 CURRENT RATING 10A/CONTACT PER PRODUCT SPEC 108-1651.



RECOMMENDED PCB HOLE LAYOUT

223984-1
PART NUMBER

THIS DRAWING IS A CONTROLLED DOCUMENT.		DIN T. SHUEY 12-11-98		Tyco Electronics Corporation Harrisburg, PA 17105-3608	
DIMENSIONS: mm		CHK R. PATTERSON 12-11-98		NAME R. PATTERSON 12-11-98	
TOLERANCES UNLESS OTHERWISE SPECIFIED:		PRODUCT SPEC		APPLICATION SPEC	
0 PLC ± - 1 PLC ± 0.13 2 PLC ± 0.13 3 PLC ± - 4 PLC ± - ANGLES ± -		SIZE A1		CAGE CODE 00779	
MATERIAL 1		FINISH 2, 3		DRAWING NO. 223984	
CUSTOMER DRAWING		SCALE 10:1		SHEET 1 OF 1	