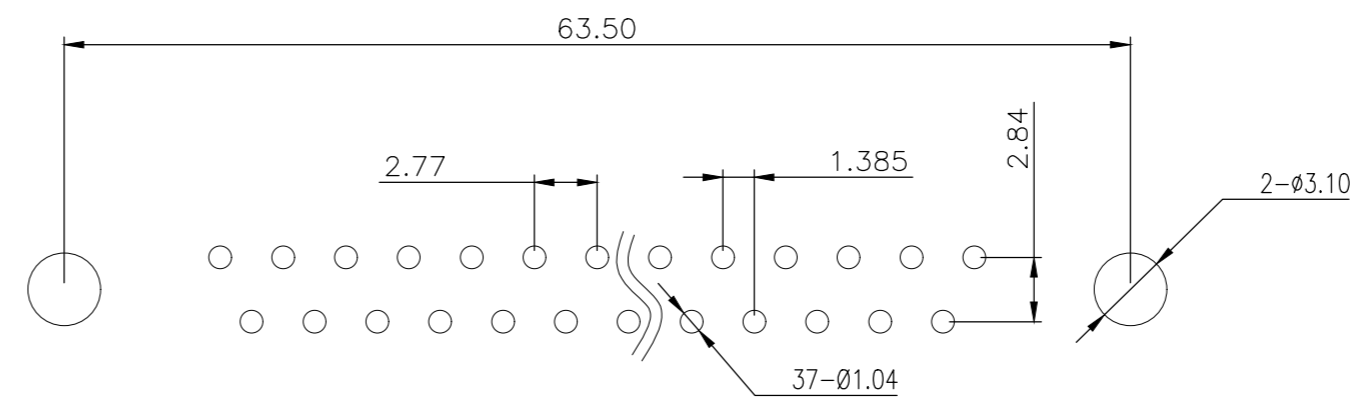
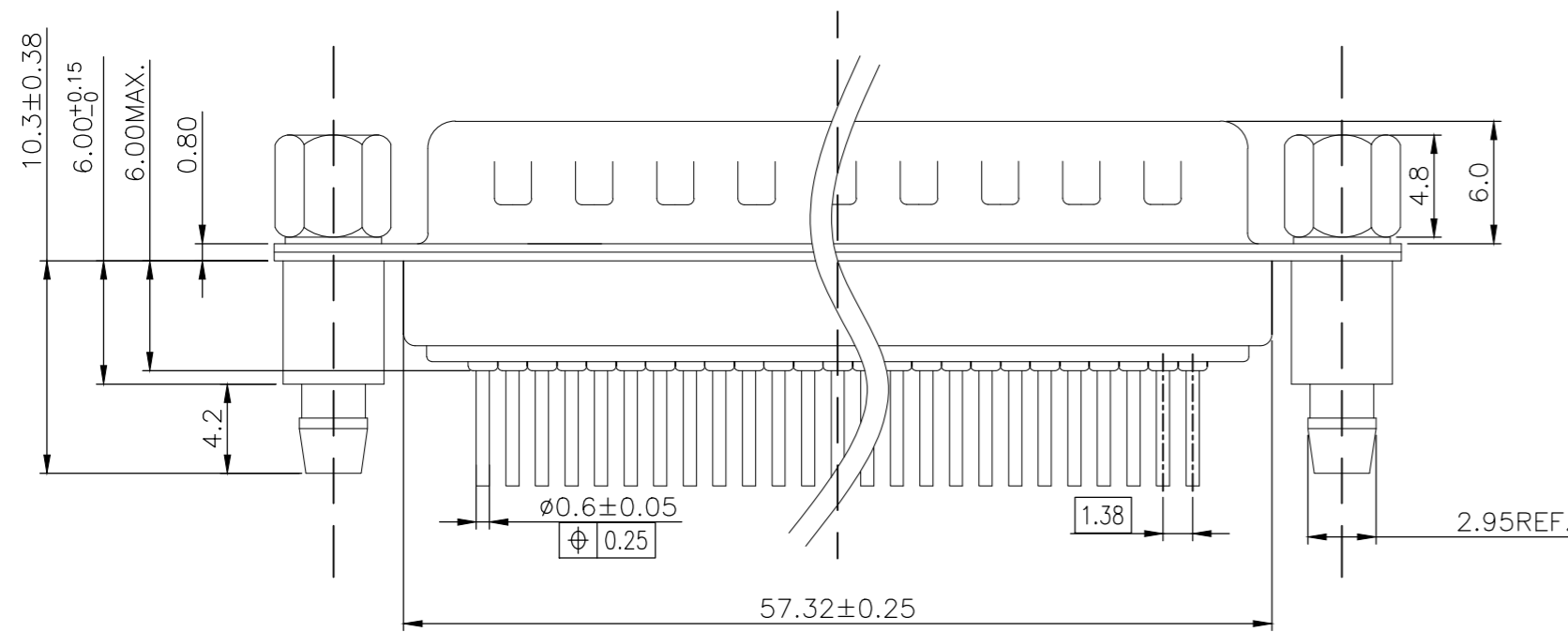
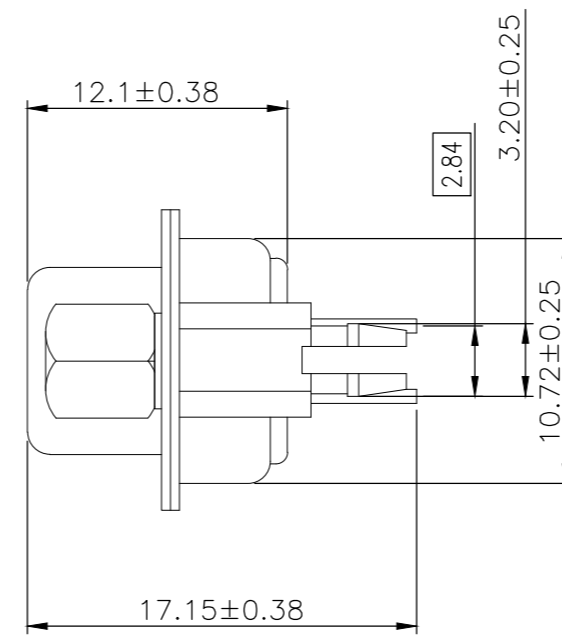
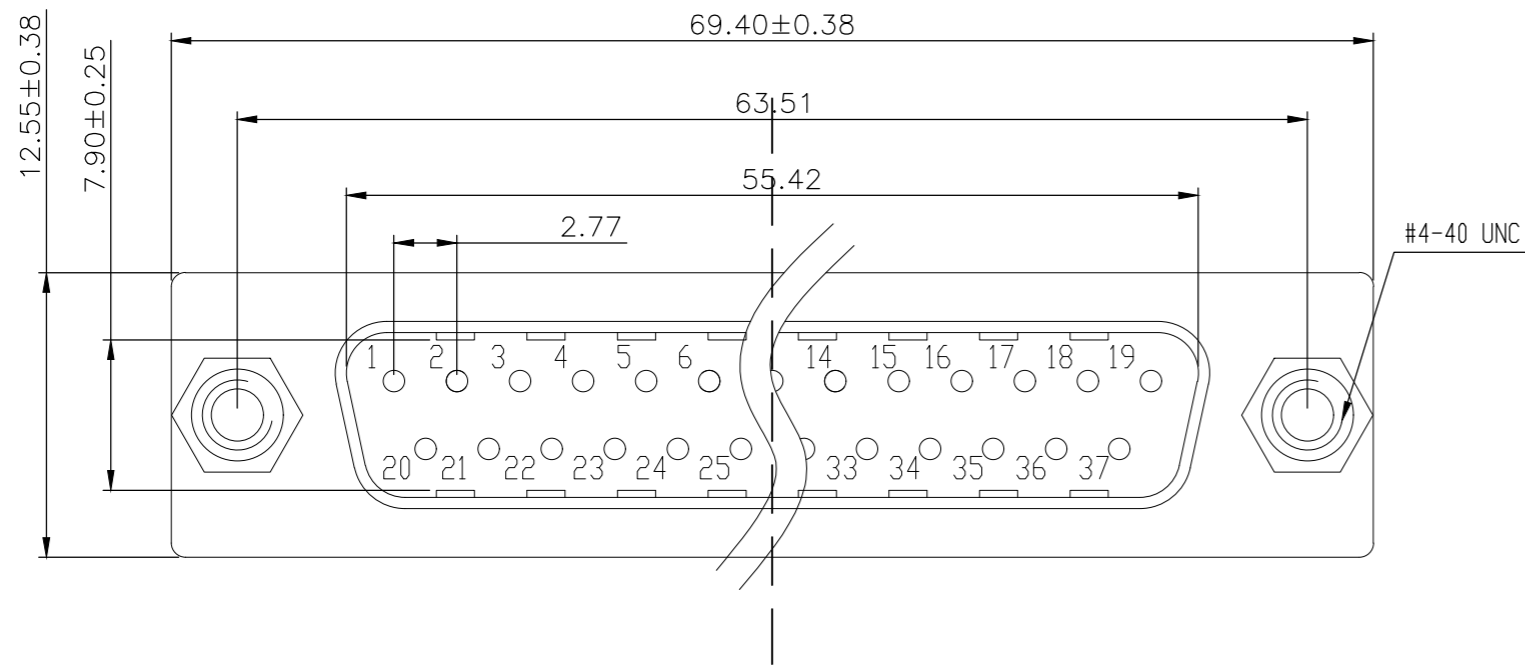


THIS DRAWING IS UNPUBLISHED. RELEASED FOR PUBLICATION
 © COPYRIGHT - By - ALL RIGHTS RESERVED.

REVISIONS				
P	LTR	DESCRIPTION	DATE	APVD
D		REVISED PER ECO-18-001882	12FEB2018	AP DG

NOTE:

- MATERIAL:
 HOUSING: PBT WITH 20% GF UL 94 V-0, BLACK COLOR
 CONTACTS: BRASS.
 SHELL: STEEL.
 SCREW: BRASS.
 SCREW LOCK: BRASS.
 SCREW TORQUE: 5kgf-cm MAX.
- FINISH:
 CONTACTS: GOLD PLATED ON CONTACT AREA,
 0.375μm [15μ"] MIN. MATTE TIN ON SOLDER TAIL
 2.54μm [100μ"], WITH ENTIRE CONTACT
 UNDERPLATED 1.27μm [50μ"] MIN. NICKEL.
 FRONT SHELL: 2.54μm [100μ"] MIN. NICKEL PLATED.
 REAR SHELL: 1.27μm [50μ"] MIN NICKEL UNDERPLATE.
 2.54μm [100μ"] MIN BRIGHT TIN PLATE
 SCREW LOCK: 1.27μm [50μ"] MIN. NICKEL PLATED.
 BOARDLOCK: 1.27μm [50μ"] MIN NICKEL UNDERPLATE
 1.27μm [50μ"] MIN MATTE TIN PLATE
- WAVE SOLDER CAPABLE TO 265°C PER TE TEST SPEC.
 109-202, CONDITION B.



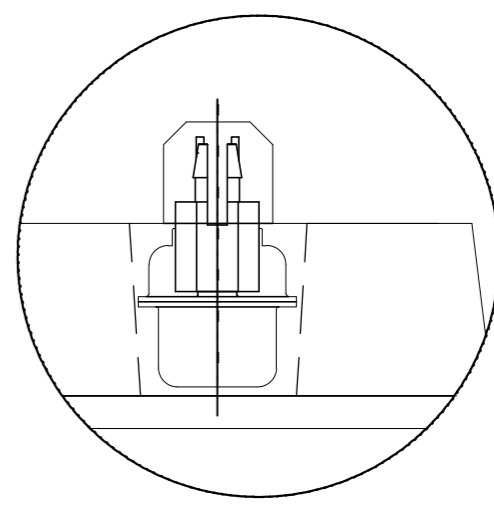
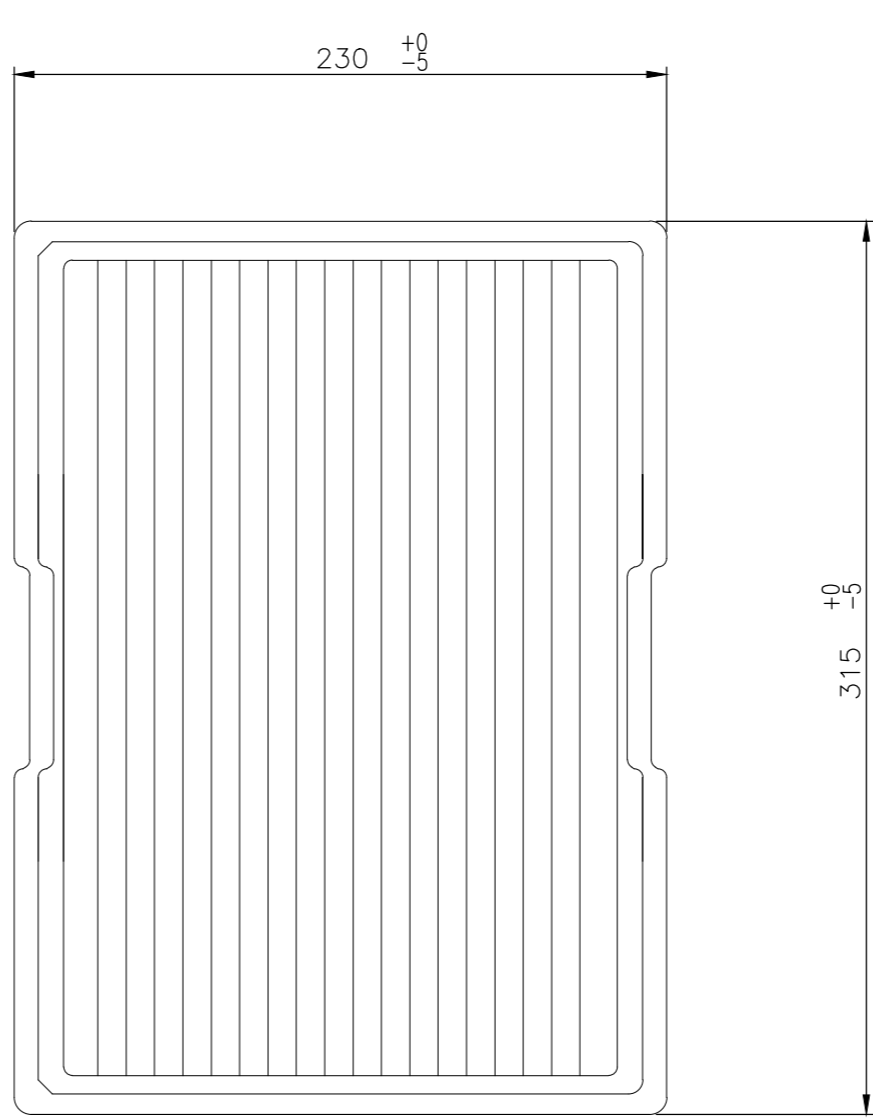
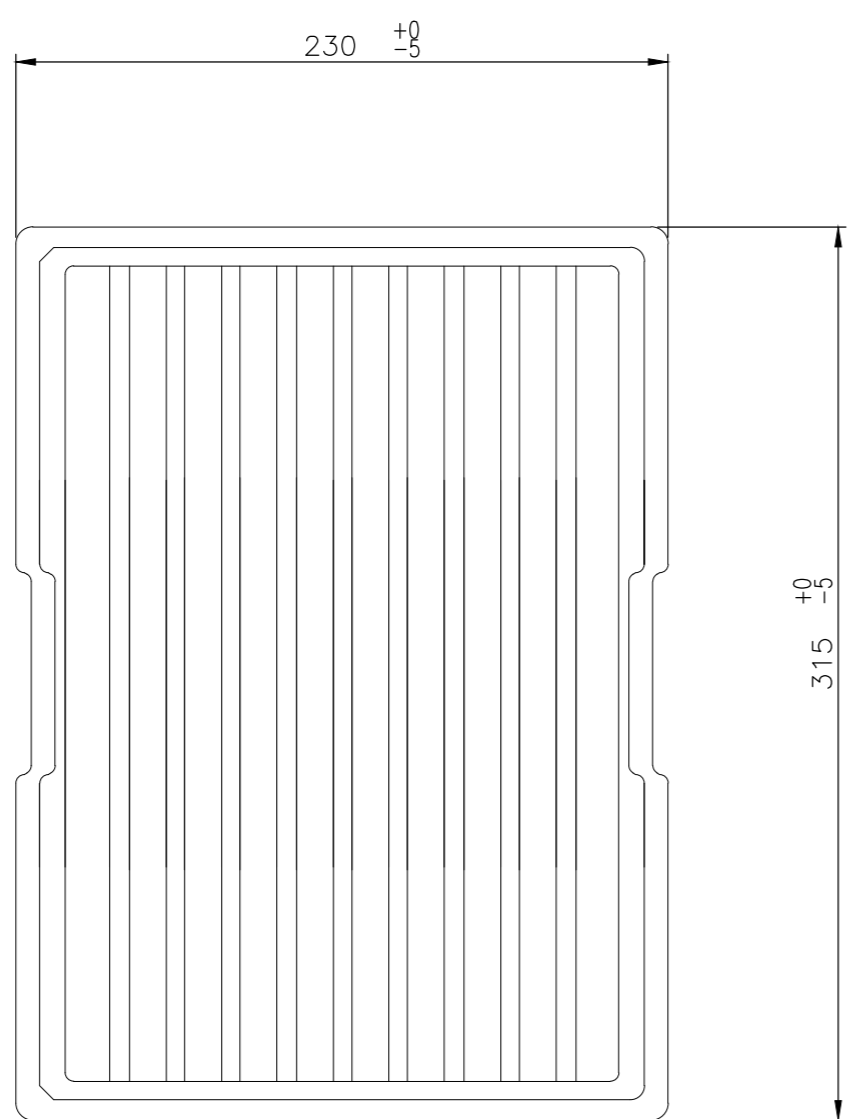
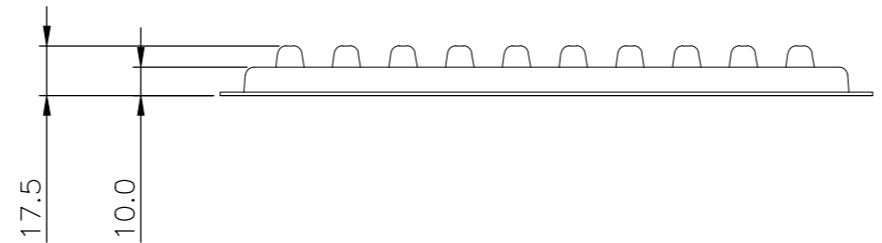
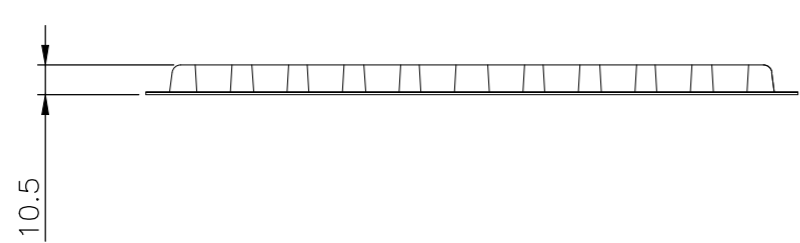
RECOMMENDED PCB LAYOUT

THIS DRAWING IS A CONTROLLED DOCUMENT.		DWN	AJITH PAI	06FEB2017
DIMENSIONS:		CHK	DAN GORENC	06FEB2017
mm	TOLERANCES UNLESS OTHERWISE SPECIFIED:	APVD	-	06FEB2017
	0 PLC	±	-	PRODUCT SPEC
	1 PLC	±	0.25	108-130013
	2 PLC	±	0.15	APPLICATION SPEC
	3 PLC	±	0.10	-
MATERIAL	FINISH	WEIGHT	0	CUSTOMER DRAWING
-	-	SCALE	3:1	SHEET 1 of 3
		REV	D	

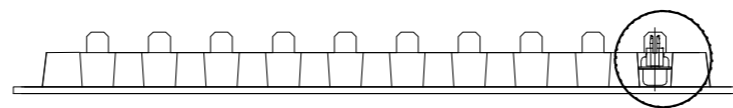
37w D plg W B/L & 4-40 s/lock 15u" gold		2301836-1	
DESCRIPTION		TE PART NO	
TE TE Connectivity			
NAME			
D-SUB HD20 VERTICAL 37P PLUG CONNECTOR			
SIZE	CAGE CODE	DRAWING NO	RESTRICTED TO
A2	00779	C=2301836	-
SCALE		SHEET	REV
3:1		1 of 3	D

THIS DRAWING IS UNPUBLISHED. RELEASED FOR PUBLICATION
 © COPYRIGHT - By - ALL RIGHTS RESERVED.

REVISIONS					
P	LTR	DESCRIPTION	DATE	DWN	APVD
-	-	SEE SHEET 1	-	-	-



DETAIL A

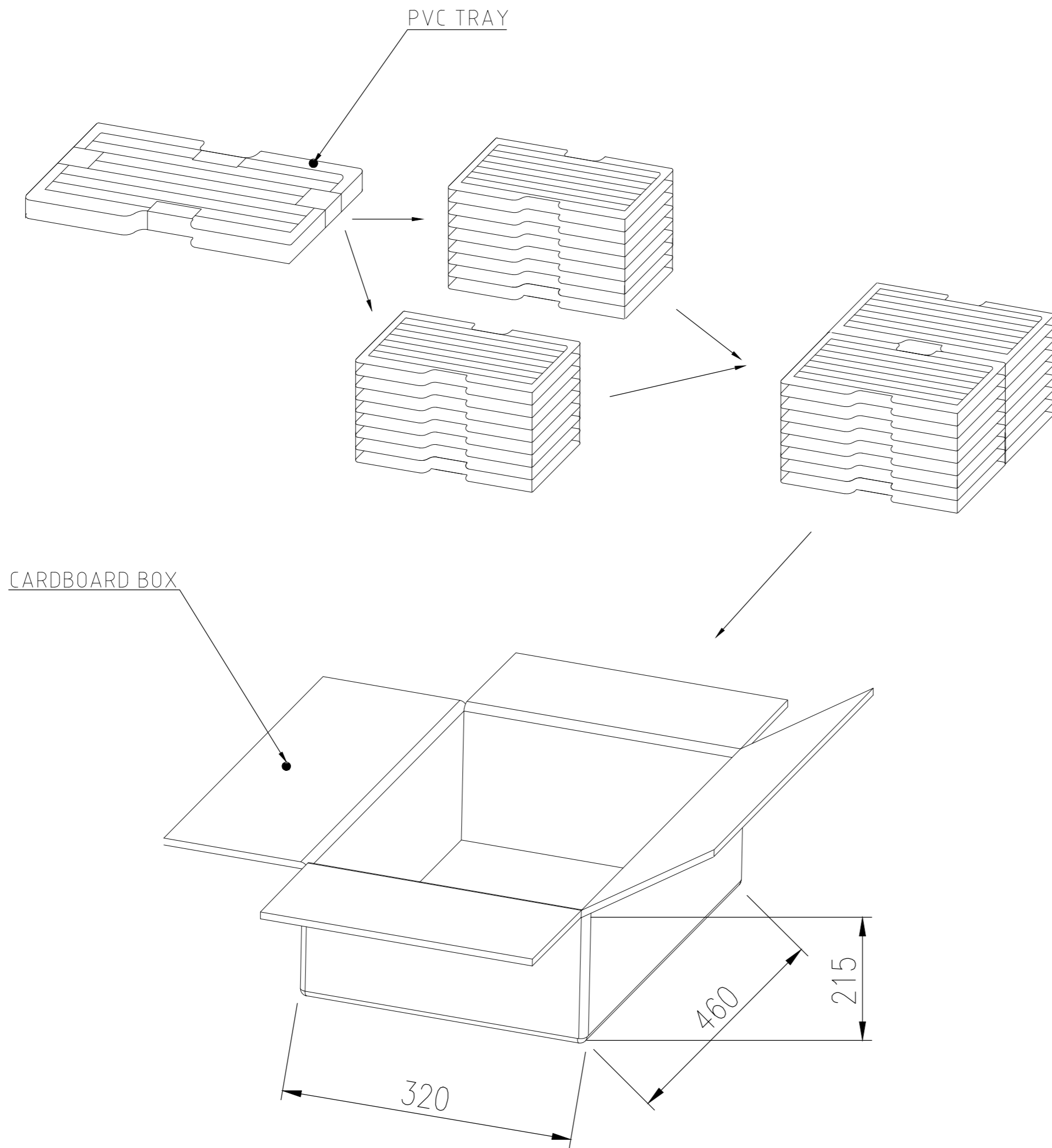


SEE DETAIL A

THIS DRAWING IS A CONTROLLED DOCUMENT.		DWN AJITH PAI 06FEB2017			
		CHK DAN GORENC 06FEB2017			
		APVD - 06FEB2017	NAME		
DIMENSIONS: mm		PRODUCT SPEC 108-130013	D-SUB VERTICAL 37P PLUG CONNECTOR		
TOLERANCES UNLESS OTHERWISE SPECIFIED:		APPLICATION SPEC	SIZE A2	CAGE CODE 00779	DRAWING NO C=2301836
0 PLC ± -		WEIGHT 0	RESTRICTED TO		-
1 PLC ± 0.25		CUSTOMER DRAWING			
2 PLC ± 0.15		SCALE 1:1	SHEET 2 of 3	REV D	
3 PLC ± 0.10					
4 PLC ± -					
ANGLES ± 2°					
MATERIAL -					
FINISH -					

THIS DRAWING IS UNPUBLISHED. RELEASED FOR PUBLICATION
 © COPYRIGHT - By - ALL RIGHTS RESERVED.

REVISIONS					
P	LTR	DESCRIPTION	DATE	DWN	APVD
-	-	SEE SHEET 1	-	-	-



14.979	12.400	40	20	800	2301836-1
GROSS WEIGHT (kg)	NET WEIGHT (kg)	PCS/TRAY	TRAYS /CARTON	QUANTITY Pcs	PART NUMBER

THIS DRAWING IS A CONTROLLED DOCUMENT.		DWN 06FEB2017 AJITH PAI	 TE Connectivity D-SUB VERTICAL 37P PLUG CONNECTOR			
DIMENSIONS: mm		CHK 06FEB2017 DAN GORENC				NAME
TOLERANCES UNLESS OTHERWISE SPECIFIED:		APVD 06FEB2017 -				PRODUCT SPEC 108-130013
0 PLC ± - 1 PLC ± 0.25 2 PLC ± 0.15 3 PLC ± 0.10 4 PLC ± - ANGLES ± 2°		APPLICATION SPEC -				SIZE A2
MATERIAL -	FINISH -	WEIGHT 0	CAGE CODE 00779	DRAWING NO C=2301836	RESTRICTED TO -	
CUSTOMER DRAWING			SCALE 1:1	SHEET 3 of 3	REV D	

2301836