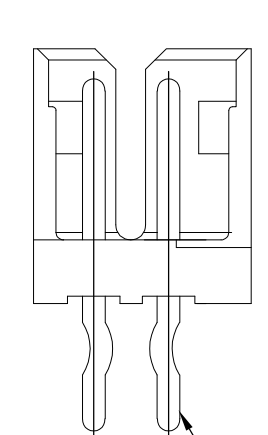
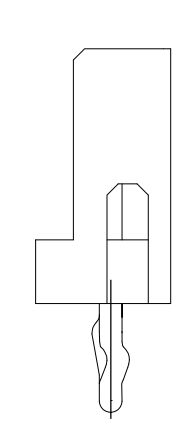
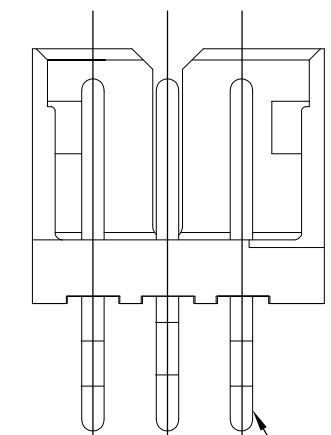
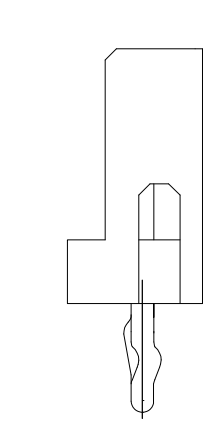
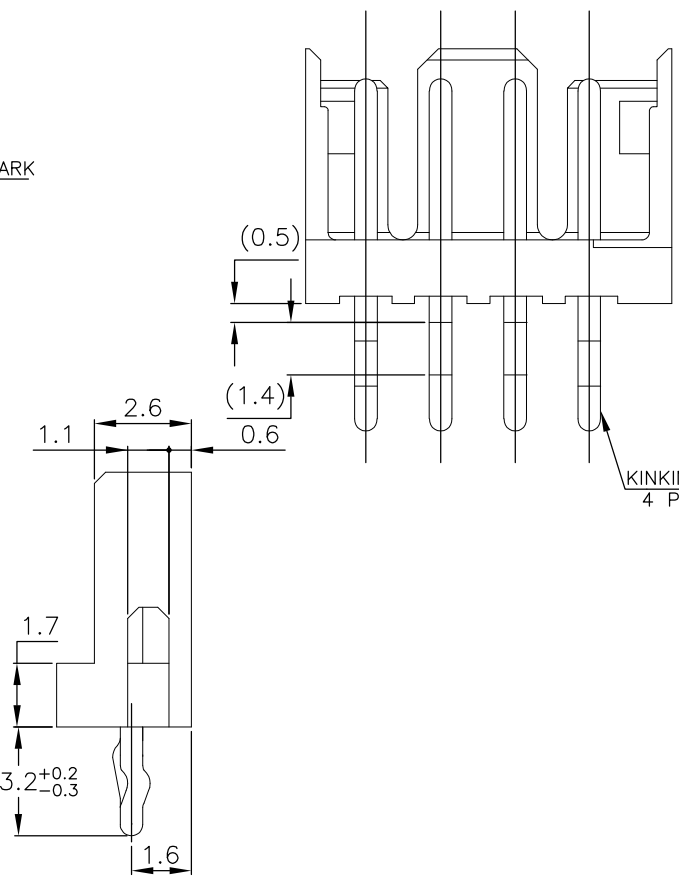
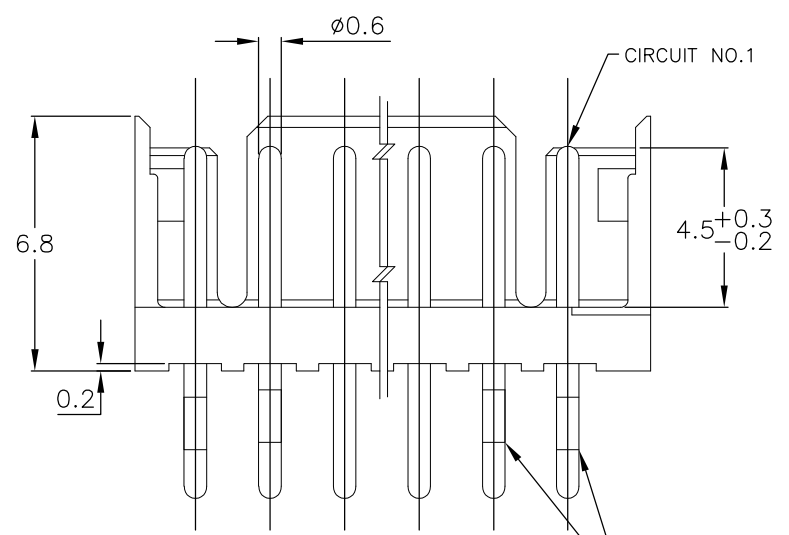
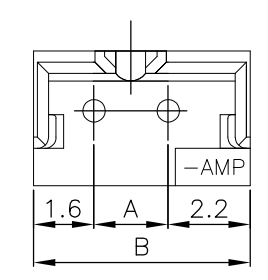
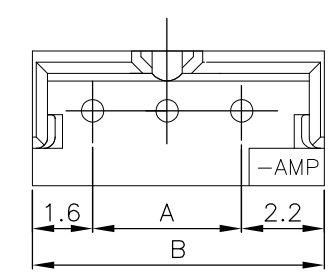
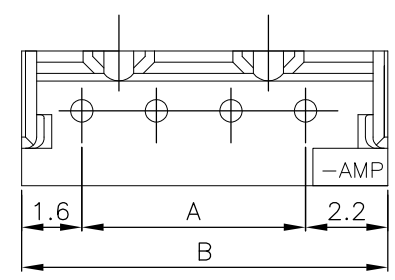
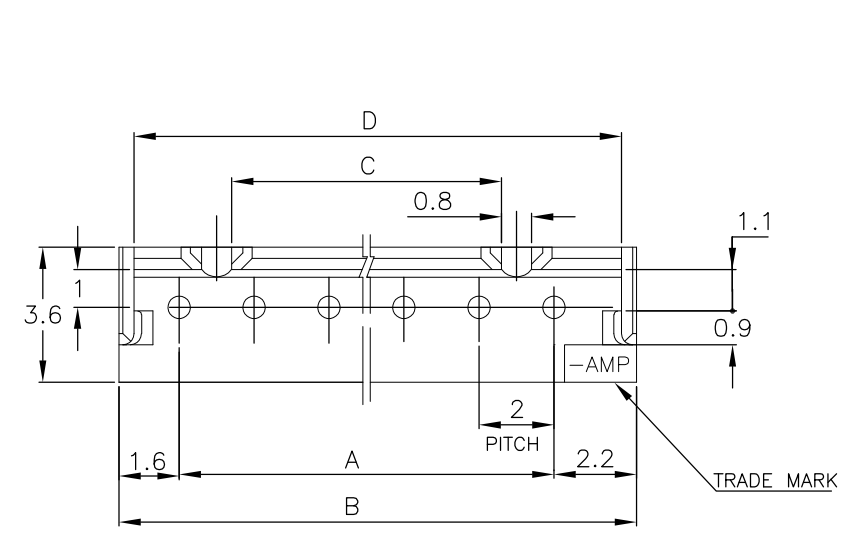


THIS DRAWING IS UNPUBLISHED. RELEASED FOR PUBLICATION  
 © COPYRIGHT - By - ALL RIGHTS RESERVED.

|     |      |           |     |                           |         |     |      |
|-----|------|-----------|-----|---------------------------|---------|-----|------|
| LOC | DIST | REVISIONS |     |                           |         |     |      |
| FB  | 00   | P         | LTR | DESCRIPTION               | DATE    | DWN | APVD |
|     |      | P         |     | REVISED PER ECO-11-005033 | 24MAR11 | RK  | HMR  |



4 POS.

3 POS.

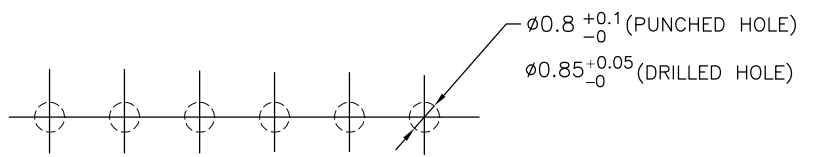
2 POS.

5~15 Pos.

NOTES:

- 1.MATERIAL: HOUSING - NYLON 66 (UL94V-0)  
POST - TIN BRASS
- 2.APPLICABLE RECEPTACLE P/N 173977

|            |            |            |            |            |      |    |      |      |      |
|------------|------------|------------|------------|------------|------|----|------|------|------|
|            | 7-292161-5 | 5-292161-5 | 3-292161-5 | 1-292161-5 | 15   | 28 | 31.8 | 25.2 | 31.0 |
|            | 7- ↑ -4    | 5- ↑ -4    | 3- ↑ -4    | 1- ↑ -4    | 14   | 26 | 29.8 | 23.2 | 29.0 |
|            | 7- -3      | 5- -3      | 3- -3      | 1- -3      | 13   | 24 | 27.8 | 21.2 | 27.0 |
| 9-292161-2 | 7- -2      | 5- -2      | 3- -2      | 1- -2      | 12   | 22 | 25.8 | 19.2 | 25.0 |
| 9- ↑ -1    | 7- -1      | 5- -1      | 3- -1      | 1- -1      | 11   | 20 | 23.8 | 17.2 | 23.0 |
| 9- -0      | 7- -0      | 5- -0      | 3- -0      | 1- -0      | 10   | 18 | 21.8 | 15.2 | 21.0 |
| 8- -9      | 6- -9      | 4- -9      | 2- -9      |            | 9    | 16 | 19.8 | 13.2 | 19.0 |
| 8- -8      | 6- -8      | 4- -8      | 2- -8      |            | 8    | 14 | 17.8 | 11.2 | 17.0 |
| 8- -7      | 6- -7      | 4- -7      | 2- -7      |            | 7    | 12 | 15.8 | 9.2  | 15.0 |
| 8- -6      | 6- -6      | 4- -6      | 2- -6      |            | 6    | 10 | 13.8 | 7.2  | 13.0 |
| 8- -5      | 6- -5      | 4- -5      | 2- -5      |            | 5    | 8  | 11.8 | 5.2  | 11.0 |
| 8- -4      | 6- -4      | 4- -4      | 2- -4      |            | 4    | 6  | 9.8  | 3.2  | 9.0  |
| 8- ↓ -3    | 6- ↓ -3    | 4- ↓ -3    | 2- ↓ -3    |            | 3    | 4  | 7.8  | -    | 7.0  |
| 8-292161-2 | 6-292161-2 | 4-292161-2 | 2-292161-2 | 292161-2   | 2    | 2  | 5.8  | -    | 5.0  |
| RED        | BLACK      | YELLOW     | BLUE       | NATURAL    | Pos. | A  | B    | C    | D    |



2.0±0.1 PITCH  
 NOT ACCUMULATED TOLERANCE  
 RECOMMENDABLE PCB LAYOUT  
 (PCB THK:0.8-1.6)

TOLERANCES UNLESS OTHERWISE SPECIFIED:

|              |         |
|--------------|---------|
| 10 > *       | : ±0.2  |
| 30 > * > 10  | : ±0.25 |
| 100 > * > 30 | : ±0.3  |
| ANGLE        | : ±3°   |

THIS DRAWING IS A CONTROLLED DOCUMENT.

|             |  |
|-------------|--|
| DIMENSIONS: | TOLERANCES UNLESS OTHERWISE SPECIFIED: |
| mm          | 0 PLC ± -                              |
|             | 1 PLC ± -                              |
|             | 2 PLC ± -                              |
|             | 3 PLC ± -                              |
|             | 4 PLC ± -                              |
|             | ANGLES ± -                             |
| MATERIAL    | FINISH                                 |
| SEE NOTE    | SEE NOTE                               |

STE TE Connectivity

POST HEADER ASS'Y VERTICAL TYPE  
 (AMP CT CONNECTOR 2mm PITCH)

108-60016

APVD T. SASAKI

SIZE CAGE CODE DRAWING NO RESTRICTED TO

A3 00779 C-292161

CUSTOMER DRAWING SCALE 5:1 SHEET 1 OF 1 REV P