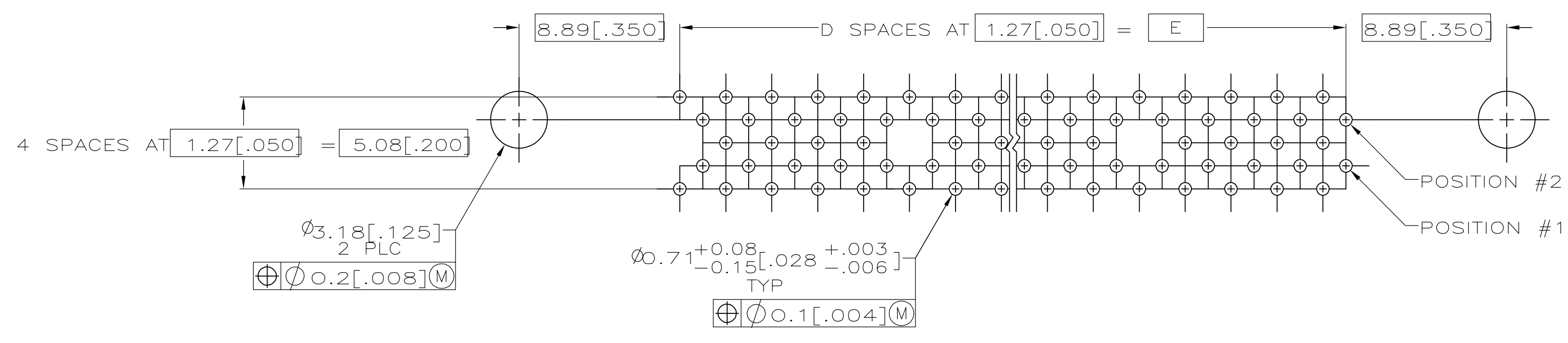
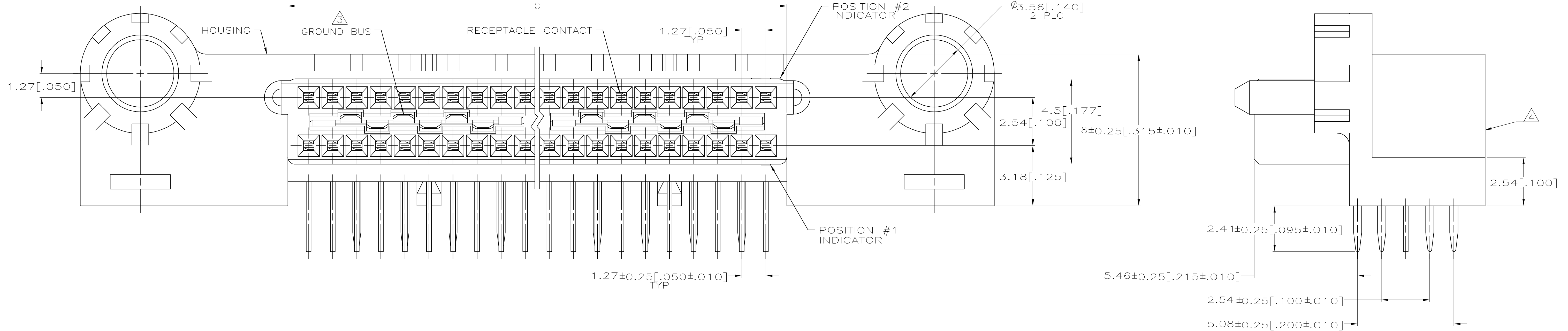


- ① MOLDED PARTS: HIGH TEMPERATURE THERMOPLASTIC, COLOR NATURAL.
RECEPTACLE CONTACTS: PHOSPHOR BRONZE.
GROUND BUSES: PHOSPHOR BRONZE.
- ② RECEPTACLE CONTACTS: 0.00076[.000030] MIN GOLD IN CONTACT AREA, 0.00254-0.00762[.000100-.000300] TIN-LEAD ON SOLDER TAIL, ALL OVER 0.00127-0.00254[.000050-.000100] NICKEL ON ENTIRE CONTACT.
GROUND BUSES: 0.00076[.000030] MIN GOLD IN CONTACT AREA, 0.00254-0.00762[.000100-.000300] TIN-LEAD ON SOLDER TAIL, ALL OVER 0.00127-0.00254[.000050-.000100] NICKEL ON ENTIRE BUS.
- ③ ONE GROUND BUS WITH 4 TAILS PER EACH 20 RECEPTACLE CONTACTS.
- ④ ASSEMBLIES 140 POSITIONS OR SMALLER HAVE A ONE PIECE ORGANIZER. ASSEMBLIES 160 POSITIONS OR LARGER HAVE MULTIPLE ORGANIZERS OF 40 AND/OR 60 POSITIONS.



RECOMMENDED PC BOARD HOLE LAYOUT
(VIEWED FROM CONNECTOR SIDE)

	24.13[.950]	19	26.34[1.037]	41.91[1.650]	48.26[1.900]	40	536296-9
	151.13[5.950]	119	153.34[6.037]	168.91[6.650]	175.26[6.900]	240	536296-8
OBSOLETE	138.43[5.450]	109	140.64[5.537]	156.21[6.150]	162.56[6.400]	220	536296-7
OBSOLETE	125.73[4.950]	99	127.94[5.037]	143.51[5.650]	149.86[5.900]	200	536296-6
OBSOLETE	113.03[4.450]	89	115.24[4.537]	130.81[5.150]	137.16[5.400]	180	536296-5
OBSOLETE	100.33[3.950]	79	102.54[4.037]	118.11[4.650]	124.46[4.900]	160	536296-4
	87.63[3.450]	69	89.84[3.537]	105.41[4.150]	111.76[4.400]	140	536296-3
OBSOLETE	74.93[2.950]	59	77.14[3.037]	92.71[3.650]	99.06[3.900]	120	536296-2
OBSOLETE	62.23[2.450]	49	64.44[2.537]	80.01[3.150]	86.36[3.400]	100	536296-1
	E	D	C	B	A	NO OF POS	PART NUMBER

THIS DRAWING IS A CONTROLLED DOCUMENT.

DIMENSIONS: mm [INCHES]	TOLERANCES UNLESS OTHERWISE SPECIFIED:	DWN J.GERACE 11-30-92		Tyco Electronics Corporation Harrisburg, PA 17105-3608																																													
<table border="1"> <tr><td>0 PLC</td><td>±</td><td>-</td></tr> <tr><td>1 PLC</td><td>±</td><td>-</td></tr> <tr><td>2 PLC</td><td>±</td><td>-</td></tr> <tr><td>3 PLC</td><td>±</td><td>0.13[.005]</td></tr> <tr><td>4 PLC</td><td>±</td><td>-</td></tr> <tr><td>ANGLES</td><td>±</td><td>-</td></tr> <tr><td>FINISH</td><td>-</td><td>-</td></tr> </table>	0 PLC	±		-	1 PLC	±	-	2 PLC	±	-	3 PLC	±	0.13[.005]	4 PLC	±	-	ANGLES	±	-	FINISH	-	-	<table border="1"> <tr><td>DRW</td><td>11-30-92</td></tr> <tr><td>CHK</td><td>11-30-92</td></tr> <tr><td>APP'D</td><td>11-30-92</td></tr> <tr><td>NAME</td><td></td></tr> <tr><td>PRODUCT SPEC</td><td></td></tr> <tr><td>APPLICATION SPEC</td><td></td></tr> <tr><td>SIZE</td><td></td></tr> <tr><td>WEIGHT</td><td></td></tr> <tr><td>CUSTOMER DRAWING</td><td></td></tr> </table>	DRW	11-30-92	CHK	11-30-92	APP'D	11-30-92	NAME		PRODUCT SPEC		APPLICATION SPEC		SIZE		WEIGHT		CUSTOMER DRAWING		<table border="1"> <tr><td>108-1272</td></tr> <tr><td>A1</td></tr> <tr><td>00779</td></tr> <tr><td>536296</td></tr> </table>	108-1272	A1	00779	536296	<table border="1"> <tr><td>RECEPTACLE ASSEMBLY WITH GUIDES, RIGHT ANGLE, 2.41[.095] TAIL, BOARD TO</td></tr> <tr><td>RESTRICTED TO</td></tr> <tr><td>SCALE 10:1 SHEET 1 OF 1 REV L</td></tr> </table>	RECEPTACLE ASSEMBLY WITH GUIDES, RIGHT ANGLE, 2.41[.095] TAIL, BOARD TO	RESTRICTED TO
0 PLC	±	-																																															
1 PLC	±	-																																															
2 PLC	±	-																																															
3 PLC	±	0.13[.005]																																															
4 PLC	±	-																																															
ANGLES	±	-																																															
FINISH	-	-																																															
DRW	11-30-92																																																
CHK	11-30-92																																																
APP'D	11-30-92																																																
NAME																																																	
PRODUCT SPEC																																																	
APPLICATION SPEC																																																	
SIZE																																																	
WEIGHT																																																	
CUSTOMER DRAWING																																																	
108-1272																																																	
A1																																																	
00779																																																	
536296																																																	
RECEPTACLE ASSEMBLY WITH GUIDES, RIGHT ANGLE, 2.41[.095] TAIL, BOARD TO																																																	
RESTRICTED TO																																																	
SCALE 10:1 SHEET 1 OF 1 REV L																																																	